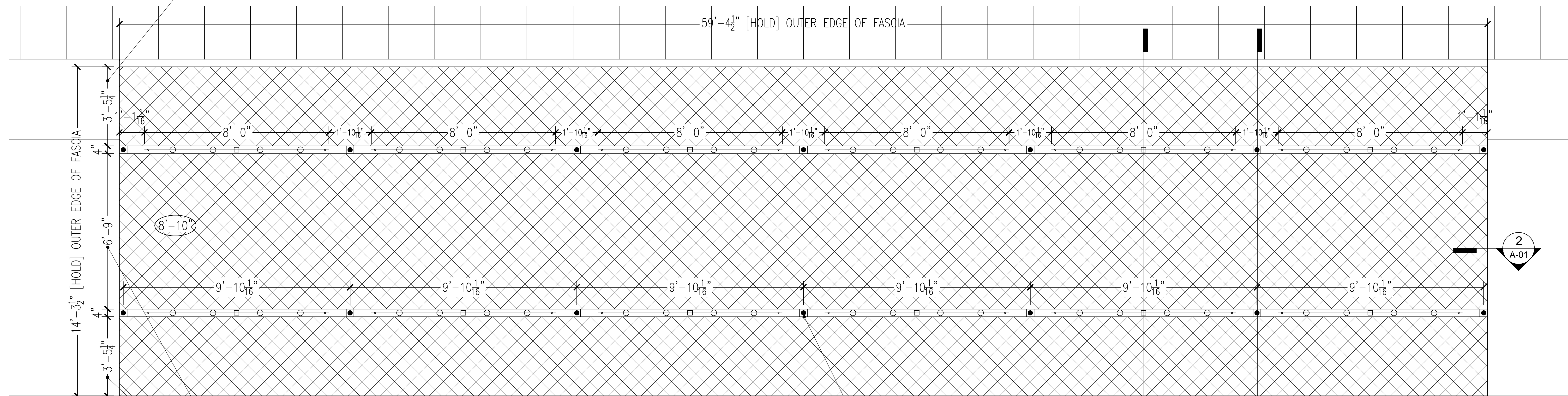


OUTER EDGE OF TROUGH TO OUTER EDGE OF FASCIA

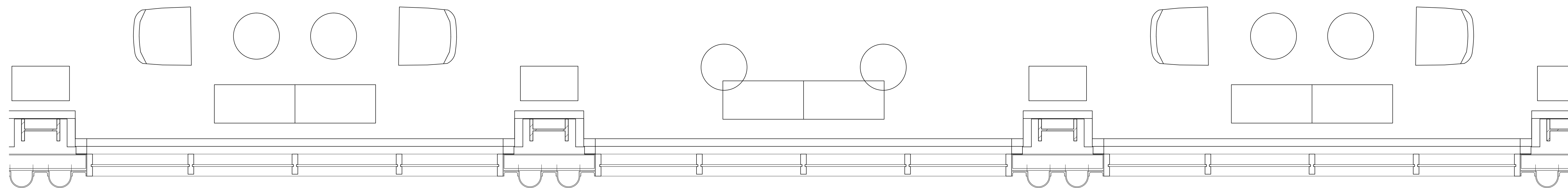
59'-4 1/2" [HOLD] OUTER EDGE OF FASCIA



OUTER EDGE OF TROUGH TO OUTER EDGE OF TROUGH

OUTER EDGE OF TROUGH TO OUTER EDGE OF FASCIA

TYP 4"x4" SPRINKLER
INFILL PANEL

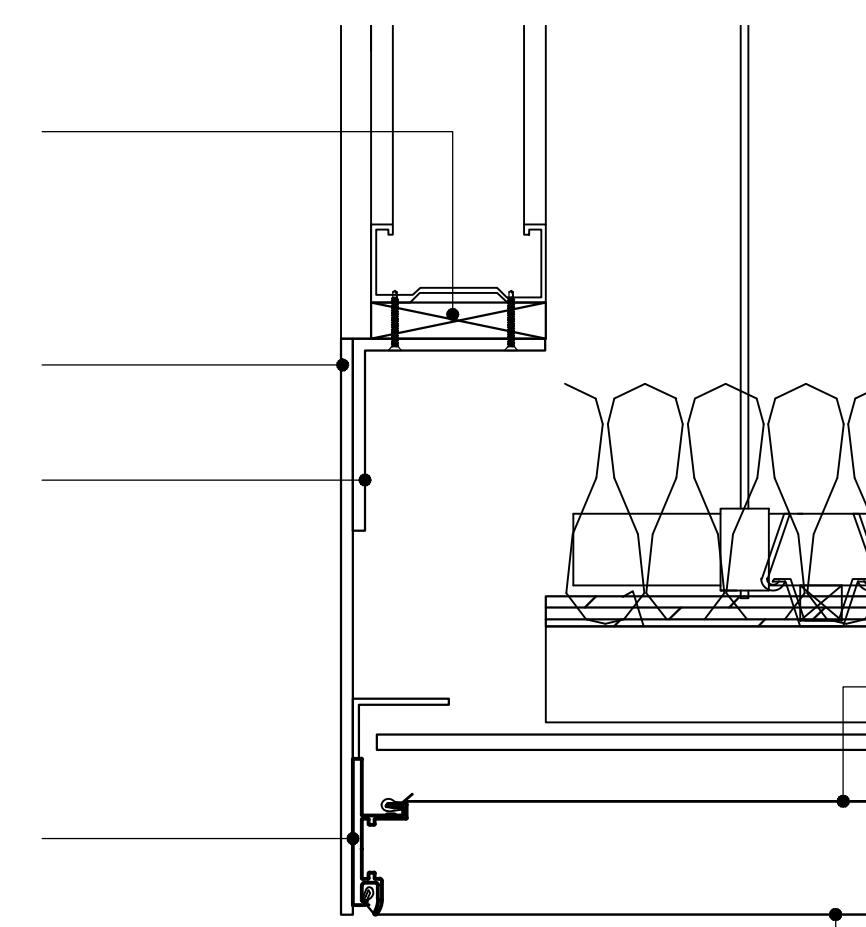


1 PARTIAL RCP @ EXHIBIT
SCALE: 1/2" = 1'-0"

3/4" PLYWOOD BLOCKING (BY OTHERS)

1/4"x12" ALUMINUM FASCIA
1/4"x4"x4" ALUMINUM L ANGLE

NEWMAT 2LS ALUMINUM



2 CEILING SECTION
SCALE: 3" = 1'-0"

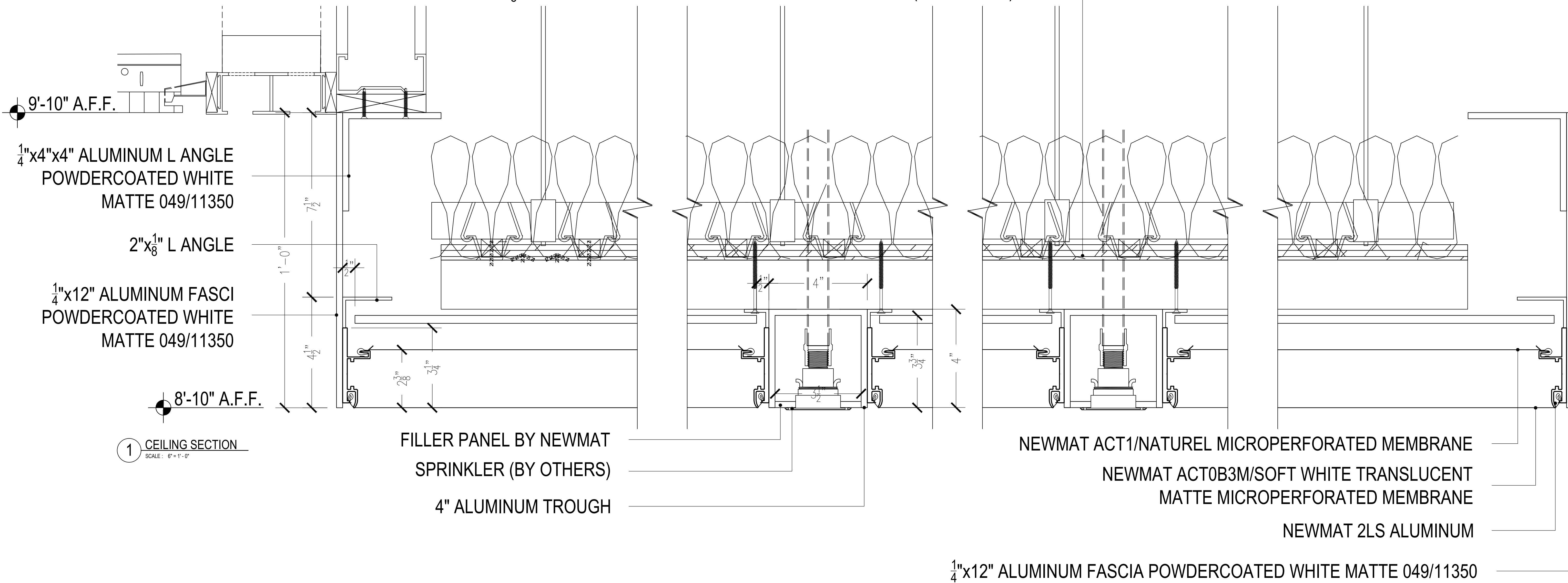
NEWMAT ACT1/NATUREL
MICROPERFORATED MEMBRANE

NEWMAT ACT0B3M/SOFT WHITE TRANSLUCENT
MATTE MICROPERFORATED MEMBRANE

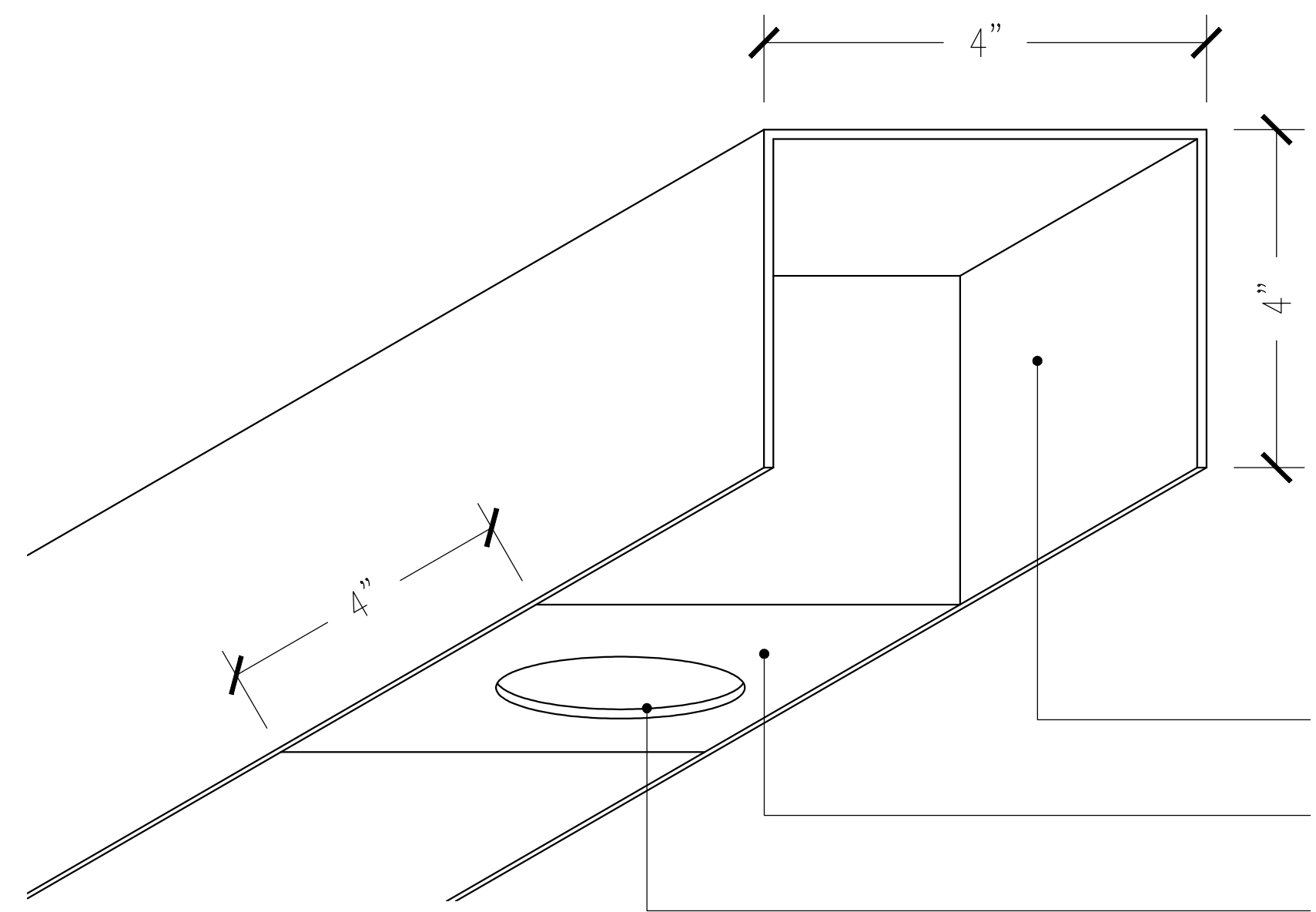
NOTES:
1) ALL DIMENSIONS AND LOCATIONS MUST BE V.I.F. PRIOR TO NEWMAT FABRICATION AND INSTALLATION.
2) ALL DRYWALL APPLICATIONS REQUIRE 12" CONTINUOUS 16GA (MINIMUM) METAL STRAPPING REINFORCEMENT BEHIND DRYWALL AT ALL NEWMAT ATTACHMENT LOCATIONS.
3) ALL "BLOCKING BY OTHERS", MUST BE CONTINUOUS, STRAIGHT, LEVEL AND/OR PLUMB AND ABLE TO WITHSTAND 30LBS. PER LINEAR FOOT OF LATERAL TENSION WHICH WILL BE EXERTED BY EACH LAYER OF MEMBRANE.

<p>NOTICE: THESE DRAWINGS WERE PRODUCED BY AND ARE THE SOLE PROPERTY OF NEWMAT USA LTD ANY AND ALL INFORMATION CONTAINED HEREIN SHALL NOT BE USED BY ANY OTHER PERSON OR COMPANY WITHOUT THE EXPRESSED WRITTEN CONSENT OF NEWMAT USA LTD. THE DRAWINGS MAY HAVE BEEN BASED ON CONSTRUCTION DRAWINGS NOT PREPARED BY NEWMAT USA LTD. THEREFORE MAY NOT REPRESENT THE CONDITIONS AS CONSTRUCTED AT THAT TIME.</p>				<p>81 MAHAN STREET, WEST BABYLON, NY 11704 TEL. (631) 261 1498 FAX (631) 261 1756</p>		<p>Scale: AS NOTED</p>	<p>Drawn By: R.K. Checked By:</p>	
<p>NEWMAT NORTHEAST CORP. <i>newmat</i> STRETCH CEILING SYSTEMS</p>	#	REVISIONS:	Drawn By	Checked By	Job Title:	Customer Name:	Job Number:	Date:
	A	8/25/2015	R.K.	R.K.	PARTIAL RCP	330 HUDSON	13-000	8/21/2015
	B	9/23/2015	R.K.	R.K.				
	C	10/9/2015	R.K.	R.K.				
	D							
E								

5/8" PLYWOOD BLOCKING W/ CUTOUTS FOR J-BOXES (BY OTHERS)



1 CEILING SECTION
SCALE: 6" = 1'-0"



2 ISO VIEW OF SPRINKLER FILER PANEL
SCALE: NTS

ALUMINUM TROUGH
CUTOUT FOR SPRINKLER
FILLER PANEL

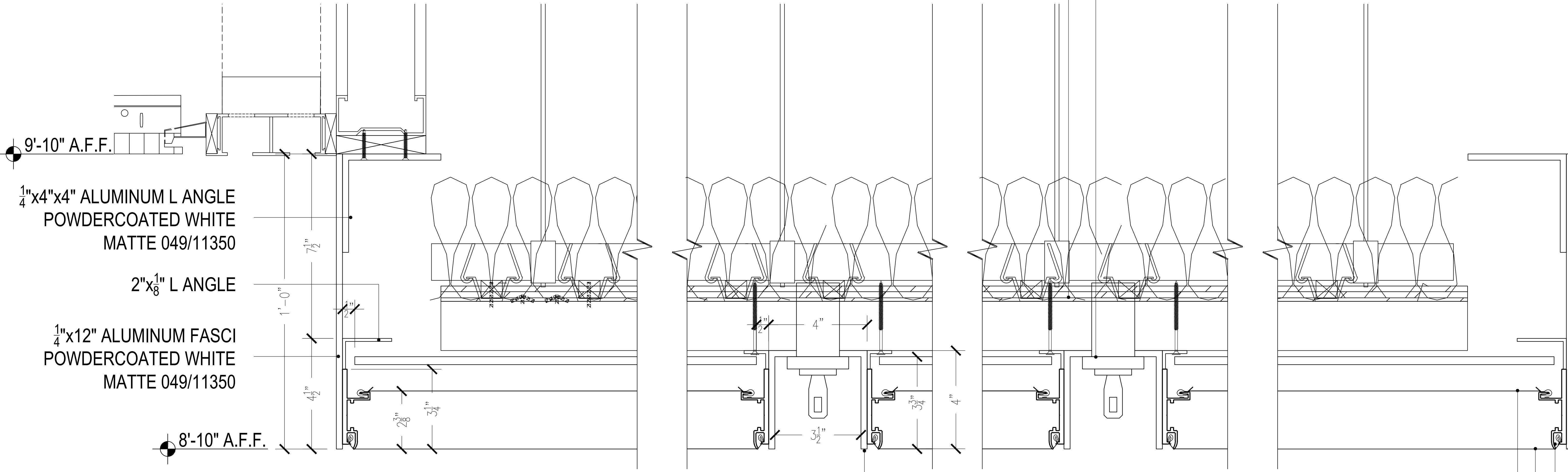
*NOTE: ALL ALUMINUM POWDERCOATED WHITE MATTE 049/11350

NOTES:
1) ALL DIMENSIONS AND LOCATIONS MUST BE V.I.F. PRIOR TO NEWMAT FABRICATION AND INSTALLATION.
2) ALL DRYWALL APPLICATIONS REQUIRE 12" CONTINUOUS 16GA (MINIMUM) METAL STRAPPING REINFORCEMENT BEHIND DRYWALL AT ALL NEWMAT ATTACHMENT LOCATIONS.
3) ALL "BLOCKING BY OTHERS" MUST BE CONTINUOUS, STRAIGHT, LEVEL AND/OR PLUMB AND ABLE TO WITHSTAND 30LBS. PER LINEAR FOOT OF LATERAL TENSION WHICH WILL BE EXERTED BY EACH LAYER OF MEMBRANE.

<p>NOTICE: THESE DRAWINGS WERE PRODUCED BY AND ARE THE SOLE PROPERTY OF NEWMAT USA LTD ANY AND ALL INFORMATION CONTAINED HEREIN SHALL NOT BE USED BY ANY OTHER PERSON OR COMPANY WITHOUT THE EXPRESSED WRITTEN CONSENT OF NEWMAT USA LTD. THE DRAWINGS MAY HAVE BEEN BASED ON CONSTRUCTION DRAWINGS NOT PREPARED BY NEWMAT USA LTD. THEREFORE MAY NOT REPRESENT THE CONDITIONS AS CONSTRUCTED AT THAT TIME.</p>				<p>81 MAHAN STREET, WEST BABYLON, NY 11704 TEL. (631) 261 1498 FAX (631) 261 1756</p>		<p>Scale: AS NOTED</p>	<p>Drawn By: R.K. Checked By:</p>
#	REVISIONS:	Drawn By	Checked By	Job Title:	Customer Name:	Job Number:	Date:
A	8/25/2015	R.K.		DETAILS	330 HUDSON	13-000	8/21/2015
B	9/23/2015	R.K.					
C	10/9/2015	R.K.					
D							
E					330 HUDSON ST		
<p>NEWMAT NORTHEAST CORP. <i>newmat</i> STRETCH CEILING SYSTEMS</p>						<p>Drawing Number: A-02</p>	

TRACK LIGHT & J-BOX (BY OTHERS)

5/8" PLYWOOD BLOCKING W/ CUTOUTS FOR J-BOXES (BY OTHERS)



1/4"x4"x4" ALUMINUM L ANGLE
POWDERCOATED WHITE
MATTE 049/11350

2"x1/8" L ANGLE

1/4"x12" ALUMINUM FASCI
POWDERCOATED WHITE
MATTE 049/11350

8'-10" A.F.F.

1 CEILING SECTION
SCALE: 6"=1'-0"

4" ALUMINUM TROUGH

NEWMAT ACT1/NATUREL MICROPERFORATED MEMBRANE
NEWMAT ACT0B3M/SOFT WHITE TRANSLUCENT
MATTE MICROPERFORATED MEMBRANE
NEWMAT 2LS ALUMINUM
1/4"x12" ALUMINUM FASCIA
POWDERCOATED WHITE MATTE 049/11350

*NOTE: ALL ALUMINUM POWDERCOATED WHITE MATTE 049/11350

- NOTES:**
- 1) ALL DIMENSIONS AND LOCATIONS MUST BE V.I.F. PRIOR TO NEWMAT FABRICATION AND INSTALLATION.
 - 2) ALL DRYWALL APPLICATIONS REQUIRE 12" CONTINUOUS 16GA (MINIMUM) METAL STRAPPING REINFORCEMENT BEHIND DRYWALL AT ALL NEWMAT ATTACHMENT LOCATIONS.
 - 3) ALL "BLOCKING BY OTHERS", MUST BE CONTINUOUS, STRAIGHT, LEVEL AND/OR PLUMB AND ABLE TO WITHSTAND 30LBS. PER LINEAR FOOT OF LATERAL TENSION WHICH WILL BE EXERTED BY EACH LAYER OF MEMBRANE.

<p>NOTICE: THESE DRAWINGS WERE PRODUCED BY AND ARE THE SOLE PROPERTY OF NEWMAT USA LTD ANY AND ALL INFORMATION CONTAINED HEREIN SHALL NOT BE USED BY ANY OTHER PERSON OR COMPANY WITHOUT THE EXPRESSED WRITTEN CONSENT OF NEWMAT USA LTD. THE DRAWINGS MAY HAVE BEEN BASED ON CONSTRUCTION DRAWINGS NOT PREPARED BY NEWMAT USA LTD. THEREFORE MAY NOT REPRESENT THE CONDITIONS AS CONSTRUCTED AT THAT TIME.</p>				<p>81 MAHAN STREET, WEST BABYLON, NY 11704 TEL. (631) 261 1498 FAX (631) 261 1756</p>		<p>Scale: AS NOTED</p>	<p>Drawn By: R.K. Checked By:</p>
#	REVISIONS:	DATE	Drawn By	Checked By	Job Title:	Job Number:	Date:
A	8/25/2015	R.K.			DETAILS	13-000	8/21/2015
B	9/23/2015	R.K.			330 HUDSON		
C	10/9/2015	R.K.			Customer Name:		
D					330 HUDSON ST		
E							

