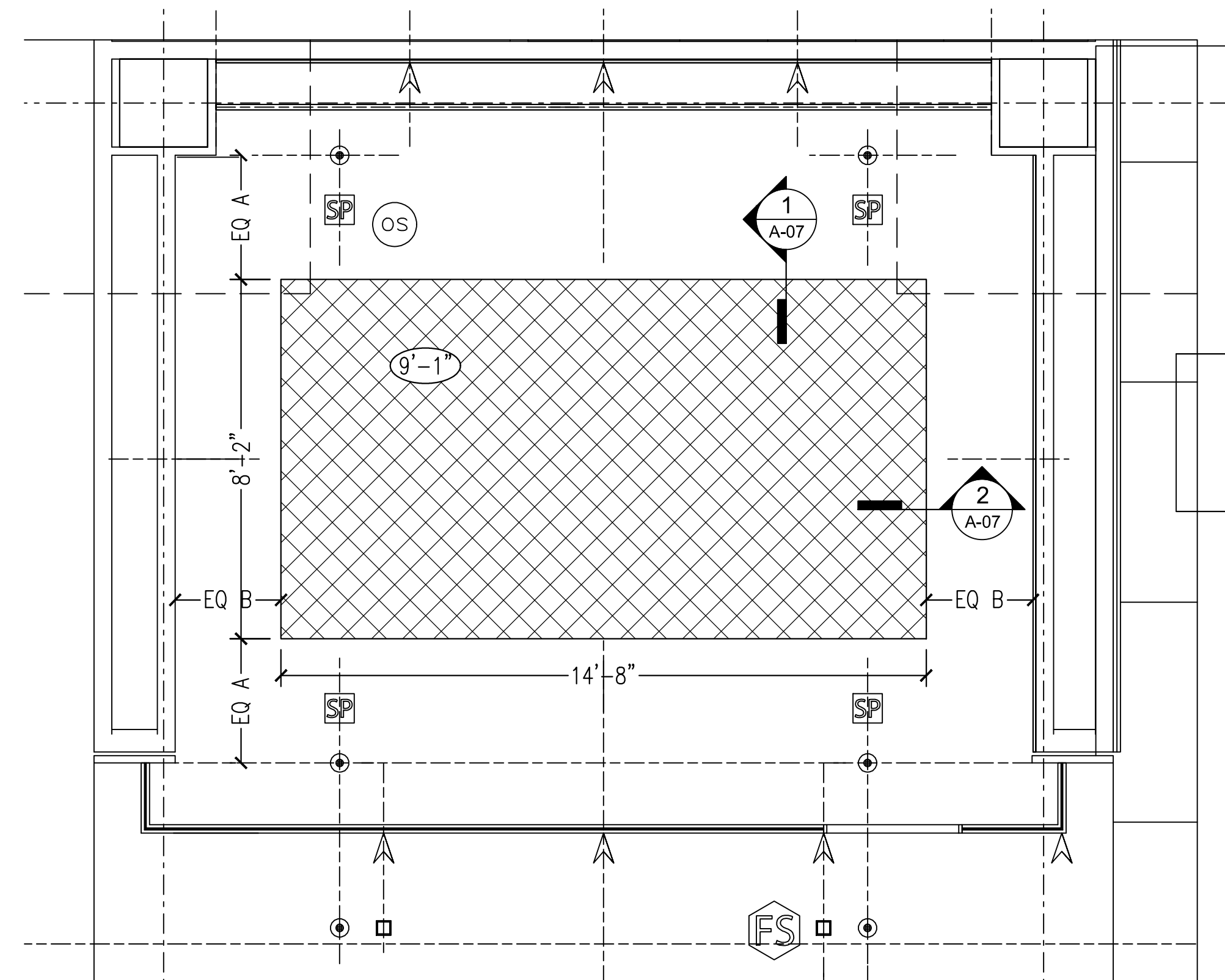
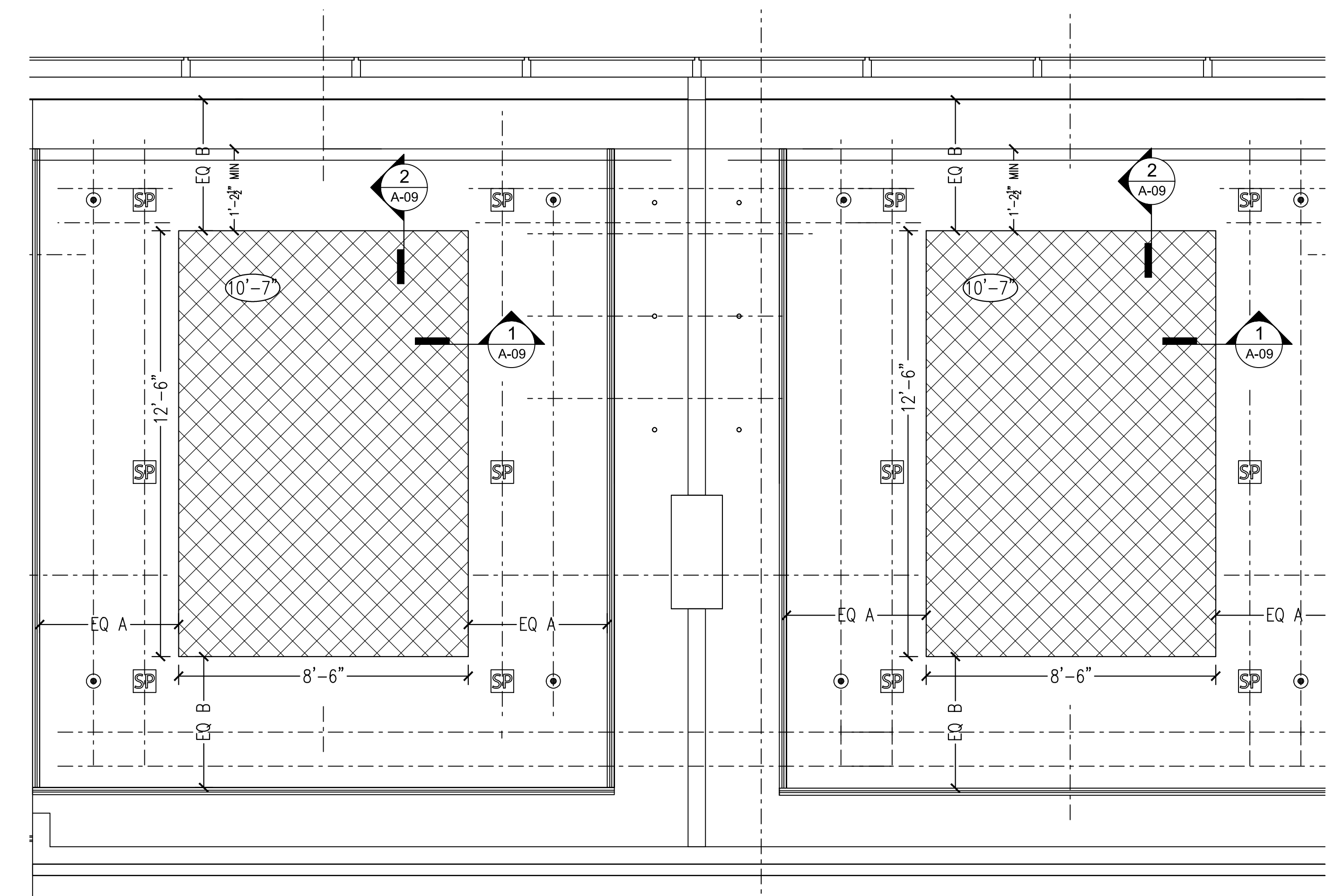


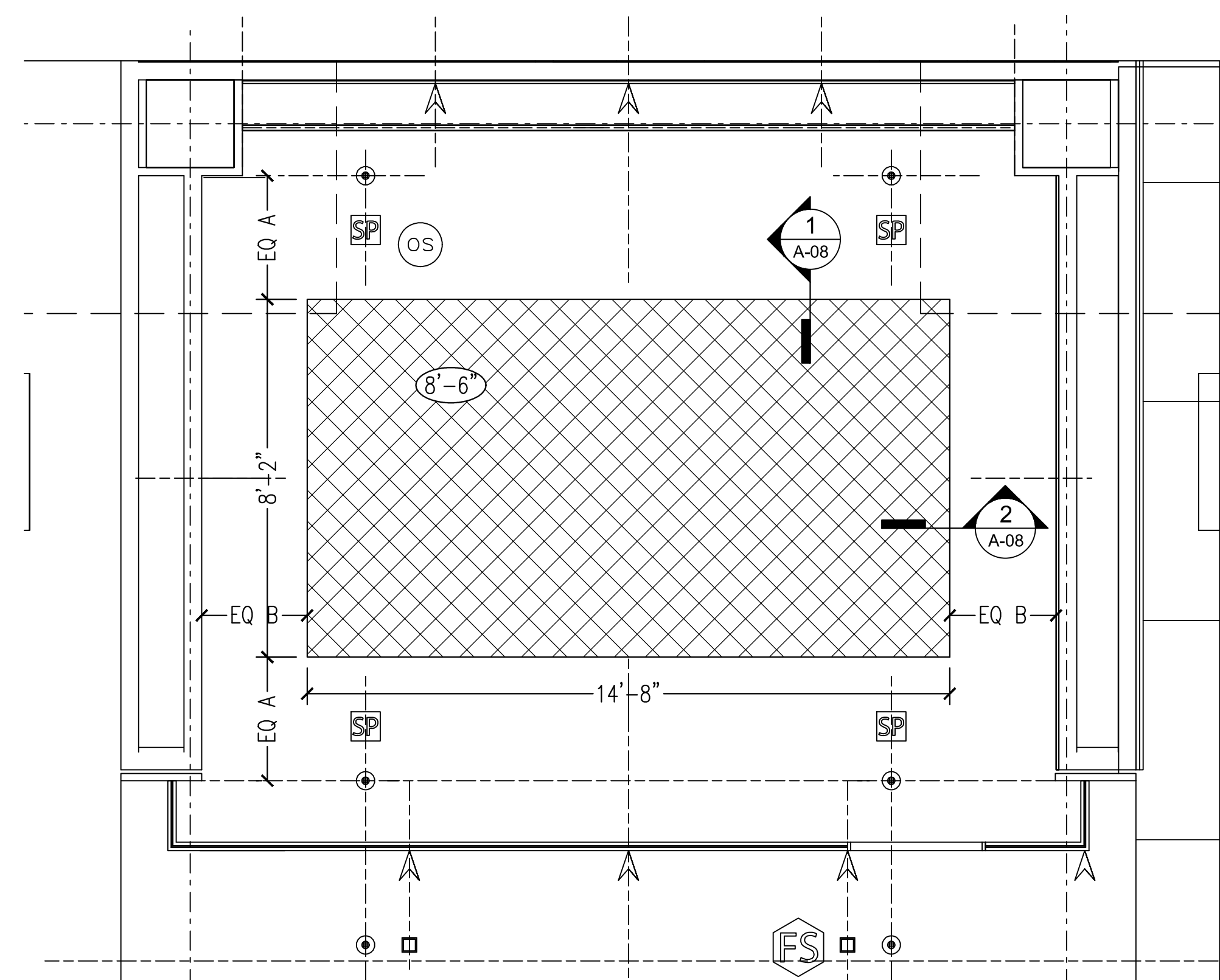
1 PARTIAL RCP @ CONFERENCE N0112
SCALE: 3/8" = 1' - 0"



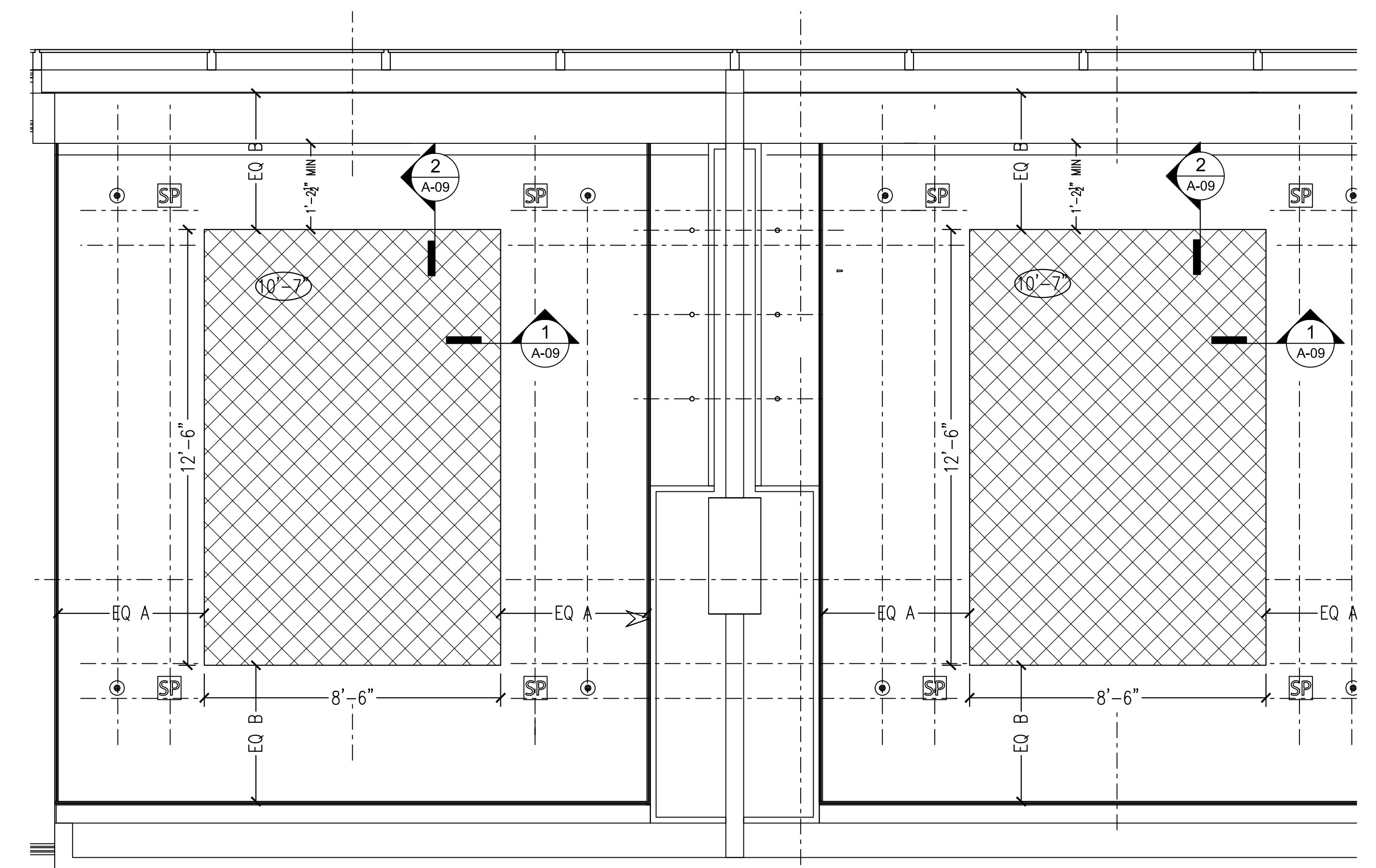
2 PARTIAL RCP @ TYP. CONFERENCE ROOMS; LEVEL 3-9 NORTH & 7-9 SOUTH
SCALE: 3/8" = 1' - 0"



3 PARTIAL RCP @ WEST HUB LEVEL 10 SOUTH
SCALE: 3/8" = 1' - 0"



5 PARTIAL RCP @ CONFERENCE ROOMS; LEVEL 2 NORTH & 2 SOUTH
SCALE: 3/8" = 1' - 0"



4 PARTIAL RCP @ WEST HUB LEVEL 11 SOUTH
SCALE: 3/8" = 1' - 0"

NOTES:
 1) ALL DIMENSIONS AND LOCATIONS MUST BE V.I.F. PRIOR TO NEWMAT FABRICATION AND INSTALLATION.
 2) ALL DRYWALL APPLICATIONS REQUIRE 12" CONTINUOUS 16GA (MINIMUM) METAL STRAPPING REINFORCEMENT BEHIND DRYWALL AT ALL NEWMAT ATTACHMENT LOCATIONS.
 3) ALL "BLOCKING BY OTHERS", MUST BE CONTINUOUS, STRAIGHT, LEVEL AND/OR PLUMB AND ABLE TO WITHSTAND 30LBS. PER LINEAR FOOT OF LATERAL TENSION WHICH WILL BE EXERTED BY EACH LAYER OF MEMBRANE.

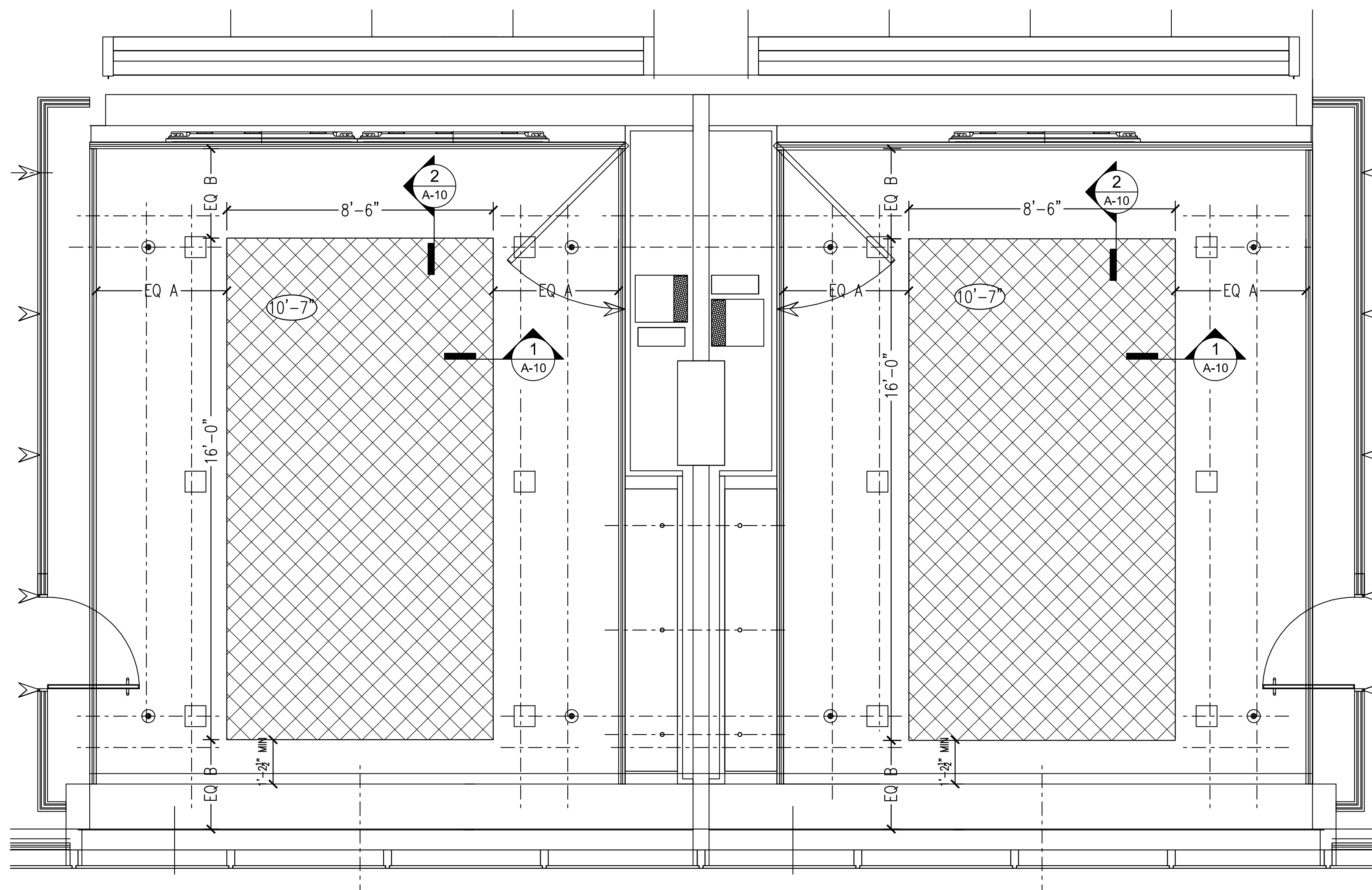
LEAD TIME: SIX TO EIGHT (6-8) WEEKS FROM RECEIPT OF REQUIRED DEPOSIT, APPROVED SAMPLES, APPROVED SHOP DRAWINGS, AND CONFIRMED MEASUREMENTS.

**AS BUILT
9/10/2014**

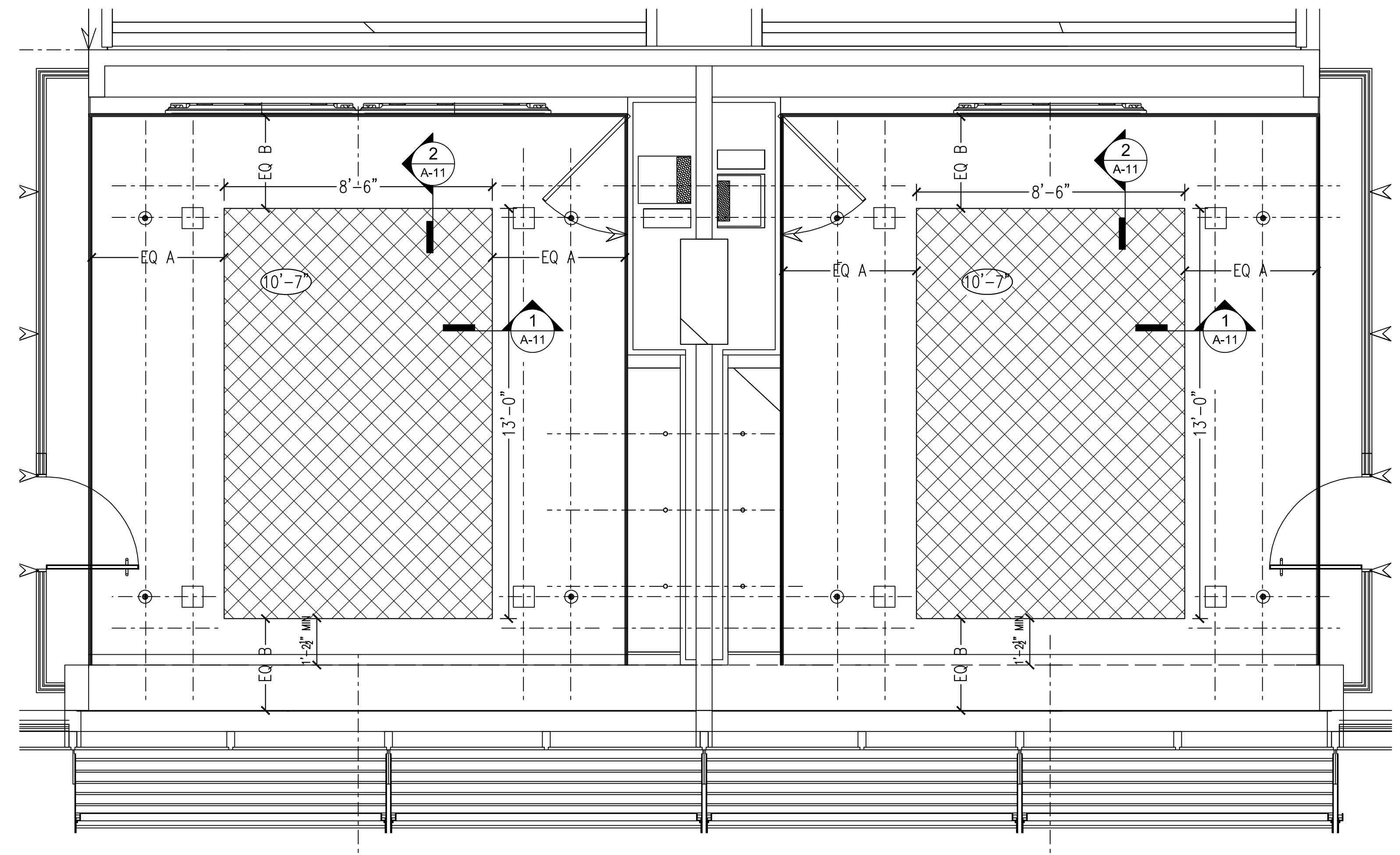
<p>NOTICE: THESE DRAWINGS WERE PRODUCED BY AND ARE THE SOLE PROPERTY OF NEWMAT USA LTD ANY AND ALL INFORMATION CONTAINED HEREIN SHALL NOT BE USED BY ANY OTHER PERSON OR COMPANY WITHOUT THE EXPRESSED WRITTEN CONSENT OF NEWMAT USA LTD. THE DRAWINGS MAY HAVE BEEN BASED ON CONSTRUCTION DRAWINGS NOT PREPARED BY NEWMAT USA LTD. THEREFORE MAY NOT REPRESENT THE CONDITIONS AS CONSTRUCTED AT THAT TIME.</p>				<p>81 MAHAN STREET, WEST BABYLON, NY 11704 TEL: (631) 261 1498 FAX: (631) 261 1756</p>		<p>Scale: AS NOTED</p>	<p>Drawn By: R.K. Checked By:</p>	
#	REVISIONS:	DATE	Drawn By	Checked By	Job Title:	Customer Name:	Job Number:	Date:
A	12/3/2013	R.K.			PARTIAL RCP	COVINGTON & BURLING	13-000	11/26/2013
B	12/16/2013	R.K.				COVINGTON & BURLING		
C	3/7/2014	R.K.				800-850 10TH STREET NW WASHINGTON, DC 20001		
D								
E								

**NEWMAT
NORTHEAST CORP.**
newmat
 STRETCH CEILING SYSTEMS

Scale:
AS NOTED
 Drawn By:
R.K.
Checked By:
 Job Number:
13-000
Date:
11/26/2013
 Drawing Number:
A-01



1 LEVEL 10 NORTH CONFERENCE CENTER RECEPTION
SCALE : 3/8" = 1' - 0"



2 LEVEL 11 NORTH CONFERENCE CENTER RECEPTION
SCALE : 3/8" = 1' - 0"

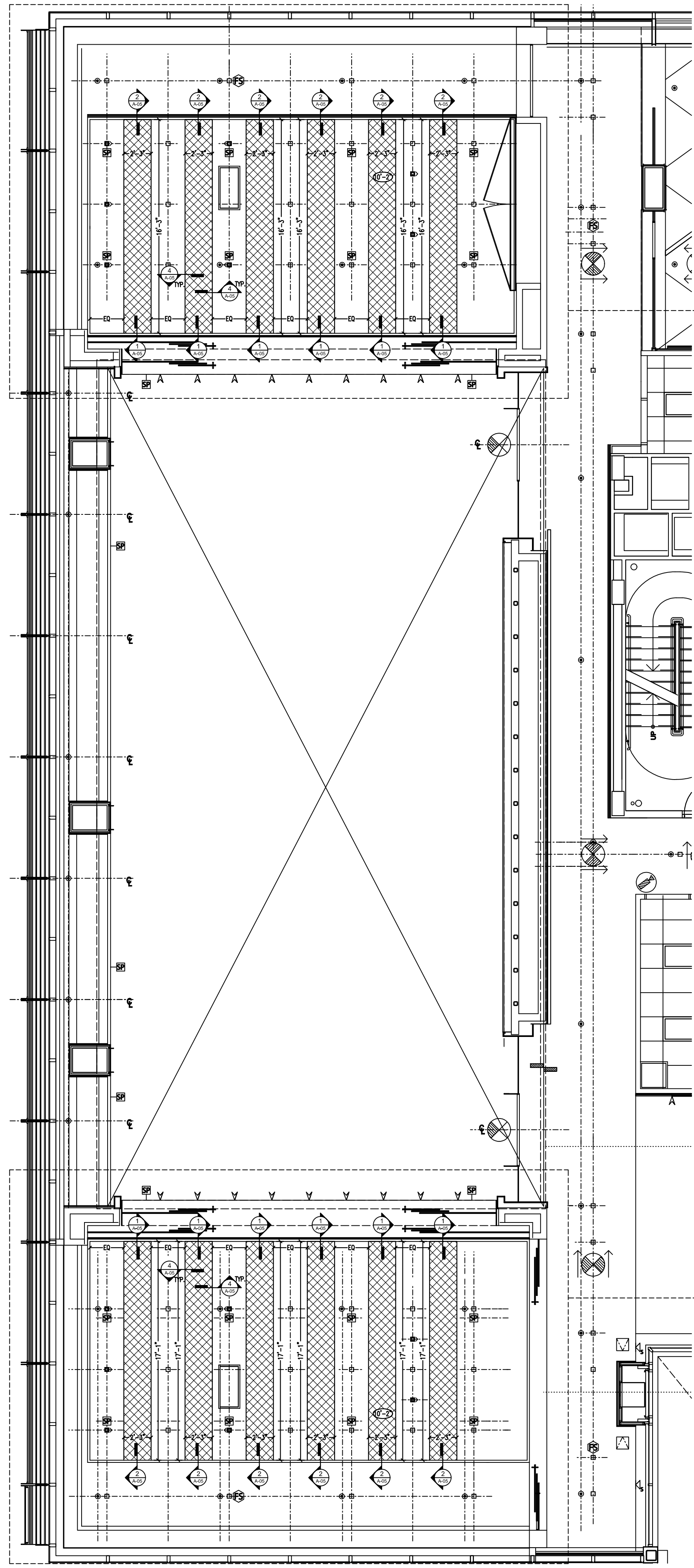
- NOTES:**
- 1) ALL DIMENSIONS AND LOCATIONS MUST BE V.I.F. PRIOR TO NEWMAT FABRICATION AND INSTALLATION.
 - 2) ALL DRYWALL APPLICATIONS REQUIRE 12" CONTINUOUS 16GA (MINIMUM) METAL STRAPPING REINFORCEMENT BEHIND DRYWALL AT ALL NEWMAT ATTACHMENT LOCATIONS.
 - 3) ALL "BLOCKING BY OTHERS", MUST BE CONTINUOUS, STRAIGHT, LEVEL AND/OR PLUMB AND ABLE TO WITHSTAND 30LBS. PER LINEAR FOOT OF LATERAL TENSION WHICH WILL BE EXERTED BY EACH LAYER OF MEMBRANE.

LEAD TIME: SIX TO EIGHT (6-8) WEEKS FROM RECEIPT OF REQUIRED DEPOSIT, APPROVED SAMPLES, APPROVED SHOP DRAWINGS, AND CONFIRMED MEASUREMENTS.

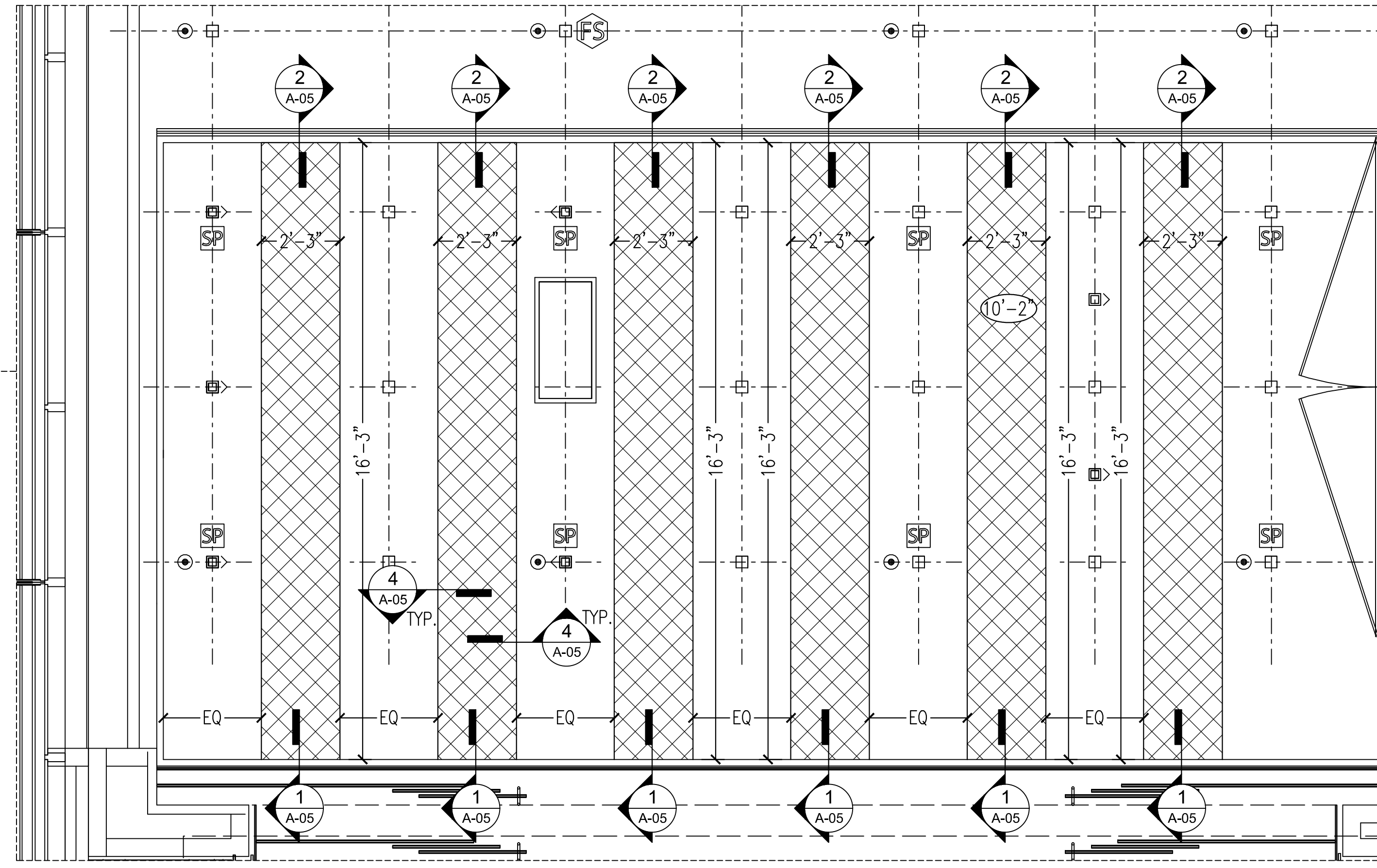
AS BUILT
9/10/2014

NOTICE:				81 MAHAN STREET, WEST BABYLON, NY 11704 TEL. (631) 261 1498 FAX (631) 261 1756		Scale:	Drawn By:
THESE DRAWINGS WERE PRODUCED BY AND ARE THE SOLE PROPERTY OF NEWMAT USA LTD ANY AND ALL INFORMATION CONTAINED HEREIN SHALL NOT BE USED BY ANY OTHER PERSON OR COMPANY WITHOUT THE EXPRESSED WRITTEN CONSENT OF NEWMAT USA LTD. THE DRAWINGS MAY HAVE BEEN BASED ON CONSTRUCTION DRAWINGS NOT PREPARED BY NEWMAT USA LTD . THEREFORE MAY NOT REPRESENT THE CONDITIONS AS CONSTRUCTED AT THAT TIME.				R.K.		AS NOTED	R.K.
#	REVISIONS:	Drawn By	Checked By	Job Title:	Customer Name:	Job Number:	Date:
A	12/3/2013	R.K.		PARTIAL RCP	COVINGTON & BURLING	13-000	11/26/2013
B	12/16/2013	R.K.			COVINGTON & BURLING		
C	3/7/2014	R.K.			800-850 10TH STREET NW WASHINGTON, DC 20001		
D							
E							

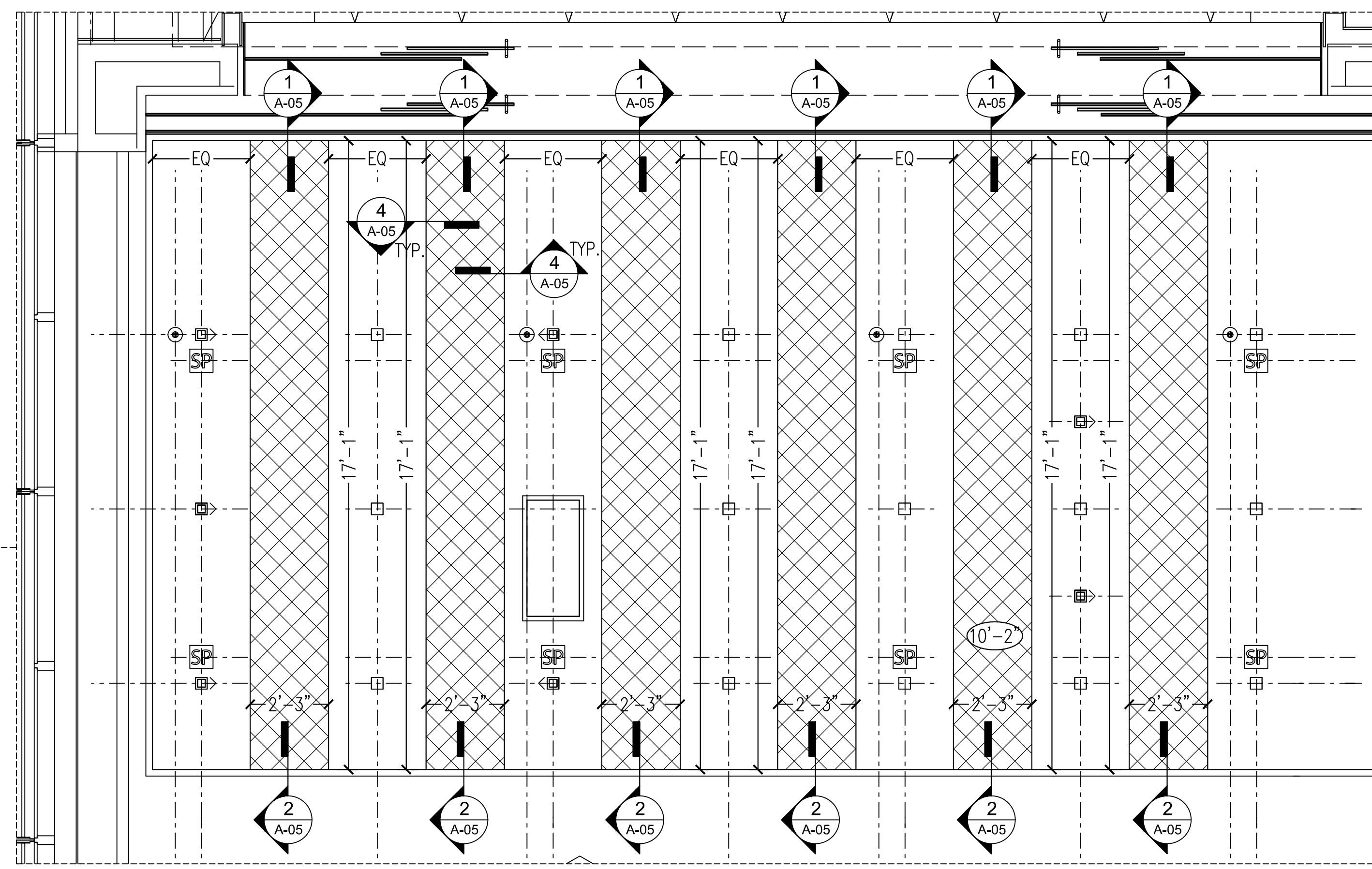
NEWMAT
NORTHEAST CORP.
newmat
STRETCH CEILING SYSTEMS



1 LEVEL 10 CONFERENCE CENTER AUDITORIUM
SCALE: NTS



2 ENLARGED RCP @ LEVEL 10 CONFERENCE CENTER AUDITORIUM
SCALE: 3/8" = 1'-0"



3 ENLARGED RCP @ LEVEL 10 CONFERENCE CENTER AUDITORIUM
SCALE: 3/8" = 1'-0"

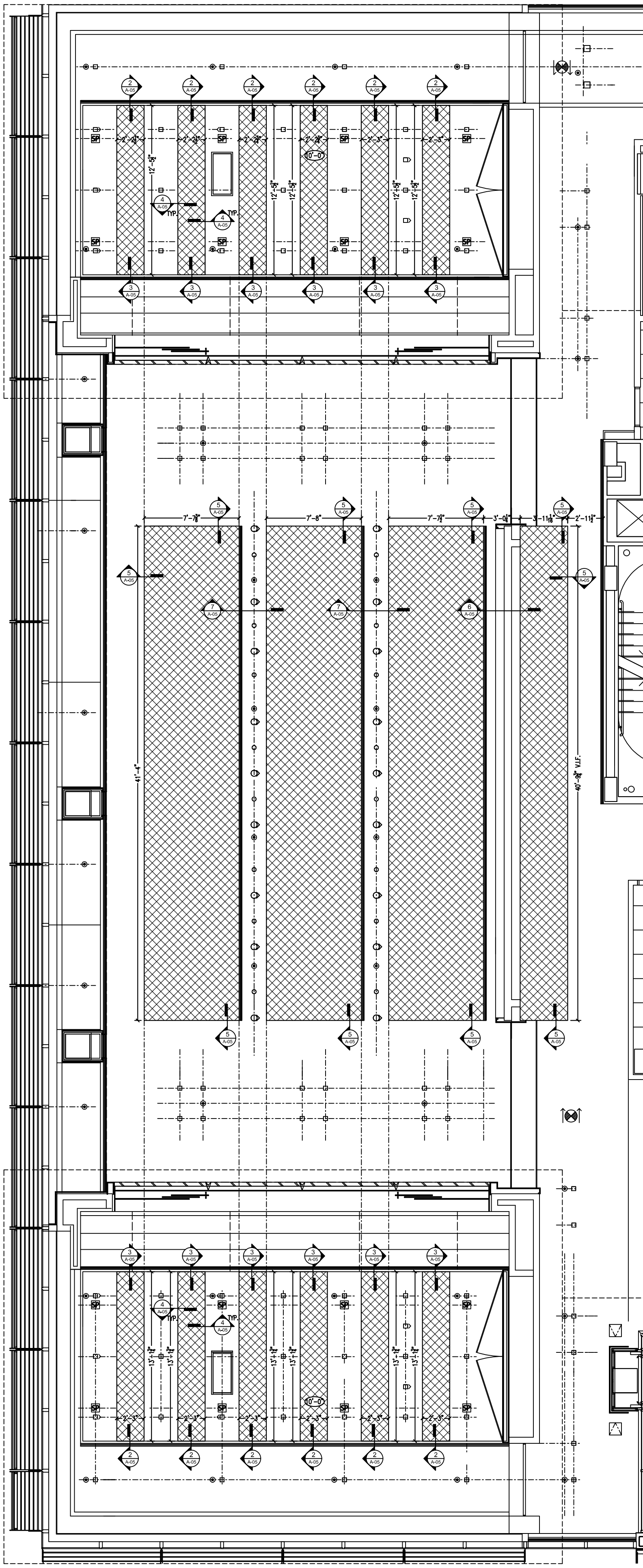
NOTES:
 1) ALL DIMENSIONS AND LOCATIONS MUST BE V.I.F. PRIOR TO NEWMAT FABRICATION AND INSTALLATION.
 2) ALL DRYWALL APPLICATIONS REQUIRE 12" CONTINUOUS 16GA (MINIMUM) METAL STRAPPING REINFORCEMENT BEHIND DRYWALL AT ALL NEWMAT ATTACHMENT LOCATIONS.
 3) ALL "BLOCKING BY OTHERS", MUST BE CONTINUOUS, STRAIGHT, LEVEL AND/OR PLUMB AND ABLE TO WITHSTAND 30LBS. PER LINEAR FOOT OF LATERAL TENSION WHICH WILL BE EXERTED BY EACH LAYER OF MEMBRANE.

LEAD TIME: SIX TO EIGHT (6-8) WEEKS FROM RECEIPT OF REQUIRED DEPOSIT, APPROVED SAMPLES, APPROVED SHOP DRAWINGS, AND CONFIRMED MEASUREMENTS.

AS BUILT
9/10/2014

NOTICE:
 THESE DRAWINGS WERE PRODUCED BY AND ARE THE SOLE PROPERTY OF NEWMAT USA LTD ANY AND ALL INFORMATION CONTAINED HEREIN SHALL NOT BE USED BY ANY OTHER PERSON OR COMPANY WITHOUT THE EXPRESSED WRITTEN CONSENT OF NEWMAT USA LTD. THE DRAWINGS MAY HAVE BEEN BASED ON CONSTRUCTION DRAWINGS NOT PREPARED BY NEWMAT USA LTD. THEREFORE MAY NOT REPRESENT THE CONDITIONS AS CONSTRUCTED AT THAT TIME.

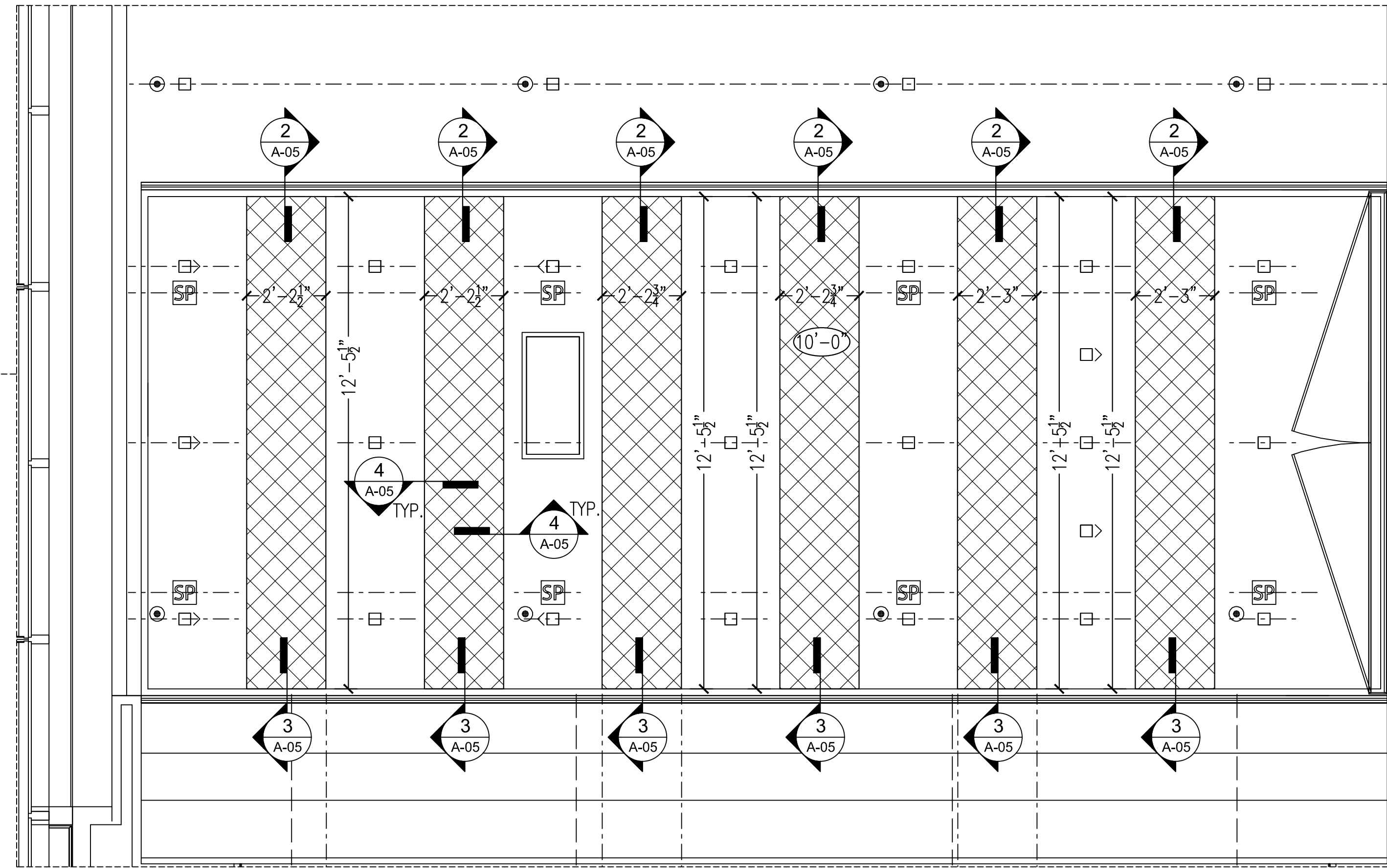
NEWMAT NORTHEAST CORP. STRETCH CEILING SYSTEMS	#	REVISIONS:	Drawn By:	Checked By:	81 MAHAN STREET, WEST BABYLON, NY 11704 TEL: (631) 261 1498 FAX: (631) 261 1756	Scale:	Drawn By:
	A	12/3/2013	R.K.			AS NOTED	R.K.
	B	12/16/2013	R.K.			Drawing Title: PARTIAL RCP	Checked By:
	C	3/7/2014	R.K.			Job Title: COVINGTON & BURLING	Job Number:
	D					Customer Name: COVINGTON & BURLING 800-850 10TH STREET NW WASHINGTON, DC 20001	Date: 11/26/2013
E						Drawing Number: A-03	



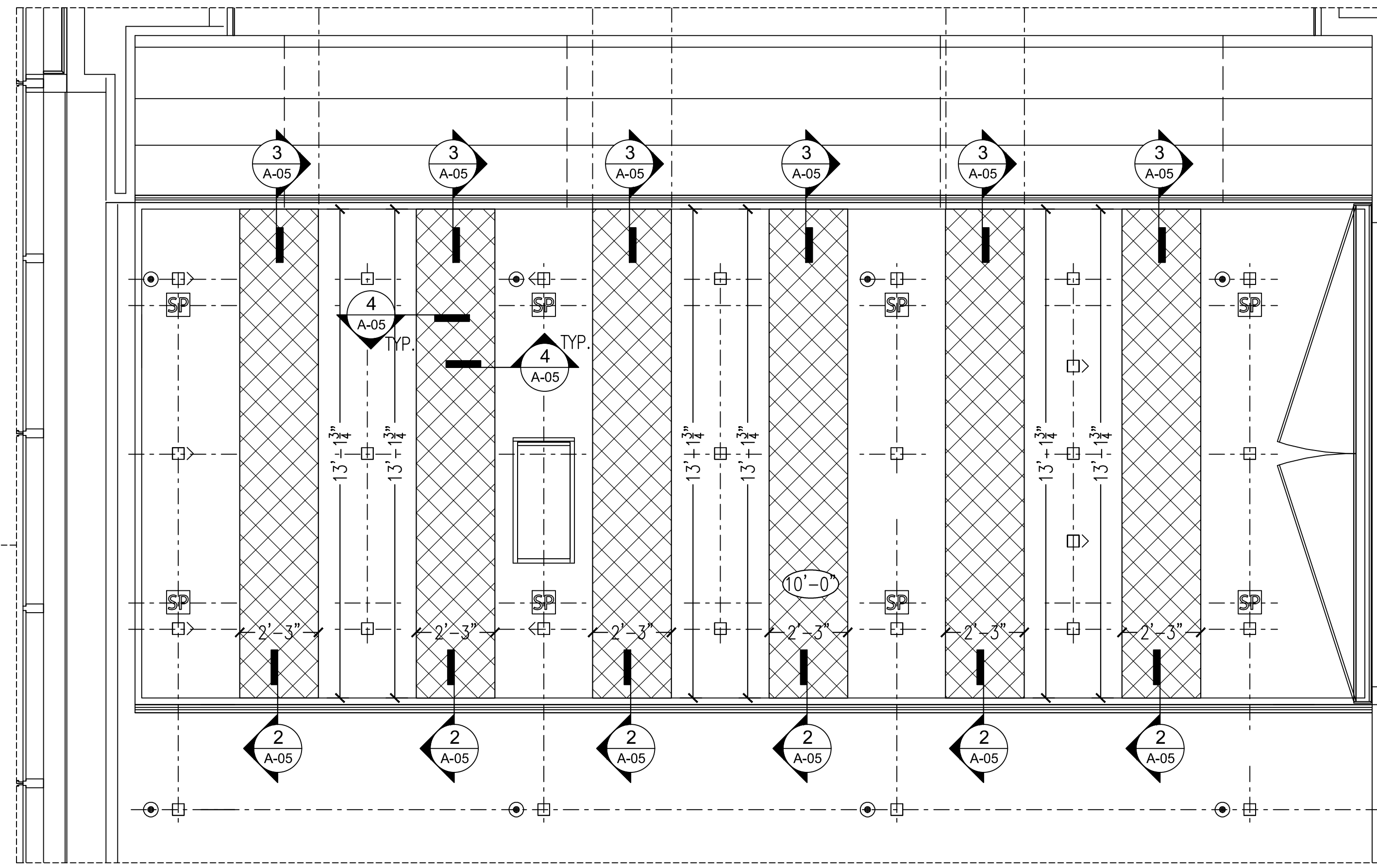
1 LEVEL 11 CONFERENCE CENTER AUDITORIUM
SCALE: NTS

- NOTES:**
- 1) ALL DIMENSIONS AND LOCATIONS MUST BE V.I.F. PRIOR TO NEWMAT FABRICATION AND INSTALLATION.
 - 2) ALL DRYWALL APPLICATIONS REQUIRE 12" CONTINUOUS 16GA (MINIMUM) METAL STRAPPING REINFORCEMENT BEHIND DRYWALL AT ALL NEWMAT ATTACHMENT LOCATIONS.
 - 3) ALL "BLOCKING BY OTHERS", MUST BE CONTINUOUS, STRAIGHT, LEVEL AND/OR PLUMB AND ABLE TO WITHSTAND 30LBS. PER LINEAR FOOT OF LATERAL TENSION WHICH WILL BE EXERTED BY EACH LAYER OF MEMBRANE.

LEAD TIME: SIX TO EIGHT (6-8) WEEKS FROM RECEIPT OF REQUIRED DEPOSIT, APPROVED SAMPLES, APPROVED SHOP DRAWINGS, AND CONFIRMED MEASUREMENTS.



2 ENLARGED RCP @ LEVEL 11 CONFERENCE CENTER AUDITORIUM
SCALE: 3/8" = 1'-0"



3 ENLARGED RCP @ LEVEL 11 CONFERENCE CENTER AUDITORIUM
SCALE: 3/8" = 1'-0"

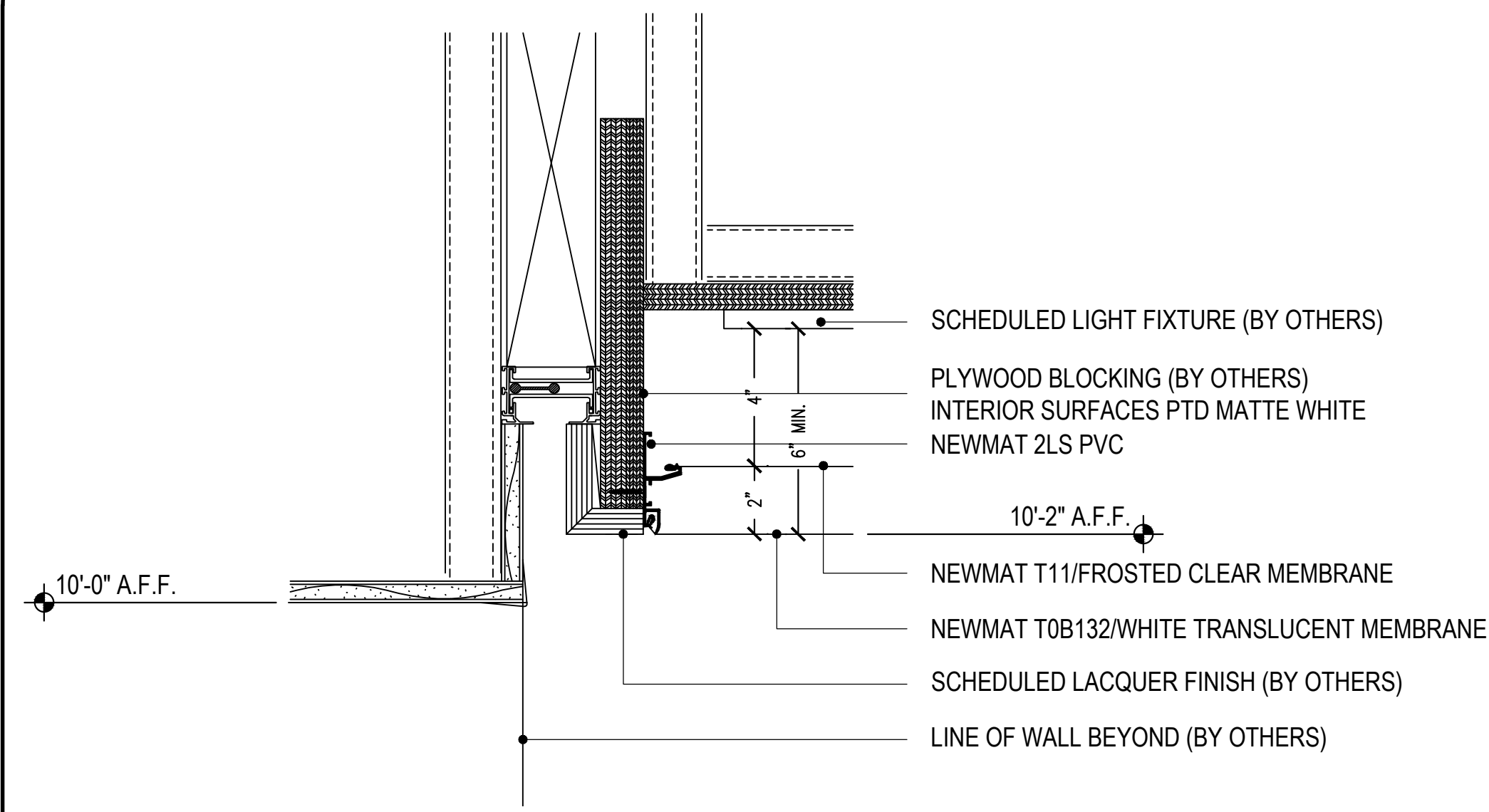
NOTICE:
THESE DRAWINGS WERE PRODUCED BY AND ARE THE SOLE PROPERTY OF NEWMAT USA LTD ANY AND ALL INFORMATION CONTAINED HEREIN SHALL NOT BE USED BY ANY OTHER PERSON OR COMPANY WITHOUT THE EXPRESSED WRITTEN CONSENT OF NEWMAT USA LTD. THE DRAWINGS MAY HAVE BEEN BASED ON CONSTRUCTION DRAWINGS NOT PREPARED BY NEWMAT USA LTD. THEREFORE MAY NOT REPRESENT THE CONDITIONS AS CONSTRUCTED AT THAT TIME.

**NEWMAT
NORTHEAST CORP.**
newmat
STRETCH CEILING SYSTEMS

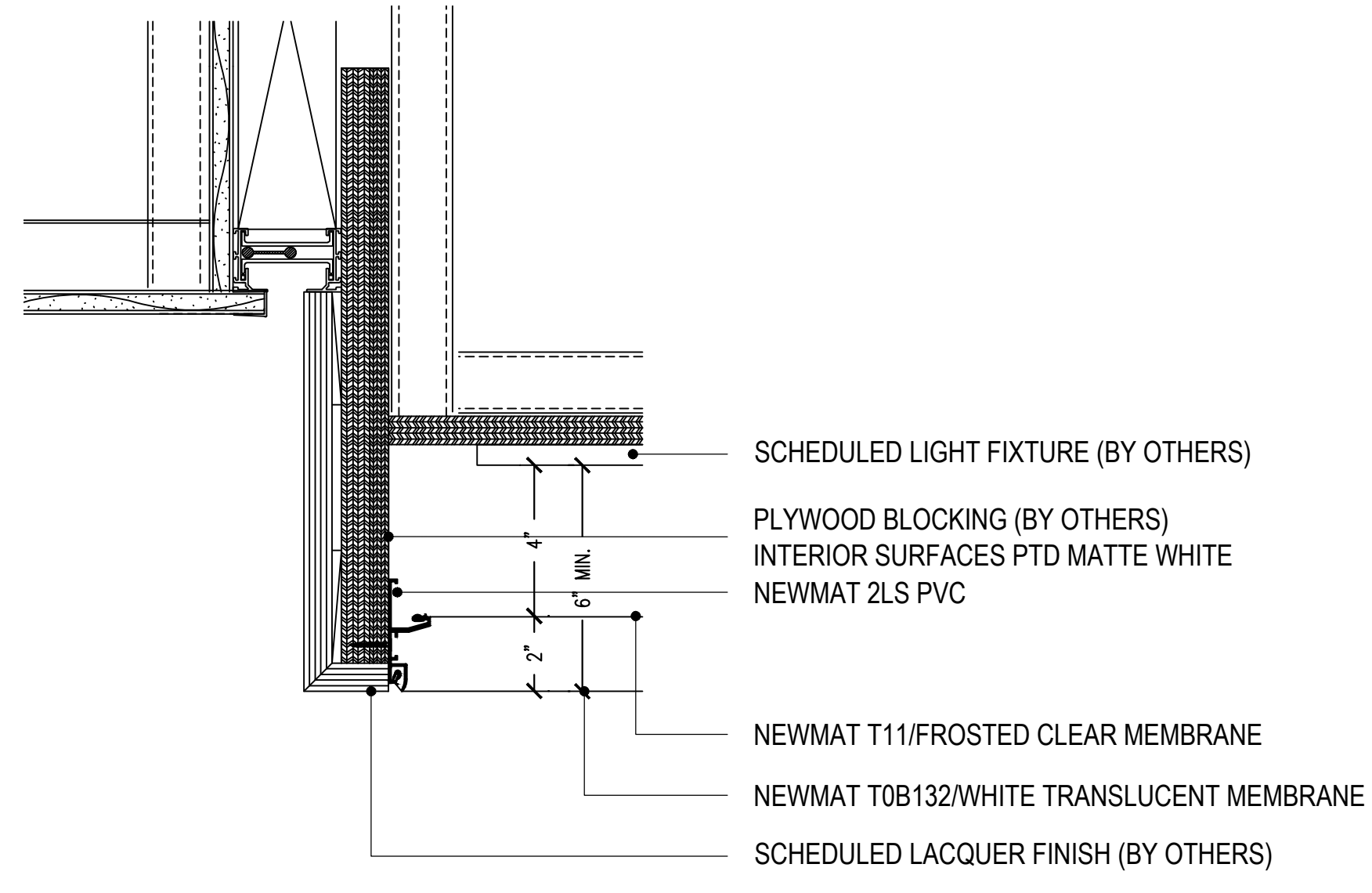
#	REVISIONS:	DATE	Drawn By	Checked By	81 MAHAN STREET, WEST BABYLON, NY 11704 TEL. (631) 261 1498 FAX (631) 261 1756
A	12/3/2013	R.K.			Scale: AS NOTED
B	12/16/2013	R.K.			Job Title: PARTIAL RCP
C	3/7/2014	R.K.			Customer Name: COVINGTON & BURLING
D					Job Number: 13-000
E					Date: 11/26/2013

Drawn By: R.K.	Checked By:
Job Number: 13-000	Date: 11/26/2013
Drawing Number: A-04	

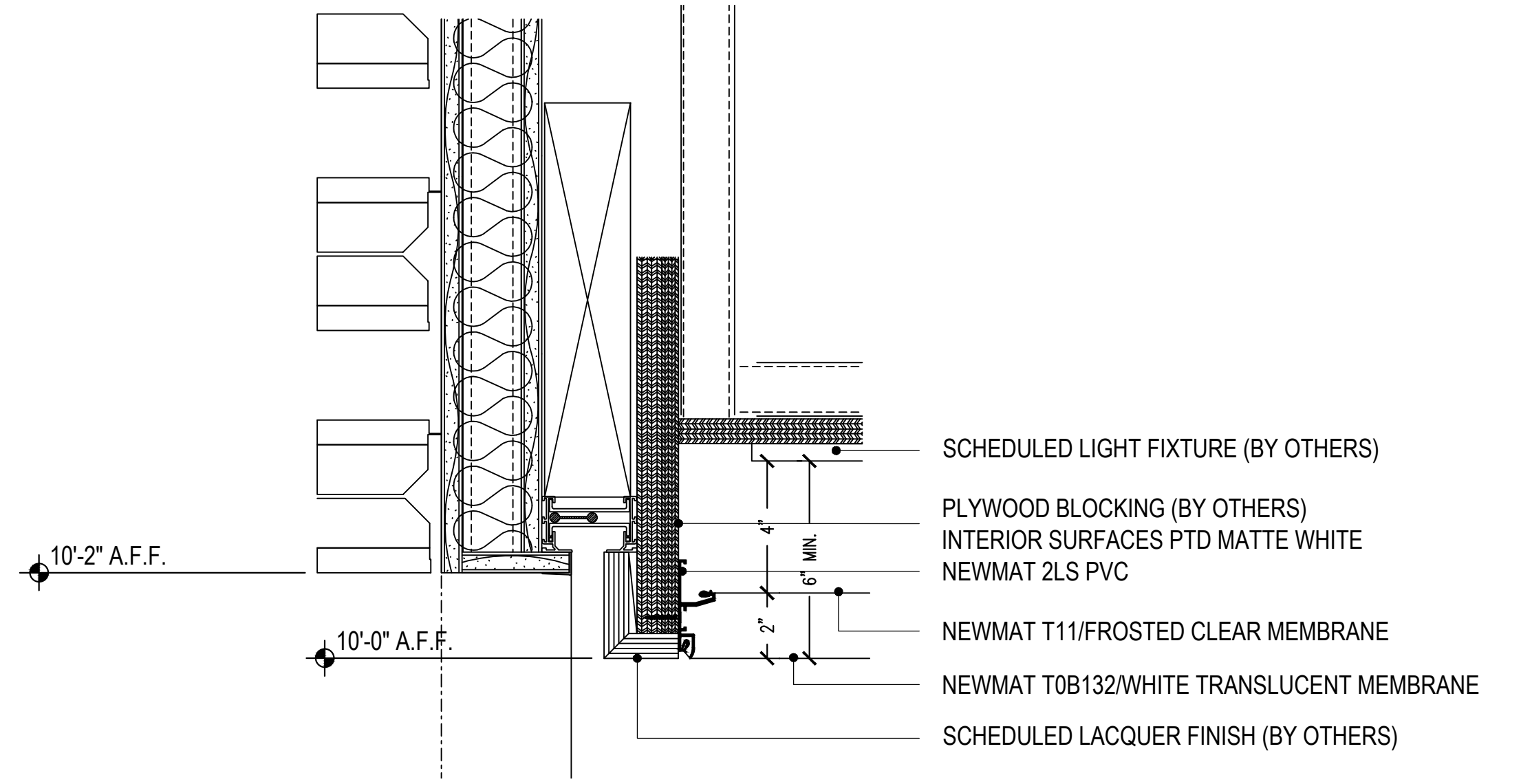
AS BUILT
9/10/2014



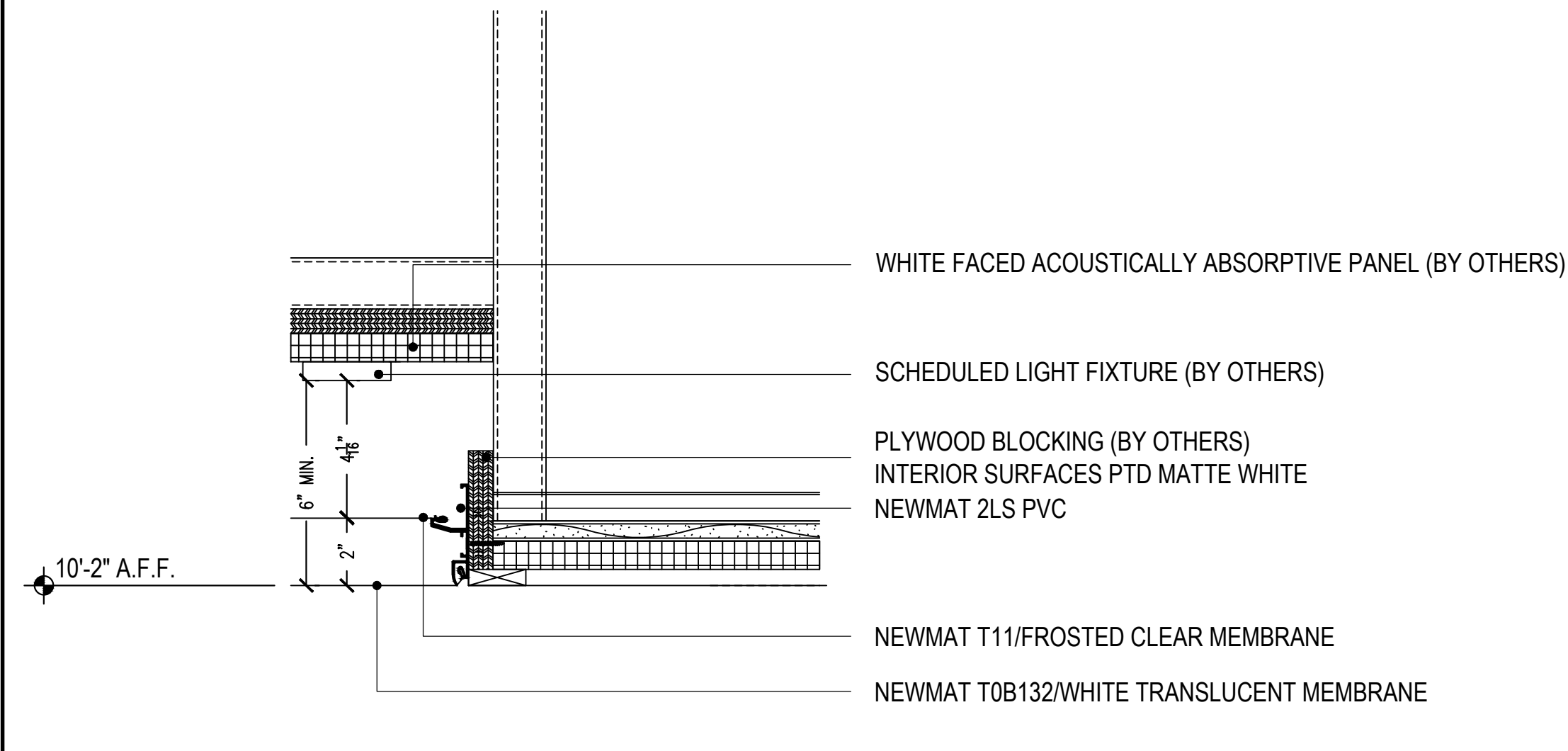
1 CEILING SECTION
SCALE: 3" = 1'-0"



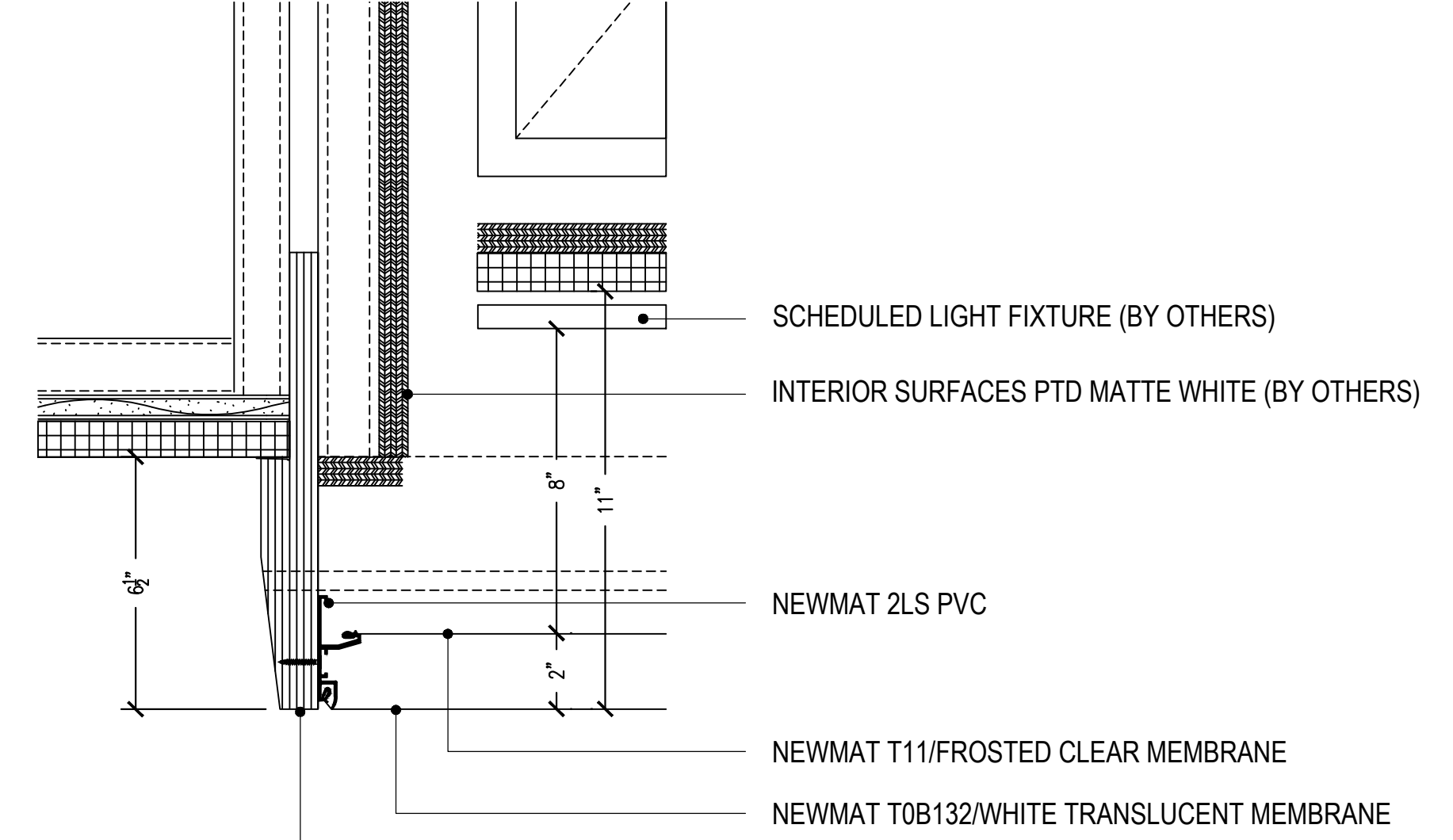
2 CEILING SECTION
SCALE: 3" = 1'-0"



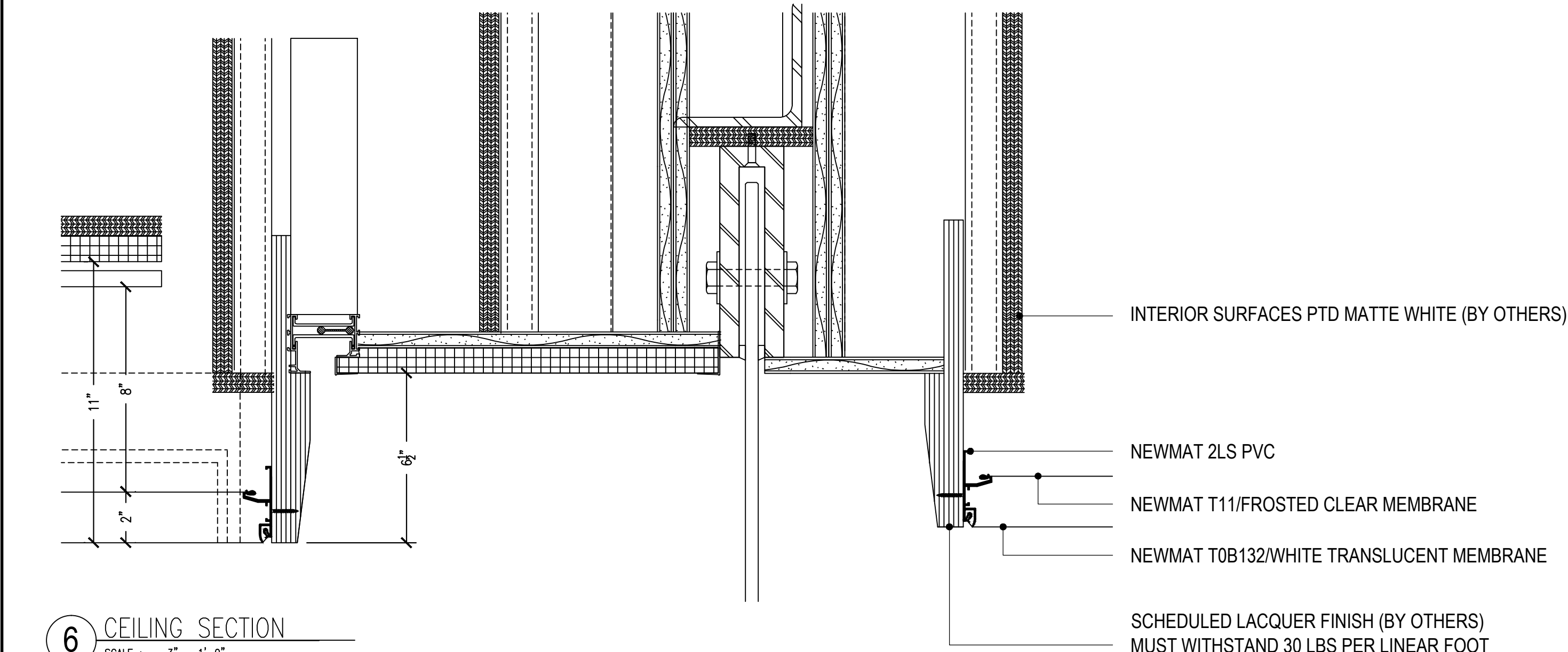
3 CEILING SECTION
SCALE: 3" = 1'-0"



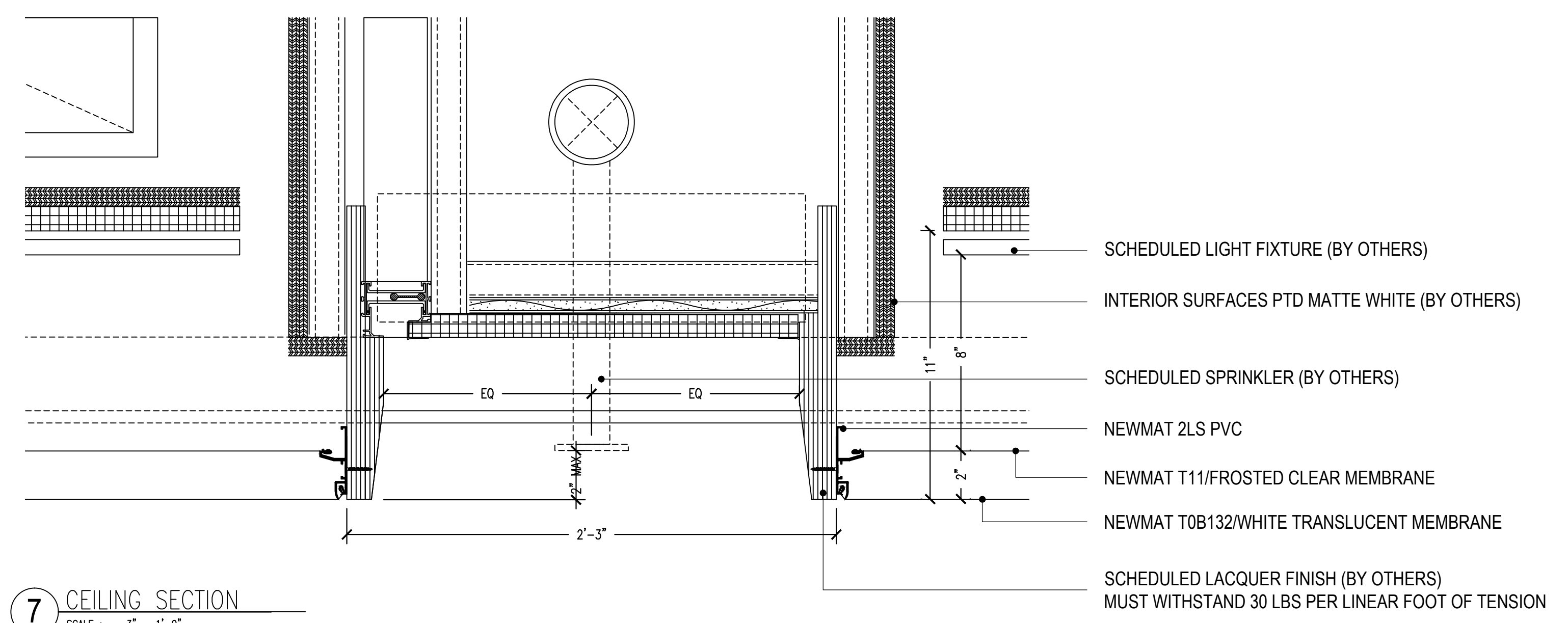
4 CEILING SECTION
SCALE: 3" = 1'-0"



5 CEILING SECTION
SCALE: 3" = 1'-0"



6 CEILING SECTION
SCALE: 3" = 1'-0"



7 CEILING SECTION
SCALE: 3" = 1'-0"

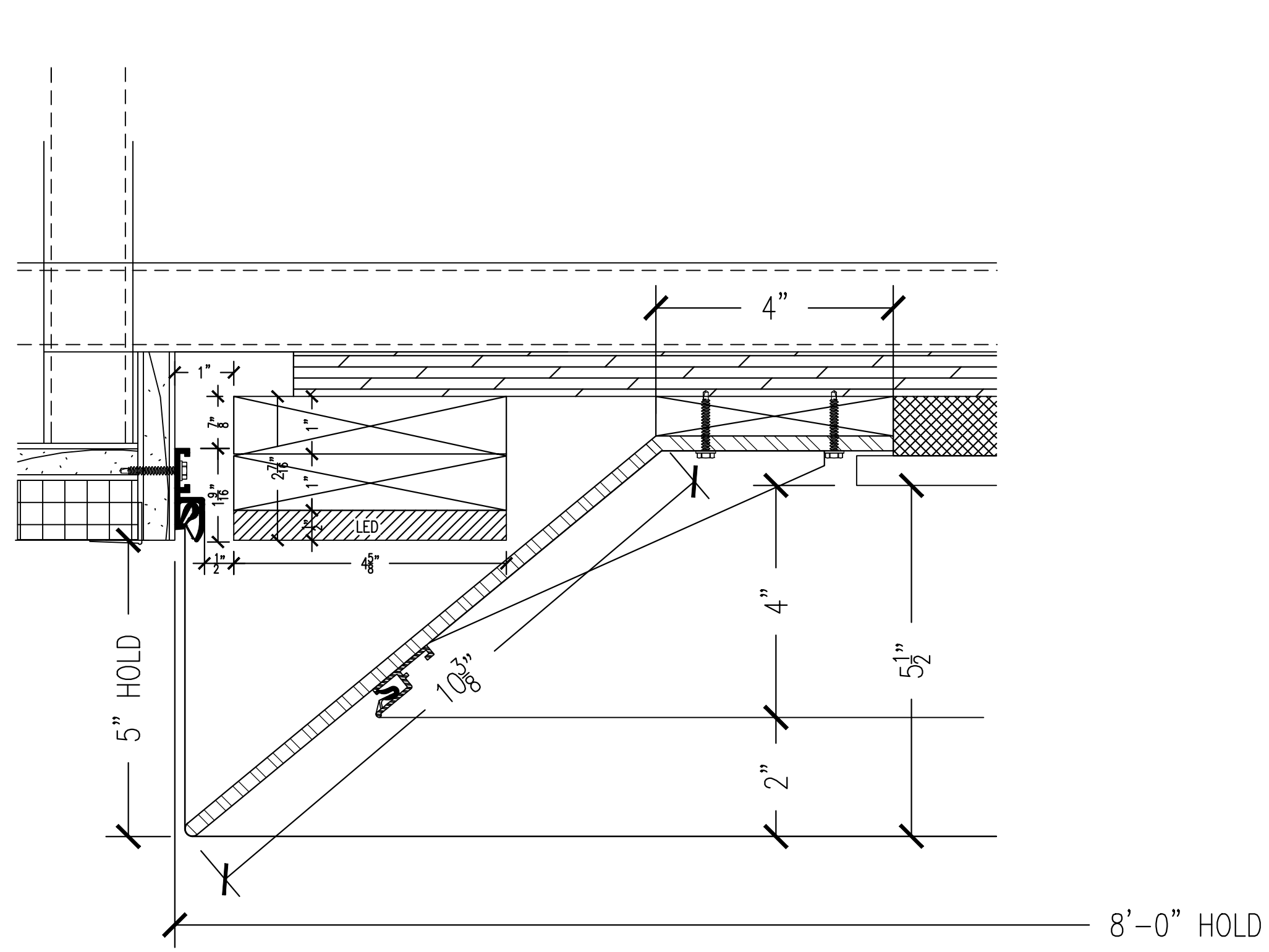
NOTES:
 1) ALL DIMENSIONS AND LOCATIONS MUST BE V.I.F. PRIOR TO NEWMAT FABRICATION AND INSTALLATION.
 2) ALL DRYWALL APPLICATIONS REQUIRE 12" CONTINUOUS 16GA (MINIMUM) METAL STRAPPING REINFORCEMENT BEHIND DRYWALL AT ALL NEWMAT ATTACHMENT LOCATIONS.
 3) ALL "BLOCKING BY OTHERS", MUST BE CONTINUOUS, STRAIGHT, LEVEL AND/OR PLUMB AND ABLE TO WITHSTAND 30LBS. PER LINEAR FOOT OF LATERAL TENSION WHICH WILL BE EXERTED BY EACH LAYER OF MEMBRANE.

LEAD TIME: SIX TO EIGHT (6-8) WEEKS FROM RECEIPT OF REQUIRED DEPOSIT, APPROVED SAMPLES, APPROVED SHOP DRAWINGS, AND CONFIRMED MEASUREMENTS.

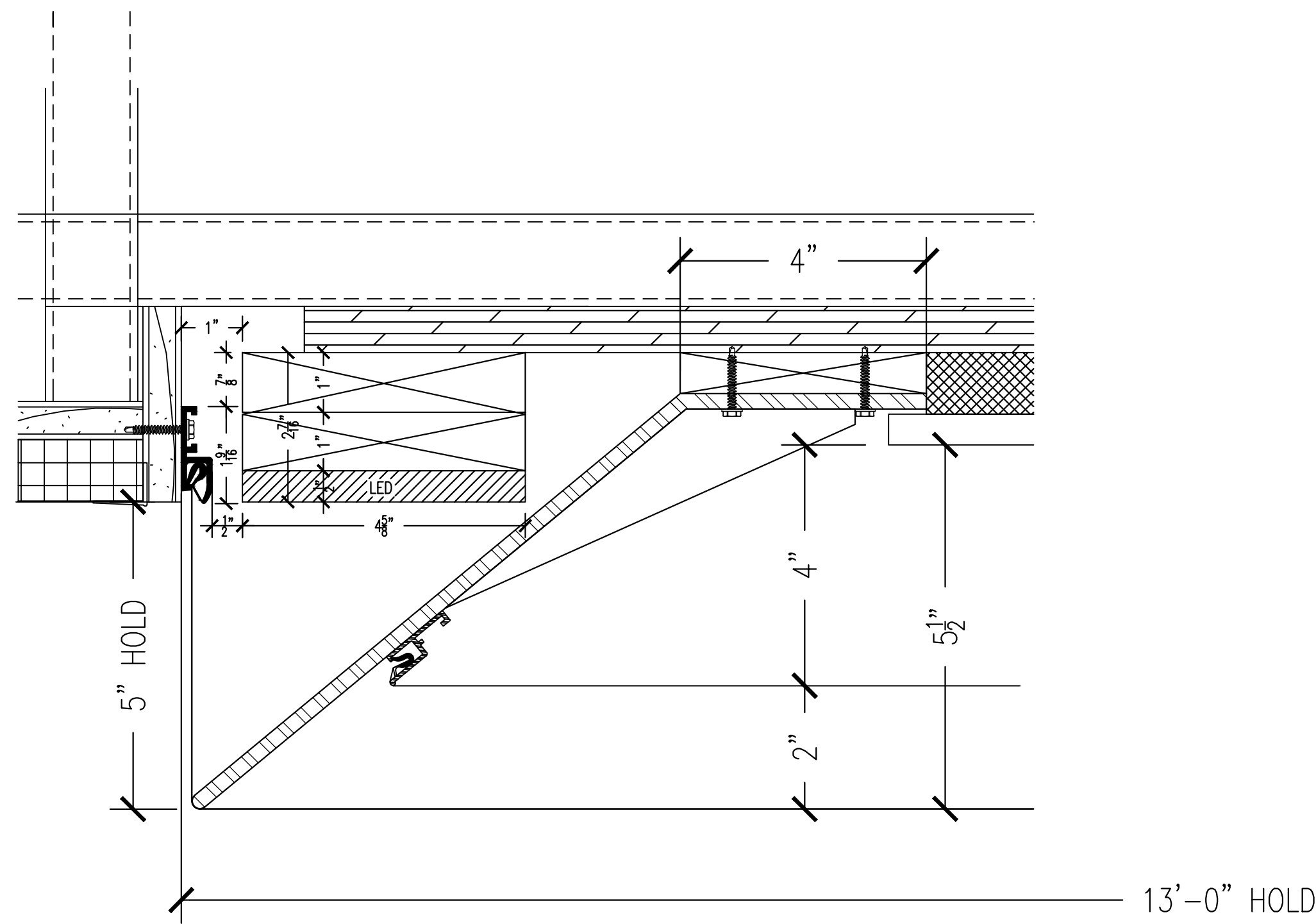
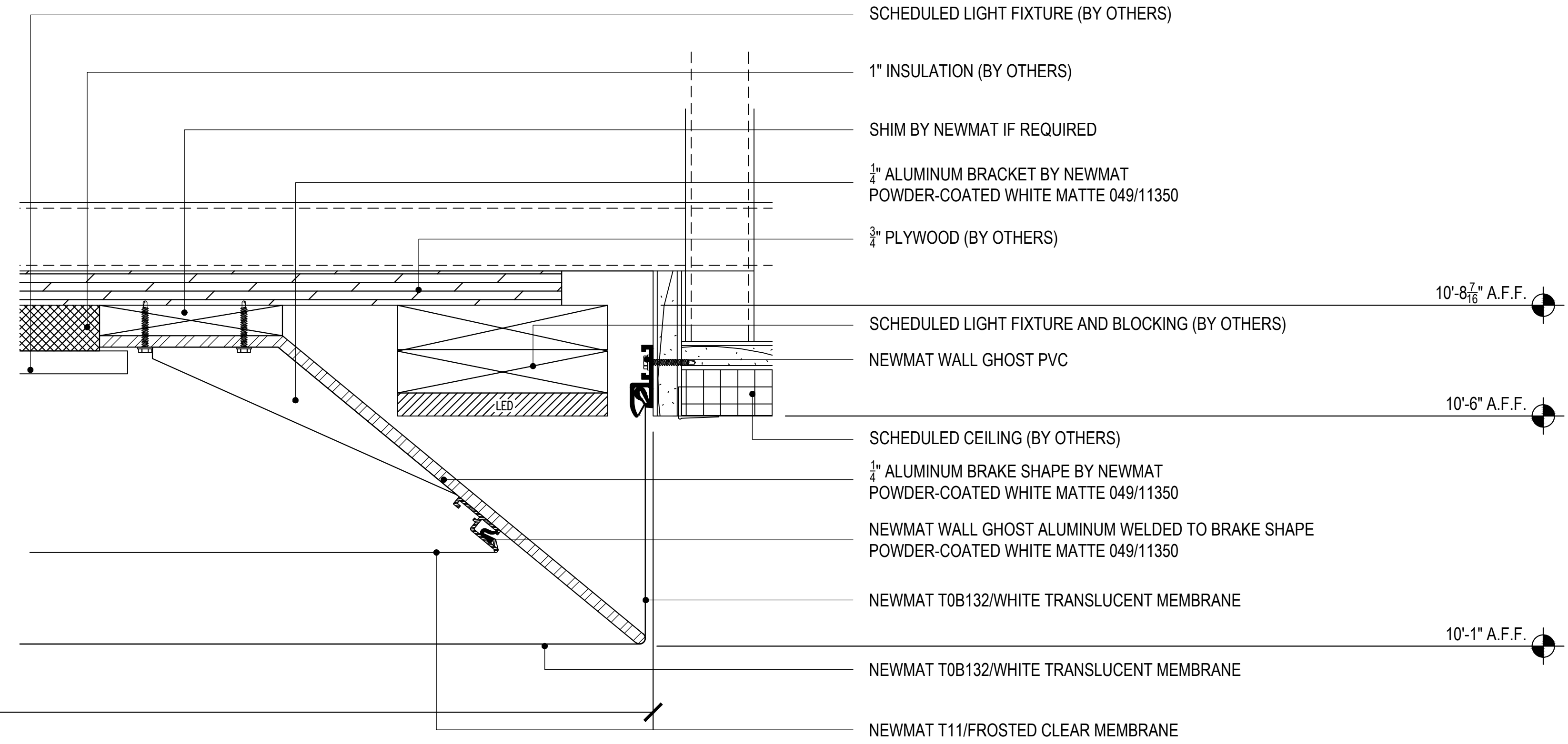
**AS BUILT
9/10/2014**

NOTICE: THESE DRAWINGS WERE PRODUCED BY AND ARE THE SOLE PROPERTY OF NEWMAT USA LTD ANY AND ALL INFORMATION CONTAINED HEREIN SHALL NOT BE USED BY ANY OTHER PERSON OR COMPANY WITHOUT THE EXPRESSED WRITTEN CONSENT OF NEWMAT USA LTD. THE DRAWINGS MAY HAVE BEEN BASED ON CONSTRUCTION DRAWINGS NOT PREPARED BY NEWMAT USA LTD. THEREFORE MAY NOT REPRESENT THE CONDITIONS AS CONSTRUCTED AT THAT TIME.				81 MAHAN STREET, WEST BABYLON, NY 11704 TEL. (631) 261 1498 FAX (631) 261 1756		Scale: AS NOTED	Drawn By: R.K.
#	REVISIONS DATE	Drawn By	Checked By	Drawing Title: DETAILS		Job Number: 13-000	Date: 11/26/2013
A	12/3/2013	R.K.		Customer Name: COVINGTON & BURLING			
B	12/16/2013	R.K.		800-850 10TH STREET NW WASHINGTON, DC 20001			
C	3/7/2014	R.K.					
D							
E							

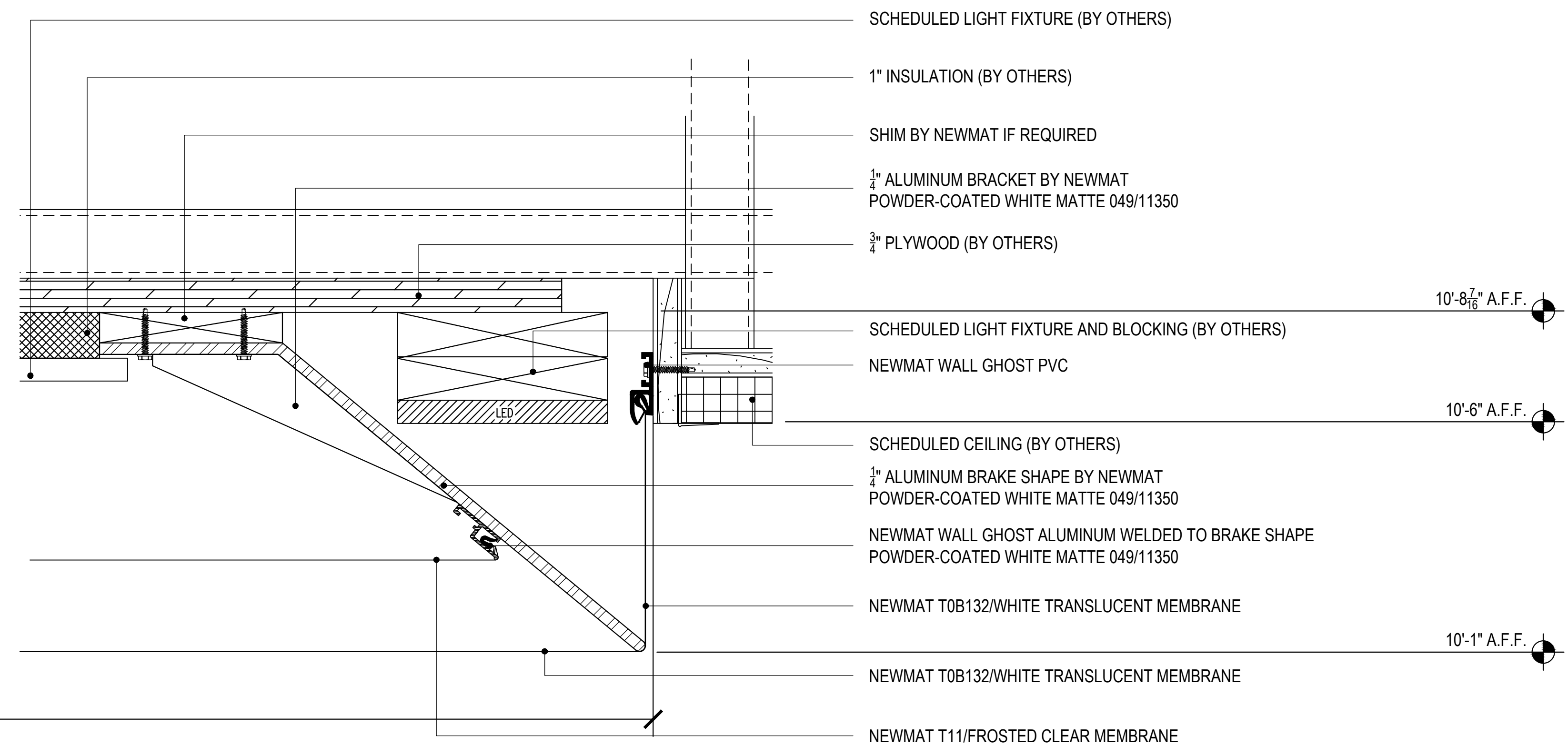




1 CEILING SECTION @ CONFERENCE RM N0112
SCALE: 6" = 1' - 0"



2 CEILING SECTION @ CONFERENCE RM N0112
SCALE: 6" = 1' - 0"



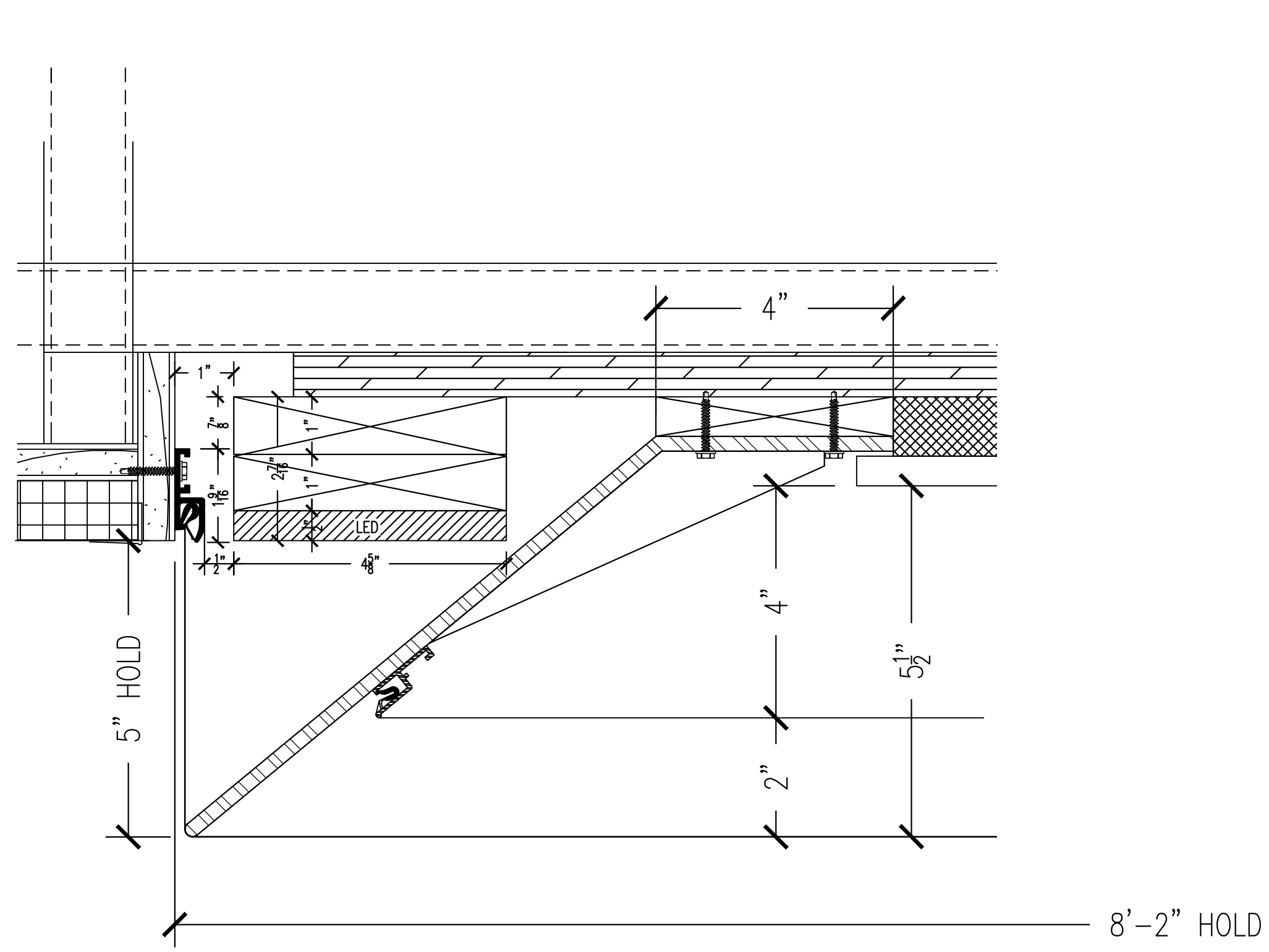
- NOTES:**
- 1) ALL DIMENSIONS AND LOCATIONS MUST BE V.I.F. PRIOR TO NEWMAT FABRICATION AND INSTALLATION.
 - 2) ALL DRYWALL APPLICATIONS REQUIRE 12" CONTINUOUS 16GA (MINIMUM) METAL STRAPPING REINFORCEMENT BEHIND DRYWALL AT ALL NEWMAT ATTACHMENT LOCATIONS.
 - 3) ALL "BLOCKING BY OTHERS", MUST BE CONTINUOUS, STRAIGHT, LEVEL AND/OR PLUMB AND ABLE TO WITHSTAND 30LBS. PER LINEAR FOOT OF LATERAL TENSION WHICH WILL BE EXERTED BY EACH LAYER OF MEMBRANE.

LEAD TIME: SIX TO EIGHT (6-8) WEEKS FROM RECEIPT OF REQUIRED DEPOSIT, APPROVED SAMPLES, APPROVED SHOP DRAWINGS, AND CONFIRMED MEASUREMENTS.

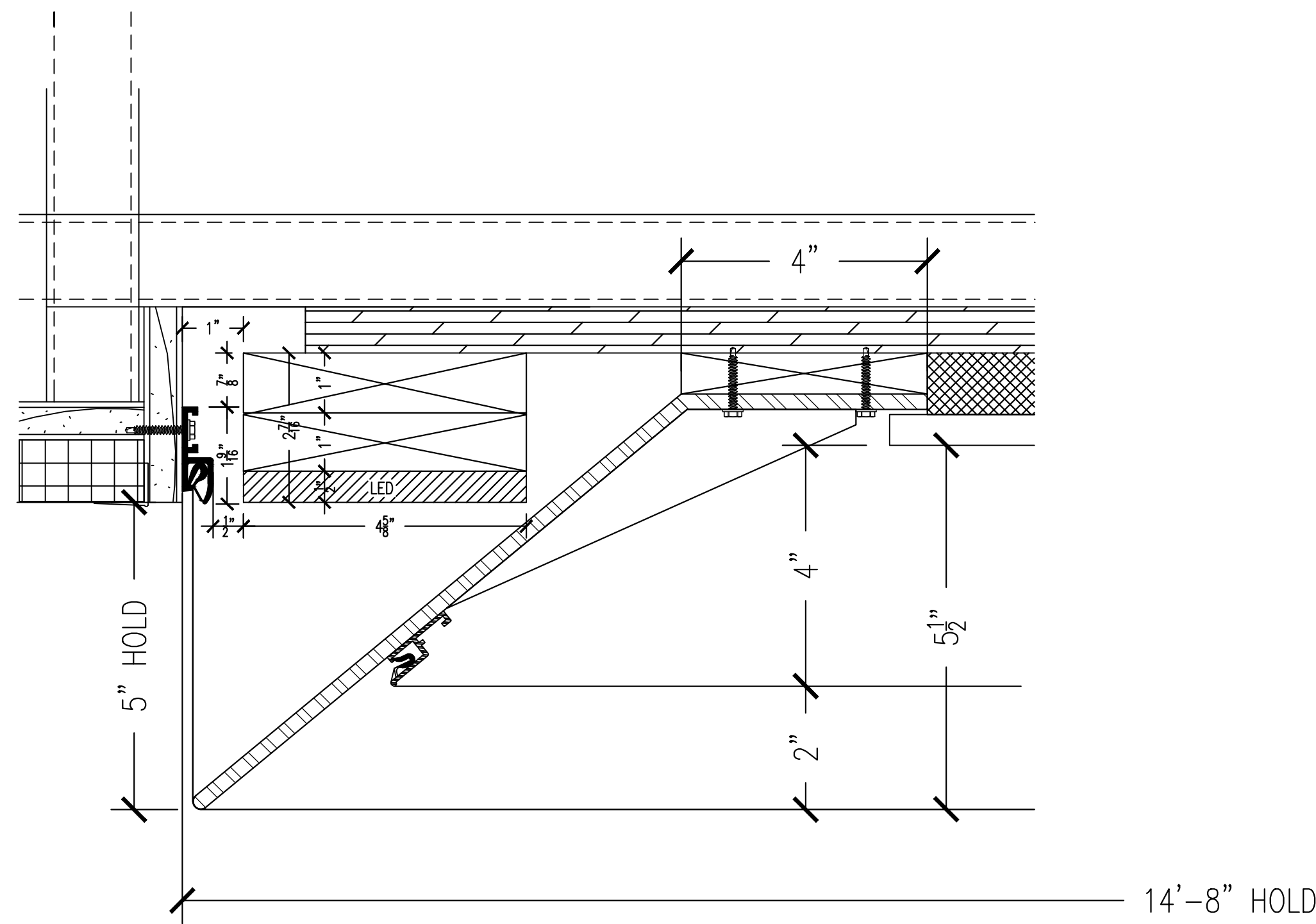
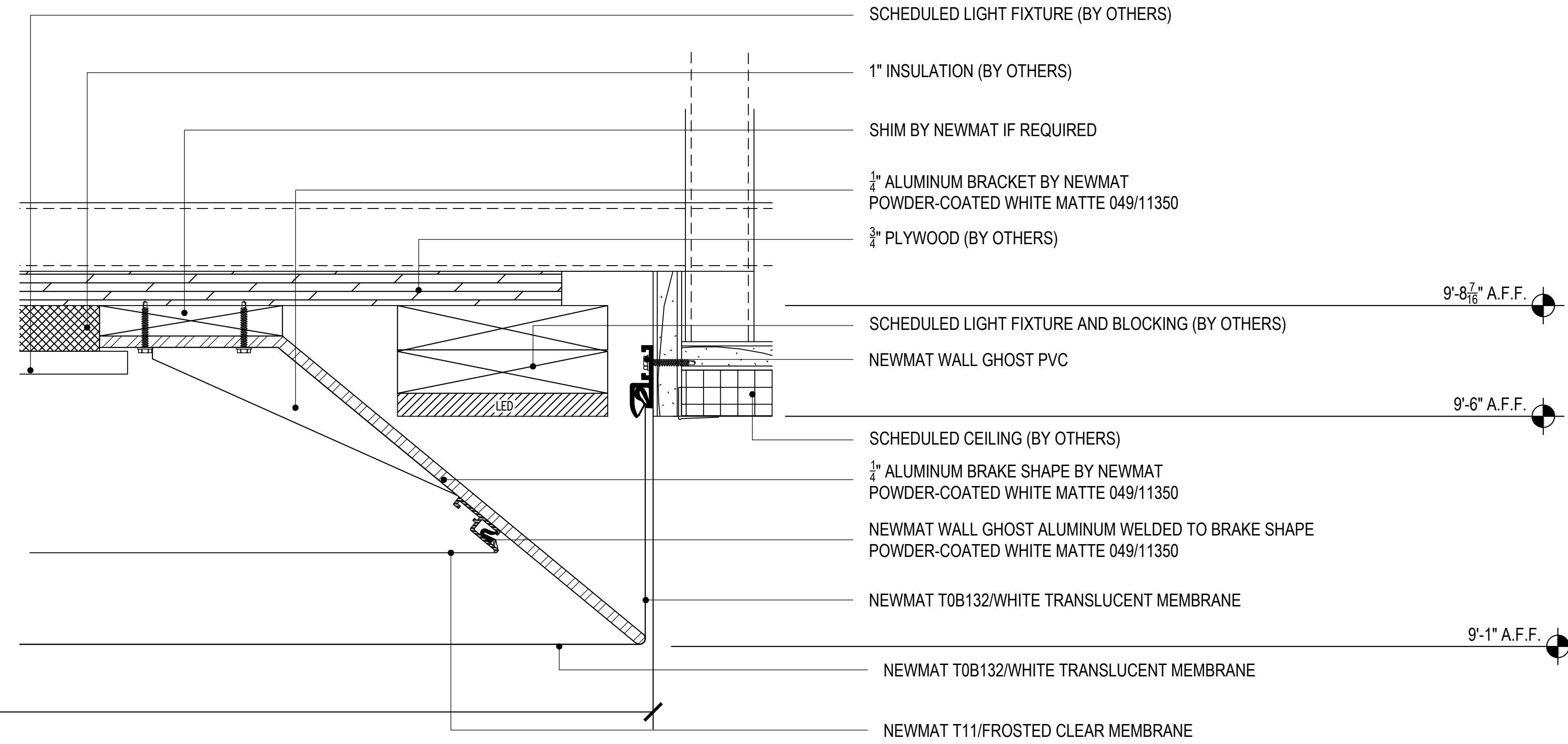
AS BUILT
9/10/2014

NOTICE:
THESE DRAWINGS WERE PRODUCED BY AND ARE THE SOLE PROPERTY OF NEWMAT USA LTD ANY AND ALL INFORMATION CONTAINED HEREIN SHALL NOT BE USED BY ANY OTHER PERSON OR COMPANY WITHOUT THE EXPRESSED WRITTEN CONSENT OF NEWMAT USA LTD. THE DRAWINGS MAY HAVE BEEN BASED ON CONSTRUCTION DRAWINGS NOT PREPARED BY NEWMAT USA LTD. THEREFORE MAY NOT REPRESENT THE CONDITIONS AS CONSTRUCTED AT THAT TIME.

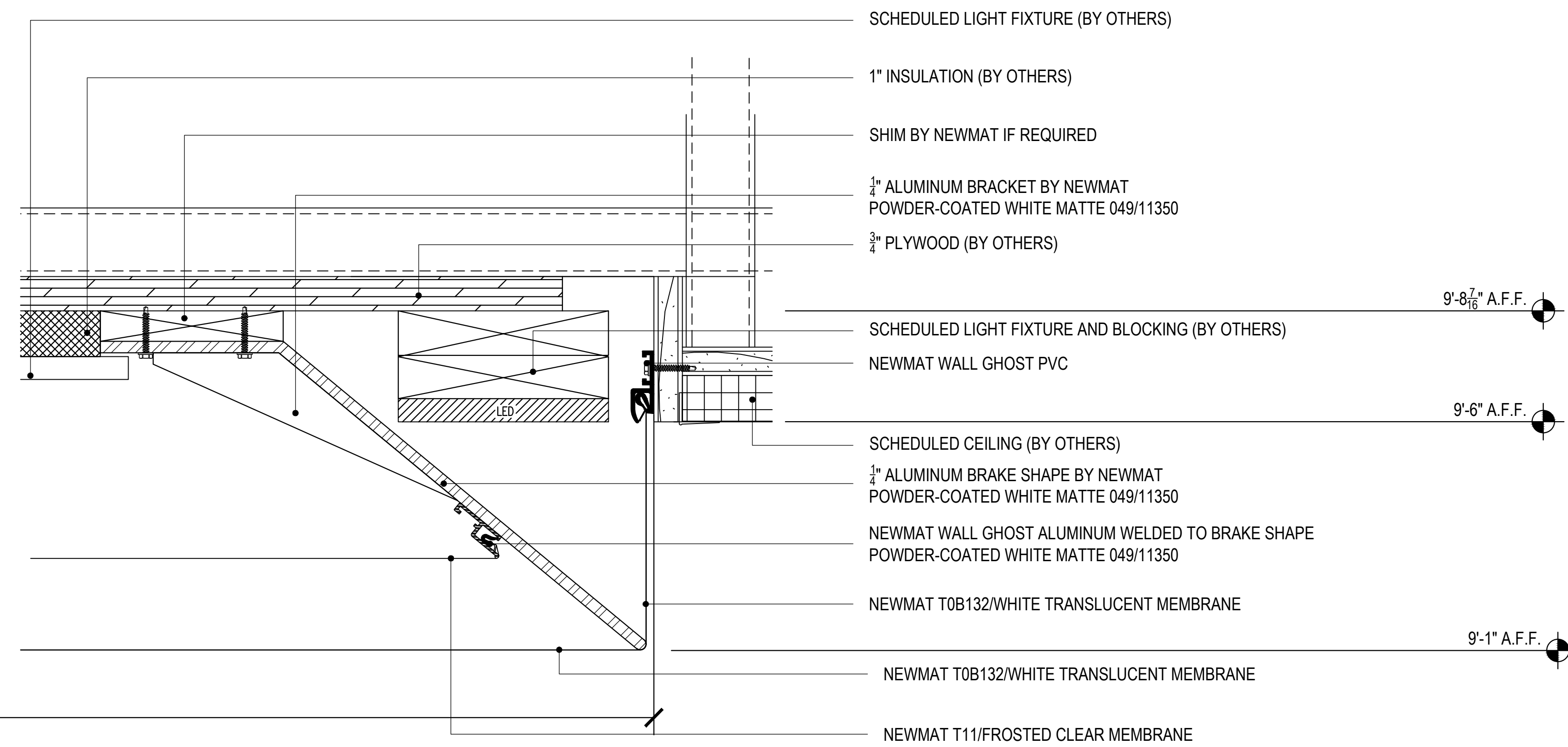
NEWMAT NORTHEAST CORP. STRETCH CEILING SYSTEMS	#	REVISIONS:	Drawn	Checked	81 MAHAN STREET, WEST BABYLON, NY 11704 TEL: (631) 261 1498 FAX: (631) 261 1756 Drawing Title: DETAILS Job Title: COVINGTON & BURLING Customer Name: COVINGTON & BURLING 800-850 10TH STREET NW WASHINGTON, DC 20001	Scale:	Drawn By:
	A	12/3/2013	R.K.			AS NOTED	R.K.
	B	12/16/2013	R.K.				Checked By:
	C	3/7/2014	R.K.			Job Number:	Date:
	D					13-000	11/26/2013
E					Drawing Number:		
					A-06		



1 CEILING SECTION @ LEVEL 3-9 NORTH, 7-9 SOUTH
SCALE: 6" = 1' - 0"



2 CEILING SECTION @ LEVEL 3-9 NORTH, 7-9 SOUTH
SCALE: 6" = 1' - 0"



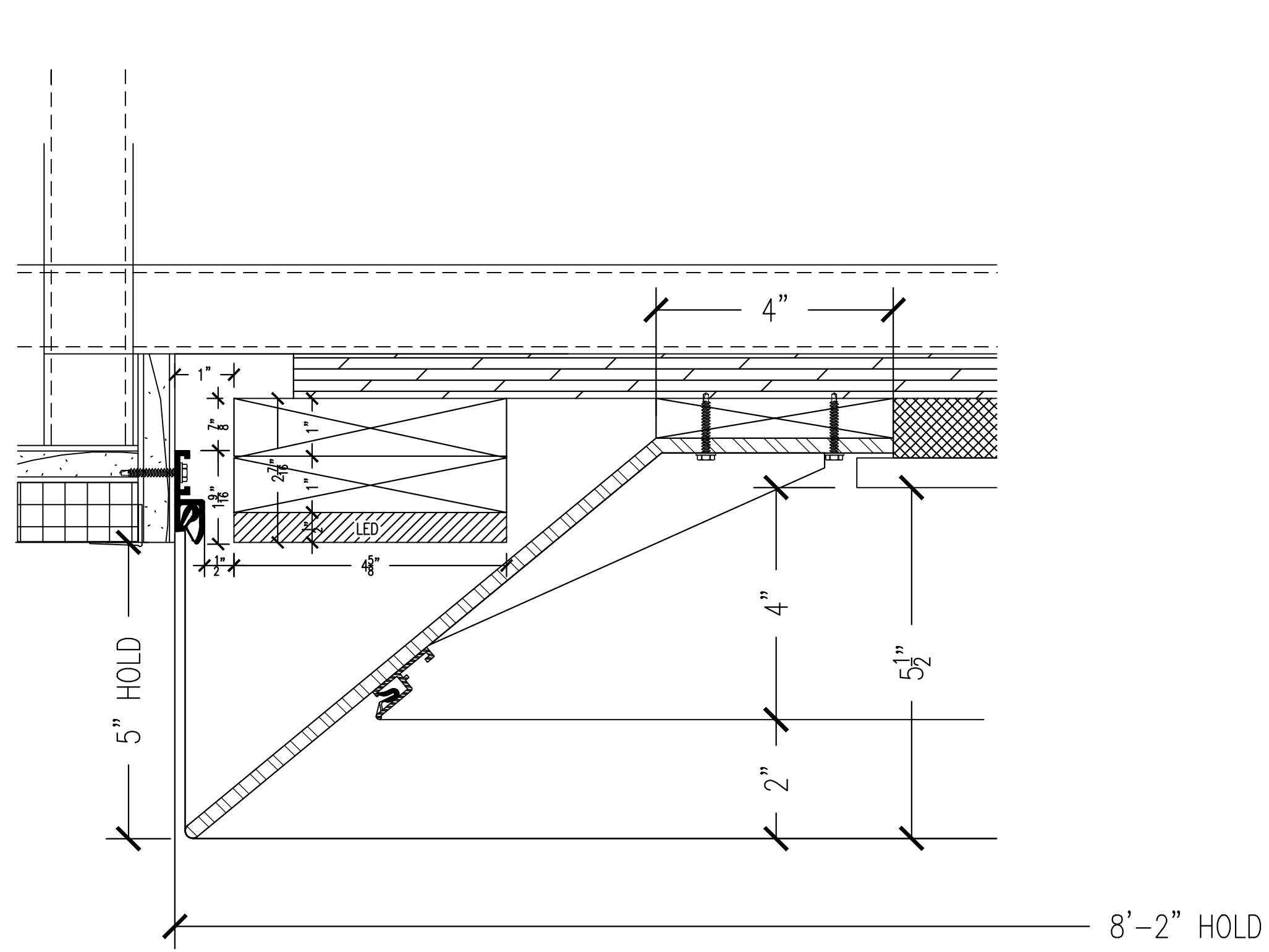
- NOTES:**
- 1) ALL DIMENSIONS AND LOCATIONS MUST BE V.I.F. PRIOR TO NEWMAT FABRICATION AND INSTALLATION.
 - 2) ALL DRYWALL APPLICATIONS REQUIRE 12" CONTINUOUS 16GA (MINIMUM) METAL STRAPPING REINFORCEMENT BEHIND DRYWALL AT ALL NEWMAT ATTACHMENT LOCATIONS.
 - 3) ALL "BLOCKING BY OTHERS", MUST BE CONTINUOUS, STRAIGHT, LEVEL AND/OR PLUMB AND ABLE TO WITHSTAND 30LBS. PER LINEAR FOOT OF LATERAL TENSION WHICH WILL BE EXERTED BY EACH LAYER OF MEMBRANE.

LEAD TIME: SIX TO EIGHT (6-8) WEEKS FROM RECEIPT OF REQUIRED DEPOSIT, APPROVED SAMPLES, APPROVED SHOP DRAWINGS, AND CONFIRMED MEASUREMENTS.

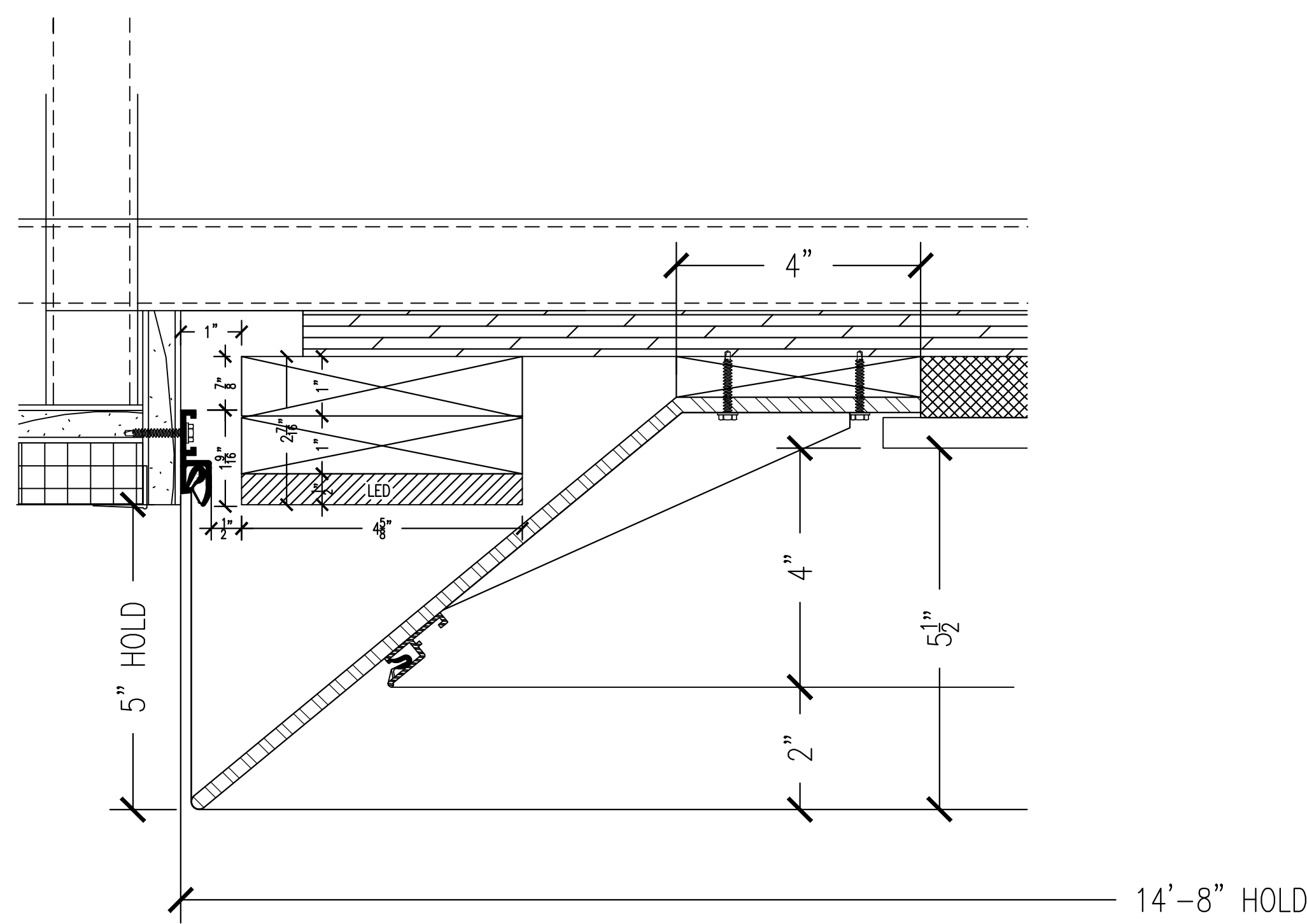
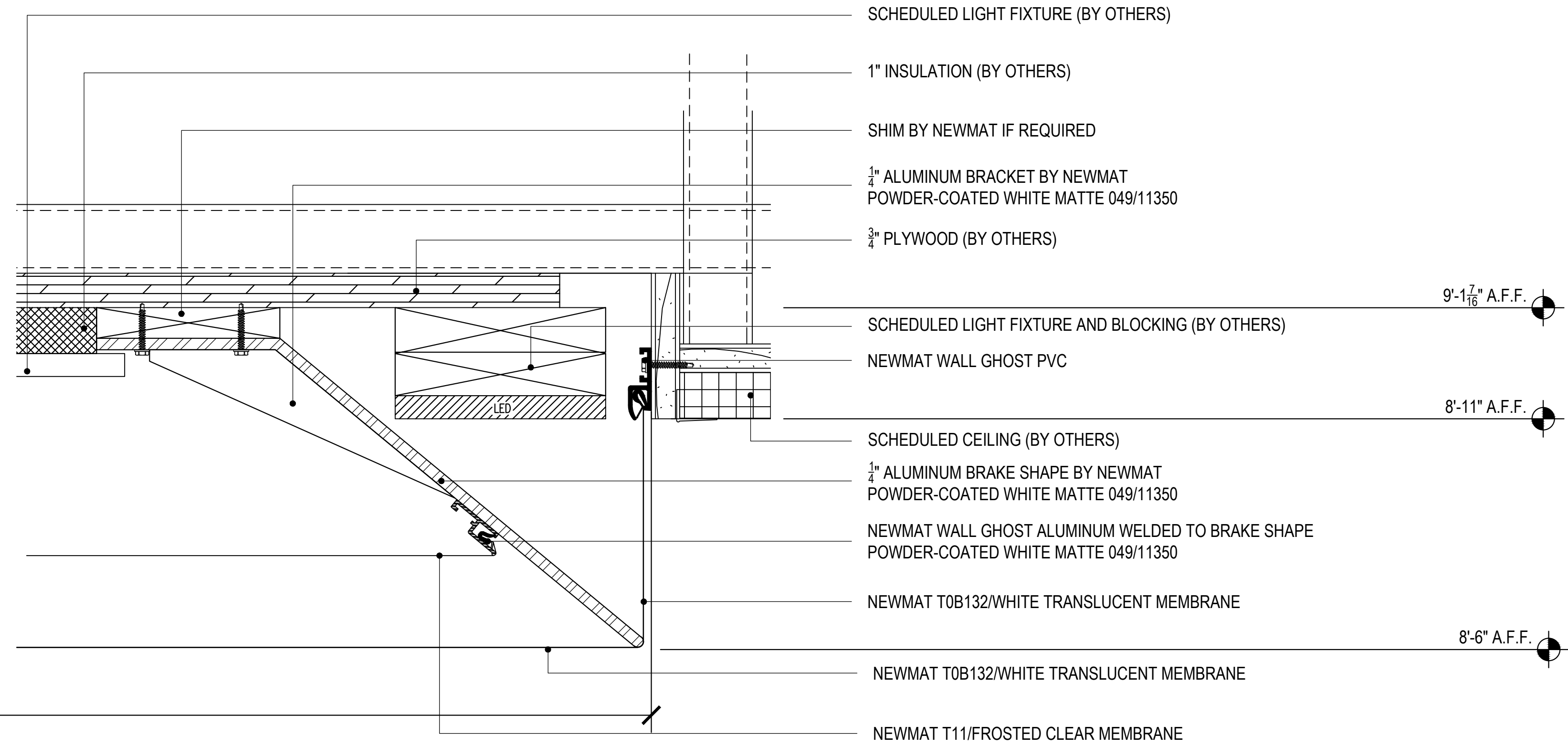
AS BUILT
9/10/2014

NOTICE:
THESE DRAWINGS WERE PRODUCED BY AND ARE THE SOLE PROPERTY OF NEWMAT USA LTD ANY AND ALL INFORMATION CONTAINED HEREIN SHALL NOT BE USED BY ANY OTHER PERSON OR COMPANY WITHOUT THE EXPRESSED WRITTEN CONSENT OF NEWMAT USA LTD. THE DRAWINGS MAY HAVE BEEN BASED ON CONSTRUCTION DRAWINGS NOT PREPARED BY NEWMAT USA LTD. THEREFORE MAY NOT REPRESENT THE CONDITIONS AS CONSTRUCTED AT THAT TIME.

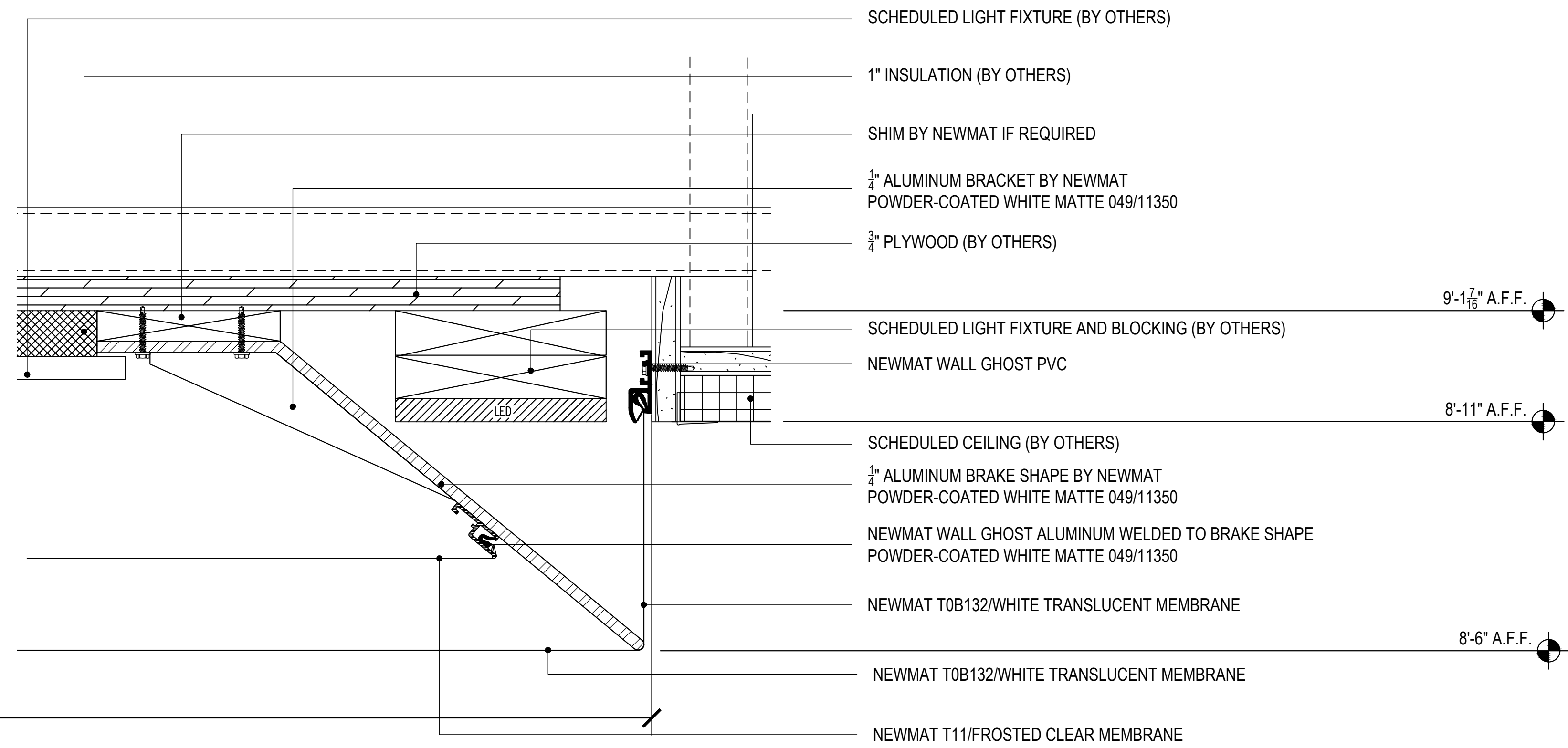
NEWMAT NORTHEAST CORP. STRETCH CEILING SYSTEMS	#	REVISIONS:	Drawn	Checked	81 MAHAN STREET, WEST BABYLON, NY 11704 TEL. (631) 261 1498 FAX (631) 261 1756 Drawing Title: DETAILS Job Title: COVINGTON & BURLING Customer Name: COVINGTON & BURLING 800-850 10TH STREET NW WASHINGTON, DC 20001	Scale:	Drawn By:
	A	12/3/2013	R.K.			AS NOTED	R.K.
	B	12/16/2013	R.K.				Checked By:
	C	3/7/2014	R.K.				Job Number:
	D						Date:
E					11/26/2013		
					13-000		
					Drawing Number:		
					A-07		



1 CEILING SECTION @ LEVEL 2 NORTH, 2 SOUTH
SCALE: 6" = 1' - 0"



2 CEILING SECTION @ LEVEL 2 NORTH, 2 SOUTH
SCALE: 6" = 1' - 0"



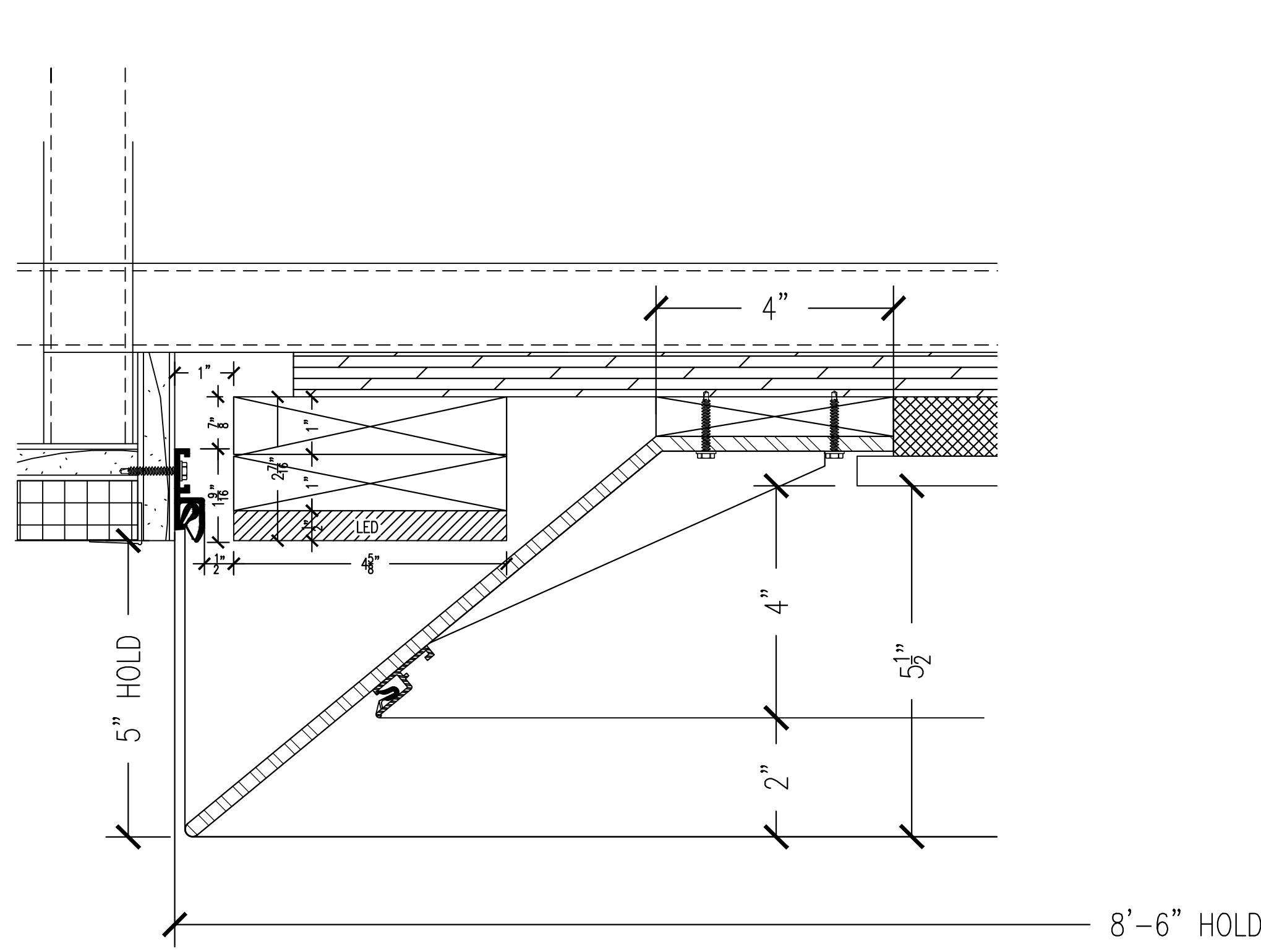
NOTES:
 1) ALL DIMENSIONS AND LOCATIONS MUST BE V.I.F. PRIOR TO NEWMAT FABRICATION AND INSTALLATION.
 2) ALL DRYWALL APPLICATIONS REQUIRE 12" CONTINUOUS 16GA (MINIMUM) METAL STRAPPING REINFORCEMENT BEHIND DRYWALL AT ALL NEWMAT ATTACHMENT LOCATIONS.
 3) ALL "BLOCKING BY OTHERS", MUST BE CONTINUOUS, STRAIGHT, LEVEL AND/OR PLUMB AND ABLE TO WITHSTAND 30LBS. PER LINEAR FOOT OF LATERAL TENSION WHICH WILL BE EXERTED BY EACH LAYER OF MEMBRANE.

LEAD TIME: SIX TO EIGHT (6-8) WEEKS FROM RECEIPT OF REQUIRED DEPOSIT, APPROVED SAMPLES, APPROVED SHOP DRAWINGS, AND CONFIRMED MEASUREMENTS.

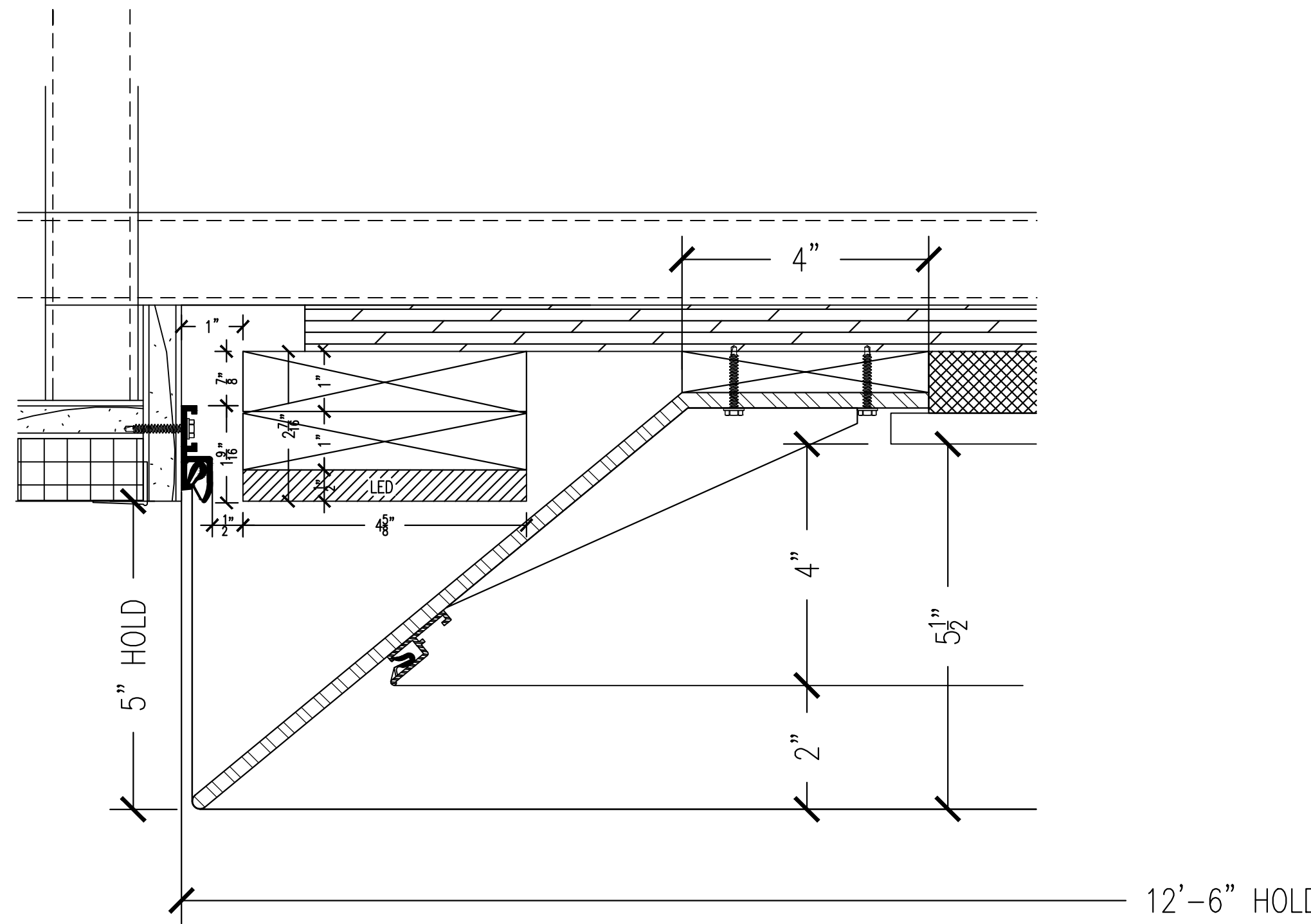
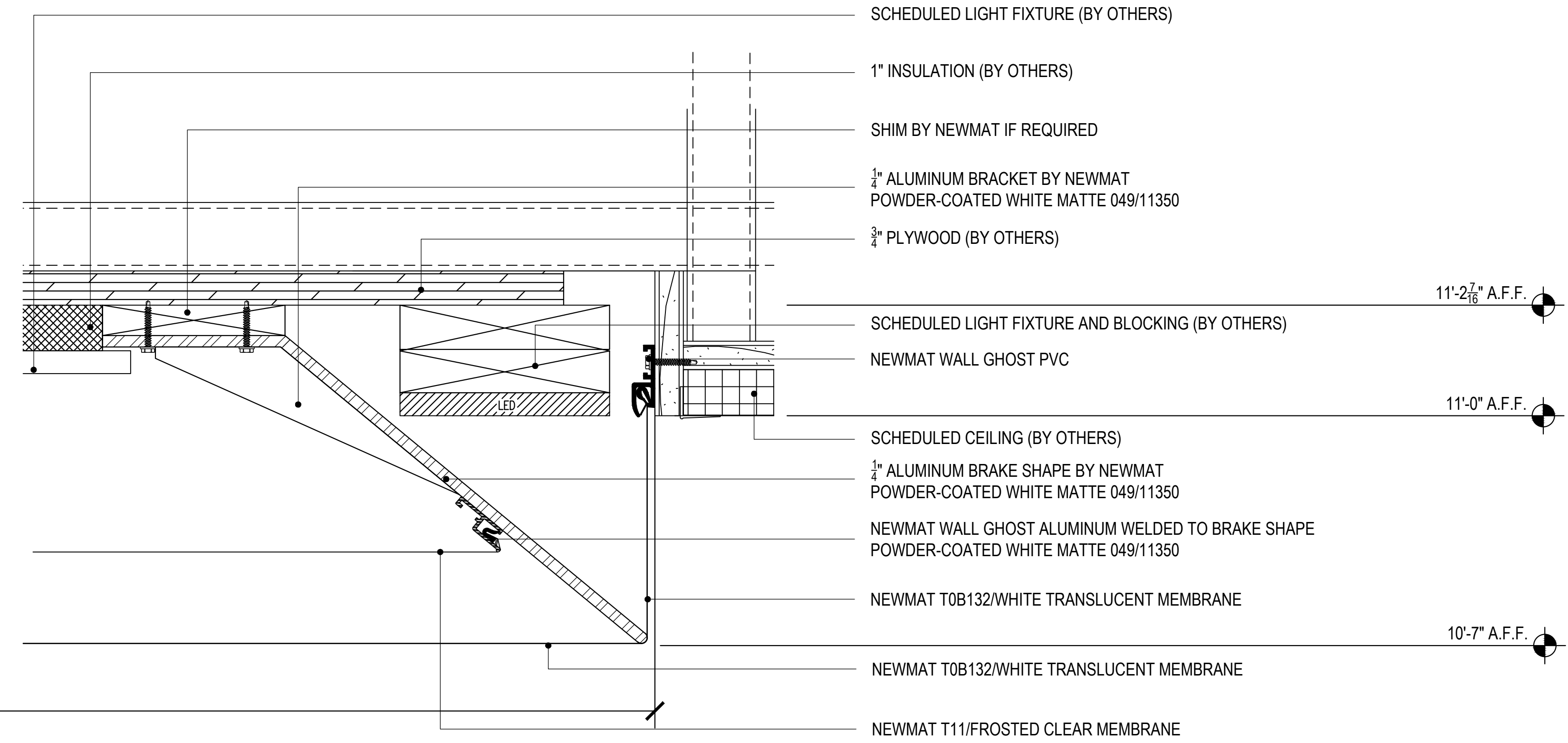
AS BUILT
9/10/2014

NOTICE:
 THESE DRAWINGS WERE PRODUCED BY AND ARE THE SOLE PROPERTY OF NEWMAT USA LTD ANY AND ALL INFORMATION CONTAINED HEREIN SHALL NOT BE USED BY ANY OTHER PERSON OR COMPANY WITHOUT THE EXPRESSED WRITTEN CONSENT OF NEWMAT USA LTD. THE DRAWINGS MAY HAVE BEEN BASED ON CONSTRUCTION DRAWINGS NOT PREPARED BY NEWMAT USA LTD. THEREFORE MAY NOT REPRESENT THE CONDITIONS AS CONSTRUCTED AT THAT TIME.

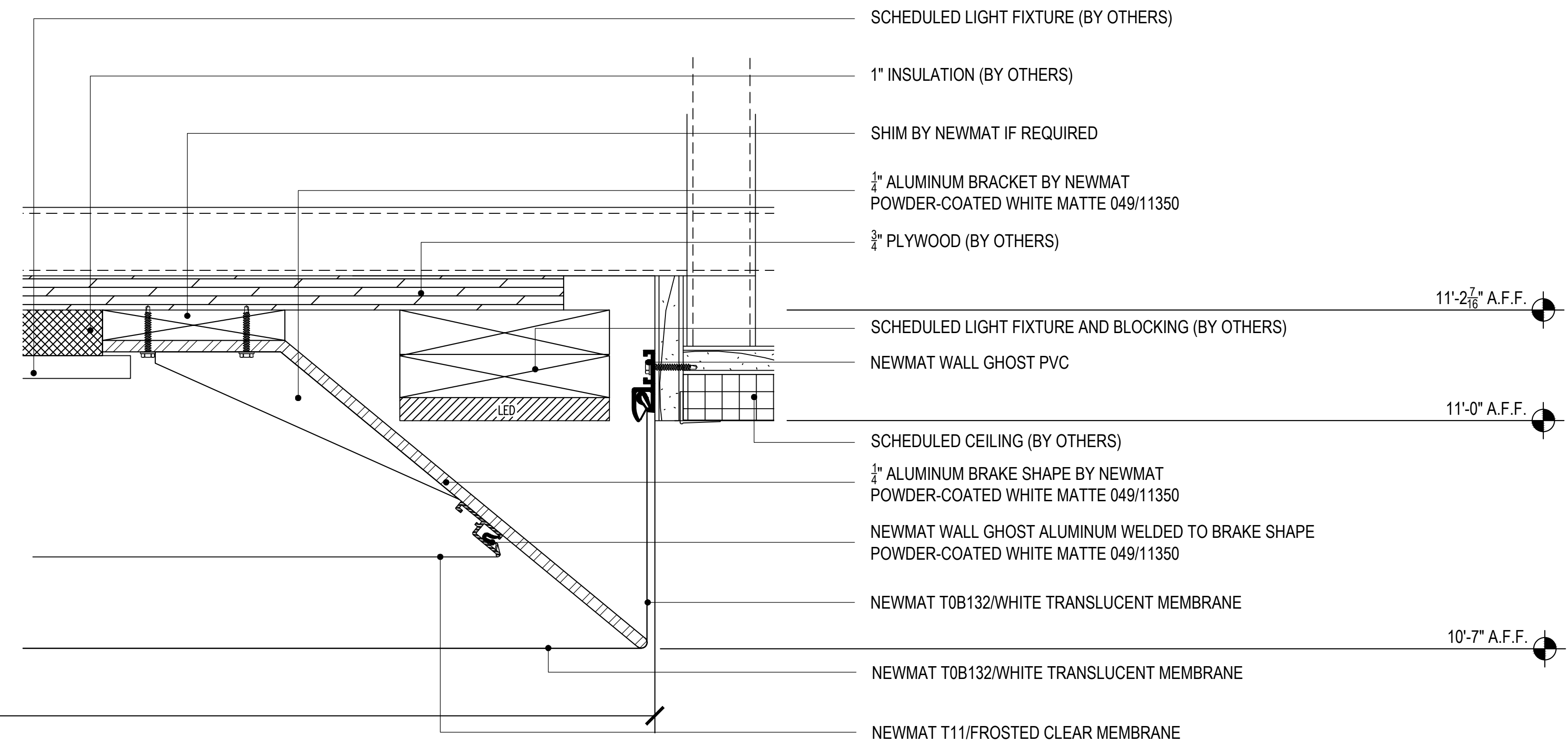
NEWMAT NORTHEAST CORP. 	#	REVISIONS:	Drawn	Checked	81 MAHAN STREET, WEST BABYLON, NY 11704 TEL: (631) 261 1498 FAX: (631) 261 1756 Drawing Title: DETAILS Job Title: COVINGTON & BURLING Customer Name: COVINGTON & BURLING 800-850 10TH STREET NW WASHINGTON, DC 20001	Scale:	Drawn By:
	A	12/3/2013	R.K.			AS NOTED	R.K.
	B	12/16/2013	R.K.				Checked By:
	C	3/7/2014	R.K.			Job Number:	Date:
	D					13-000	11/26/2013
E					Drawing Number:	A-08	



1 CEILING SECTION @ LEVEL 2 NORTH, 2 SOUTH
SCALE: 6" = 1' - 0"



2 CEILING SECTION @ LEVEL 2 NORTH, 2 SOUTH
SCALE: 6" = 1' - 0"



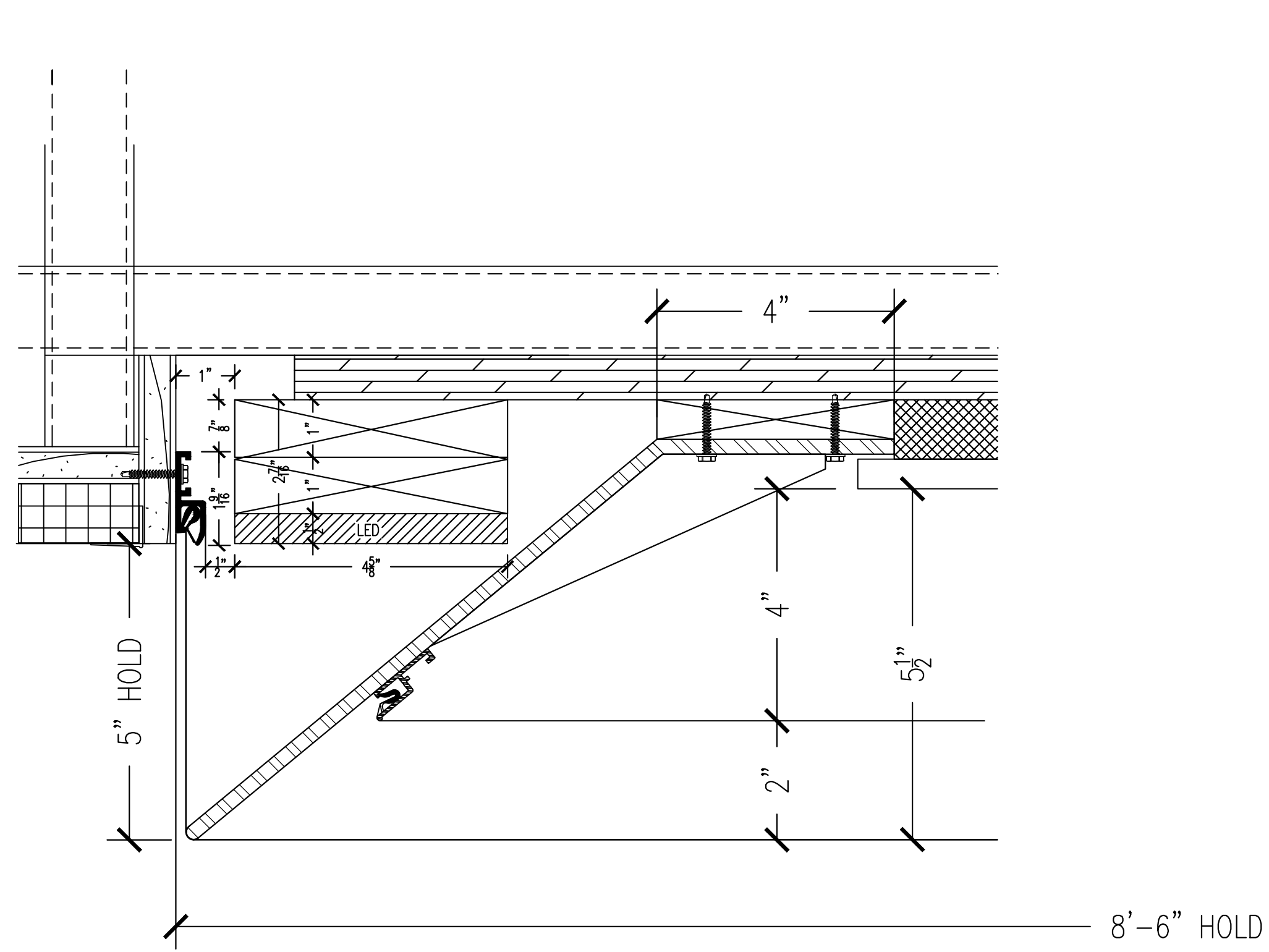
NOTES:
 1) ALL DIMENSIONS AND LOCATIONS MUST BE V.I.F. PRIOR TO NEWMAT FABRICATION AND INSTALLATION.
 2) ALL DRYWALL APPLICATIONS REQUIRE 12" CONTINUOUS 16GA (MINIMUM) METAL STRAPPING REINFORCEMENT BEHIND DRYWALL AT ALL NEWMAT ATTACHMENT LOCATIONS.
 3) ALL "BLOCKING BY OTHERS", MUST BE CONTINUOUS, STRAIGHT, LEVEL AND/OR PLUMB AND ABLE TO WITHSTAND 30LBS. PER LINEAR FOOT OF LATERAL TENSION WHICH WILL BE EXERTED BY EACH LAYER OF MEMBRANE.

LEAD TIME: SIX TO EIGHT (6-8) WEEKS FROM RECEIPT OF REQUIRED DEPOSIT, APPROVED SAMPLES, APPROVED SHOP DRAWINGS, AND CONFIRMED MEASUREMENTS.

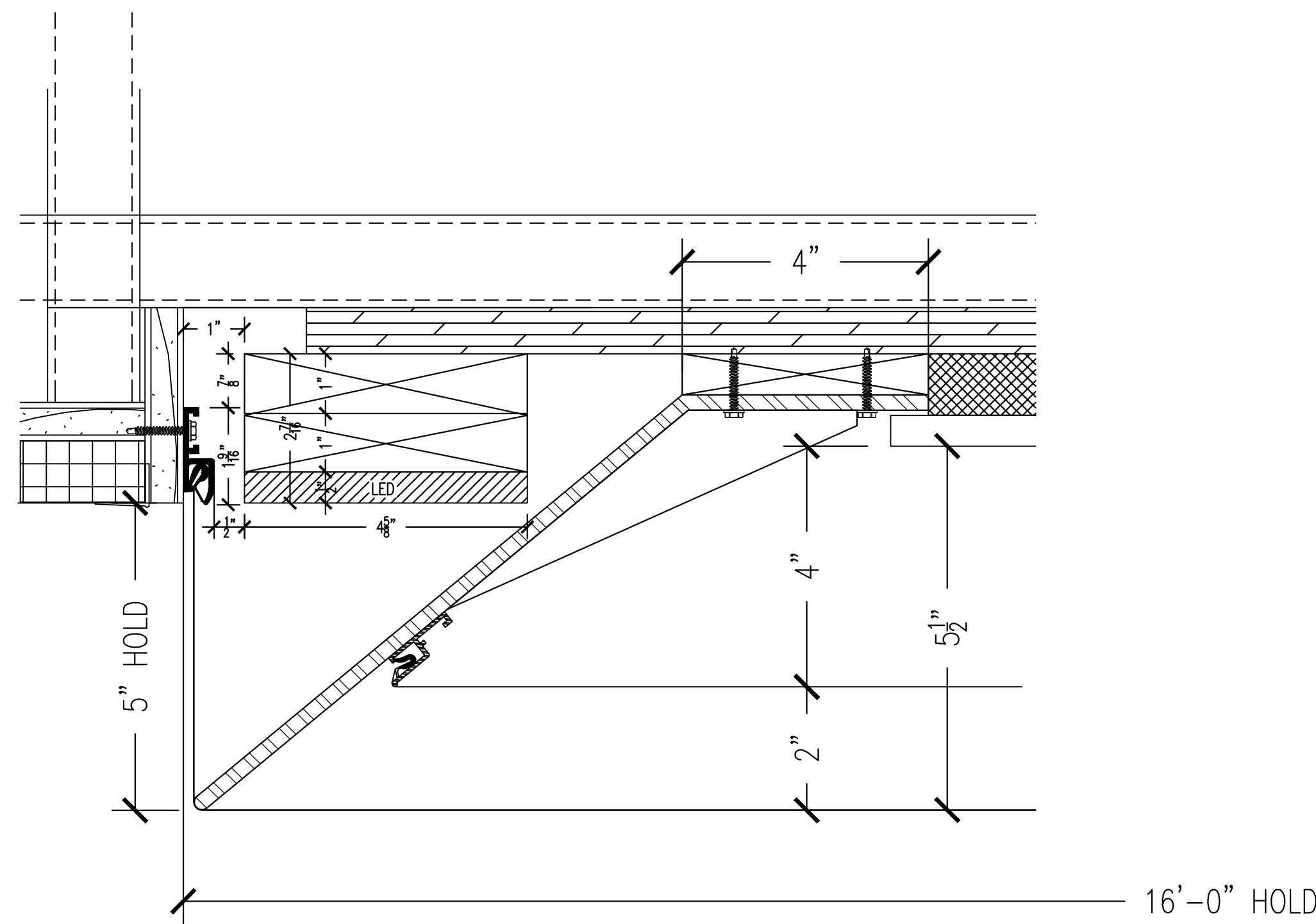
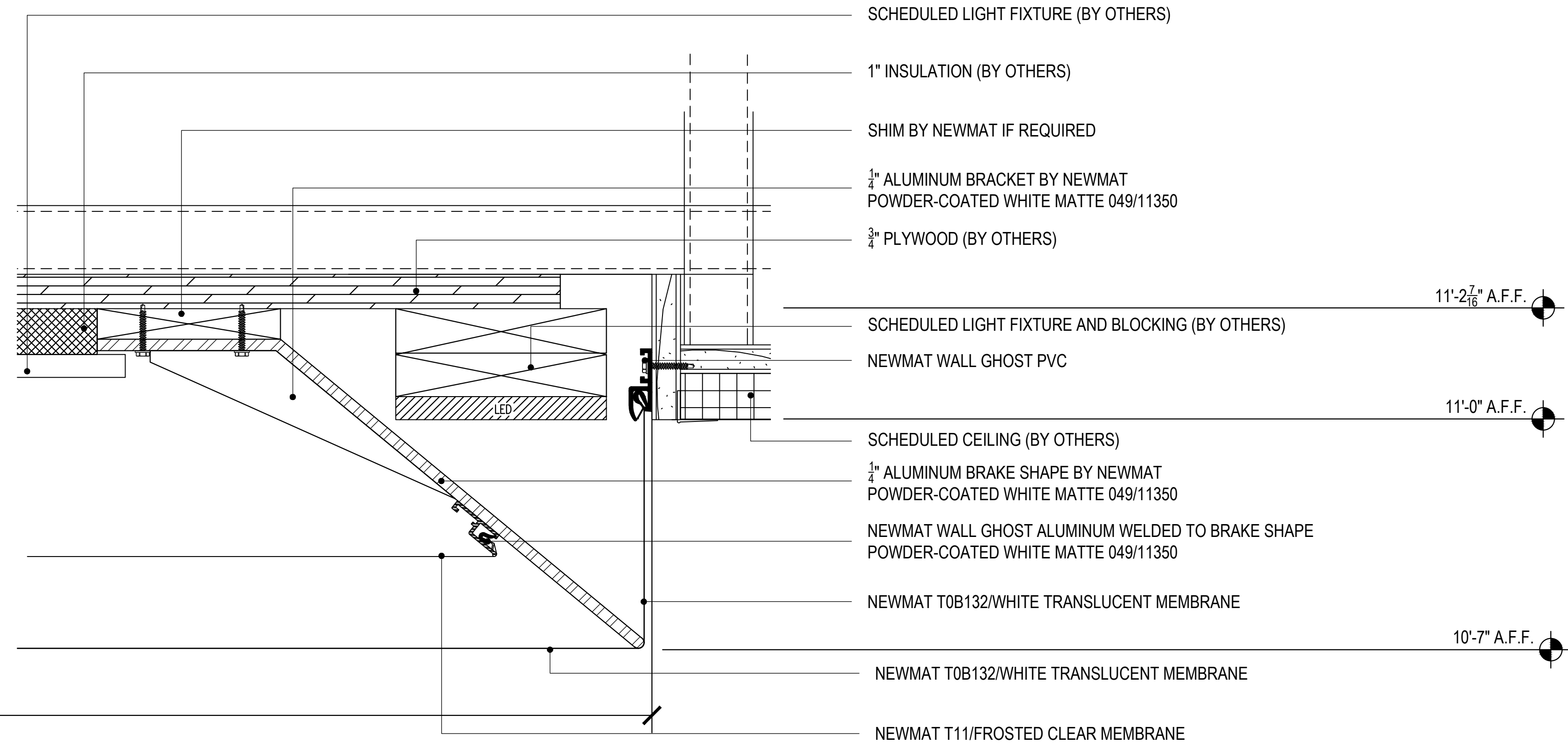
AS BUILT
9/10/2014

NOTICE:
 THESE DRAWINGS WERE PRODUCED BY AND ARE THE SOLE PROPERTY OF NEWMAT USA LTD ANY AND ALL INFORMATION CONTAINED HEREIN SHALL NOT BE USED BY ANY OTHER PERSON OR COMPANY WITHOUT THE EXPRESSED WRITTEN CONSENT OF NEWMAT USA LTD. THE DRAWINGS MAY HAVE BEEN BASED ON CONSTRUCTION DRAWINGS NOT PREPARED BY NEWMAT USA LTD. THEREFORE MAY NOT REPRESENT THE CONDITIONS AS CONSTRUCTED AT THAT TIME.

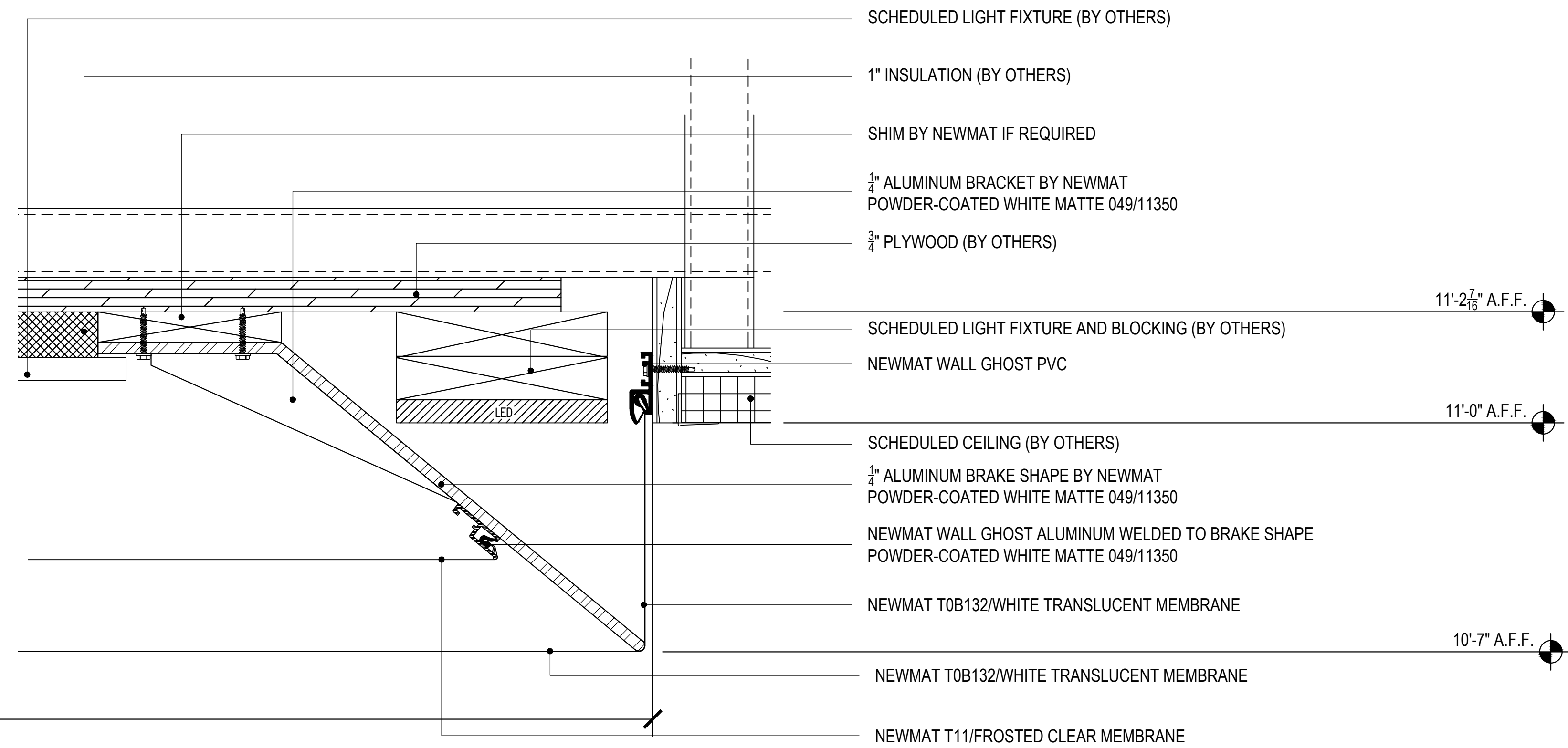
NEWMAT NORTHEAST CORP. 	#	REVISIONS:	Drawn	Checked	81 MAHAN STREET, WEST BABYLON, NY 11704 TEL: (631) 261 1498 FAX: (631) 261 1756 Drawing Title: DETAILS Job Title: COVINGTON & BURLING Customer Name: COVINGTON & BURLING 800-850 10TH STREET NW WASHINGTON, DC 20001	Scale:	Drawn By:
	A	12/3/2013	R.K.			AS NOTED	R.K.
	B	12/16/2013	R.K.				Checked By:
	C	3/7/2014	R.K.			Job Number:	Date:
	D					13-000	11/26/2013
E					Drawing Number:		
					A-09		



1 CEILING SECTION @ LEVEL 10 NORTH
SCALE: 6" = 1' - 0"



2 CEILING SECTION @ LEVEL 10 NORTH
SCALE: 6" = 1' - 0"



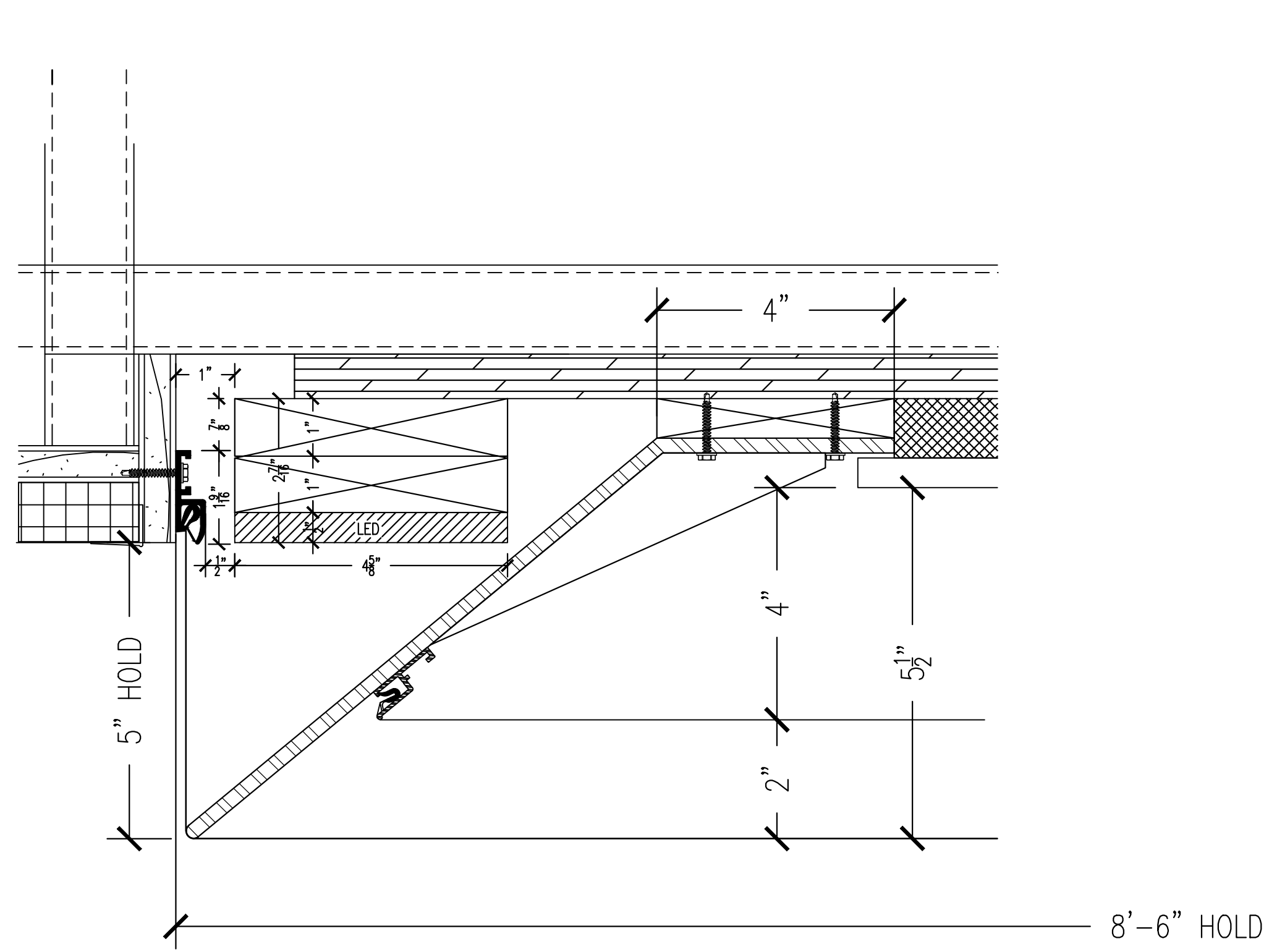
- NOTES:**
- 1) ALL DIMENSIONS AND LOCATIONS MUST BE V.I.F. PRIOR TO NEWMAT FABRICATION AND INSTALLATION.
 - 2) ALL DRYWALL APPLICATIONS REQUIRE 12" CONTINUOUS 16GA (MINIMUM) METAL STRAPPING REINFORCEMENT BEHIND DRYWALL AT ALL NEWMAT ATTACHMENT LOCATIONS.
 - 3) ALL "BLOCKING BY OTHERS", MUST BE CONTINUOUS, STRAIGHT, LEVEL AND/OR PLUMB AND ABLE TO WITHSTAND 30LBS. PER LINEAR FOOT OF LATERAL TENSION WHICH WILL BE EXERTED BY EACH LAYER OF MEMBRANE.

LEAD TIME: SIX TO EIGHT (6-8) WEEKS FROM RECEIPT OF REQUIRED DEPOSIT, APPROVED SAMPLES, APPROVED SHOP DRAWINGS, AND CONFIRMED MEASUREMENTS.

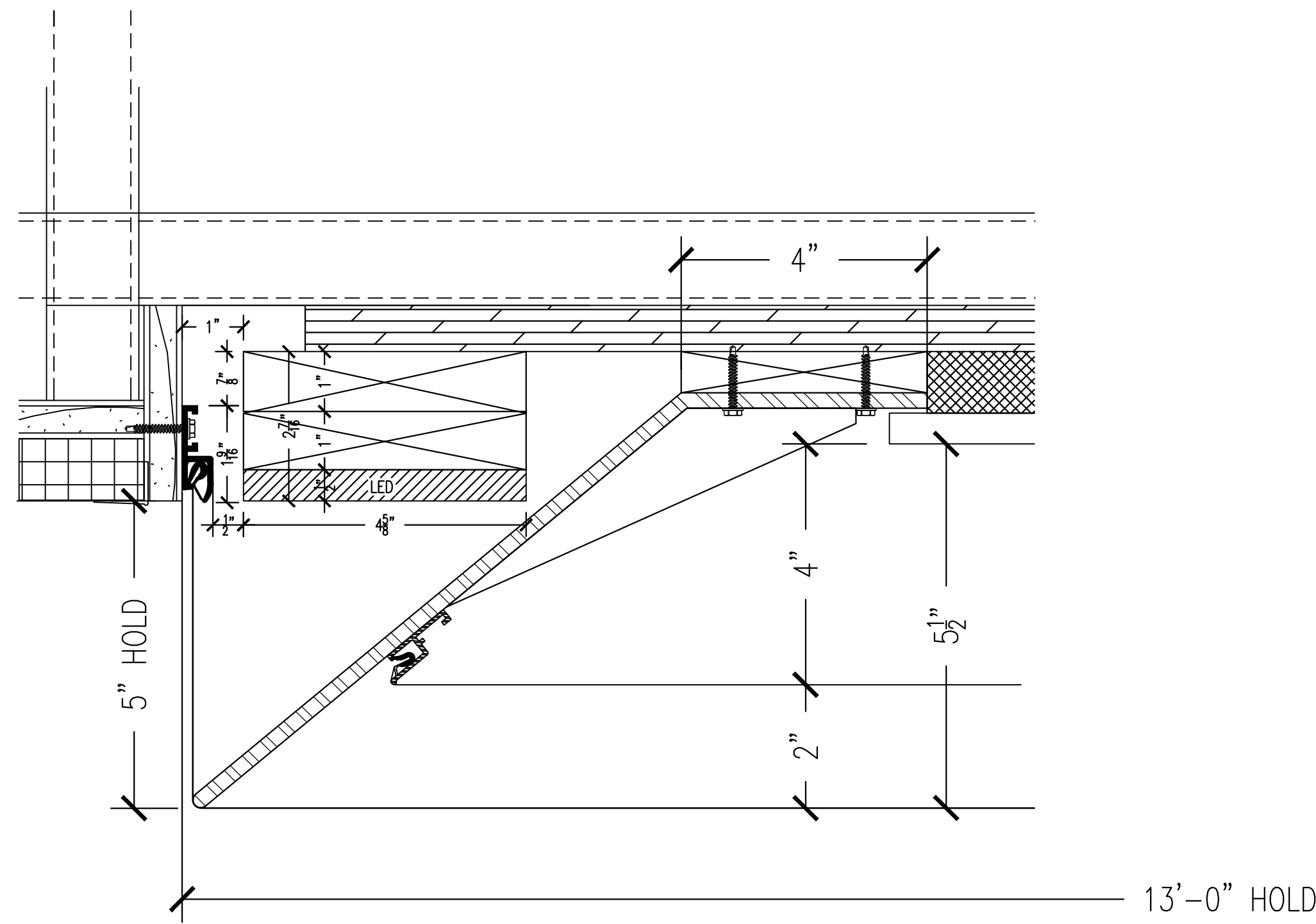
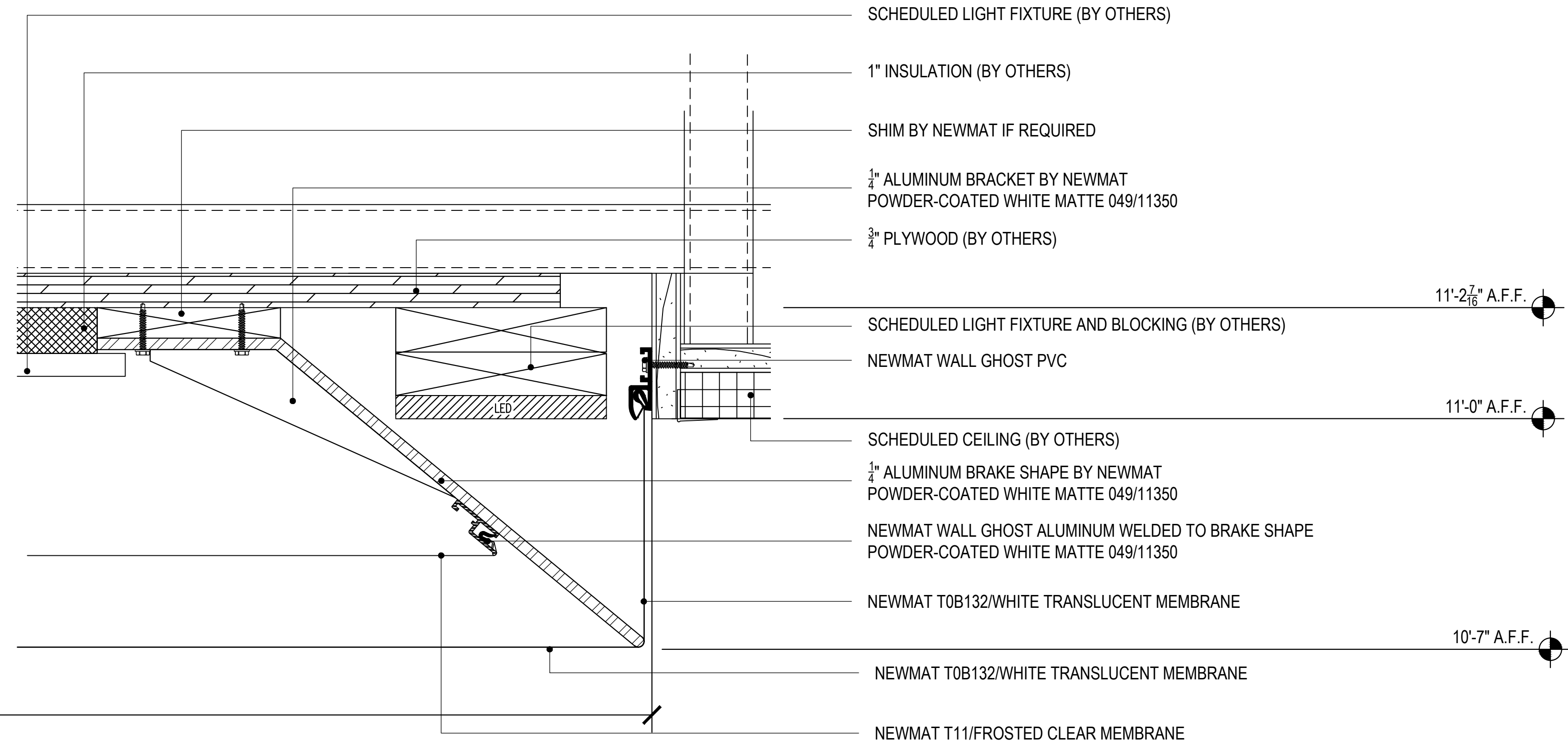
AS BUILT
9/10/2014

NOTICE:
THESE DRAWINGS WERE PRODUCED BY AND ARE THE SOLE PROPERTY OF NEWMAT USA LTD ANY AND ALL INFORMATION CONTAINED HEREIN SHALL NOT BE USED BY ANY OTHER PERSON OR COMPANY WITHOUT THE EXPRESSED WRITTEN CONSENT OF NEWMAT USA LTD. THE DRAWINGS MAY HAVE BEEN BASED ON CONSTRUCTION DRAWINGS NOT PREPARED BY NEWMAT USA LTD. THEREFORE MAY NOT REPRESENT THE CONDITIONS AS CONSTRUCTED AT THAT TIME.

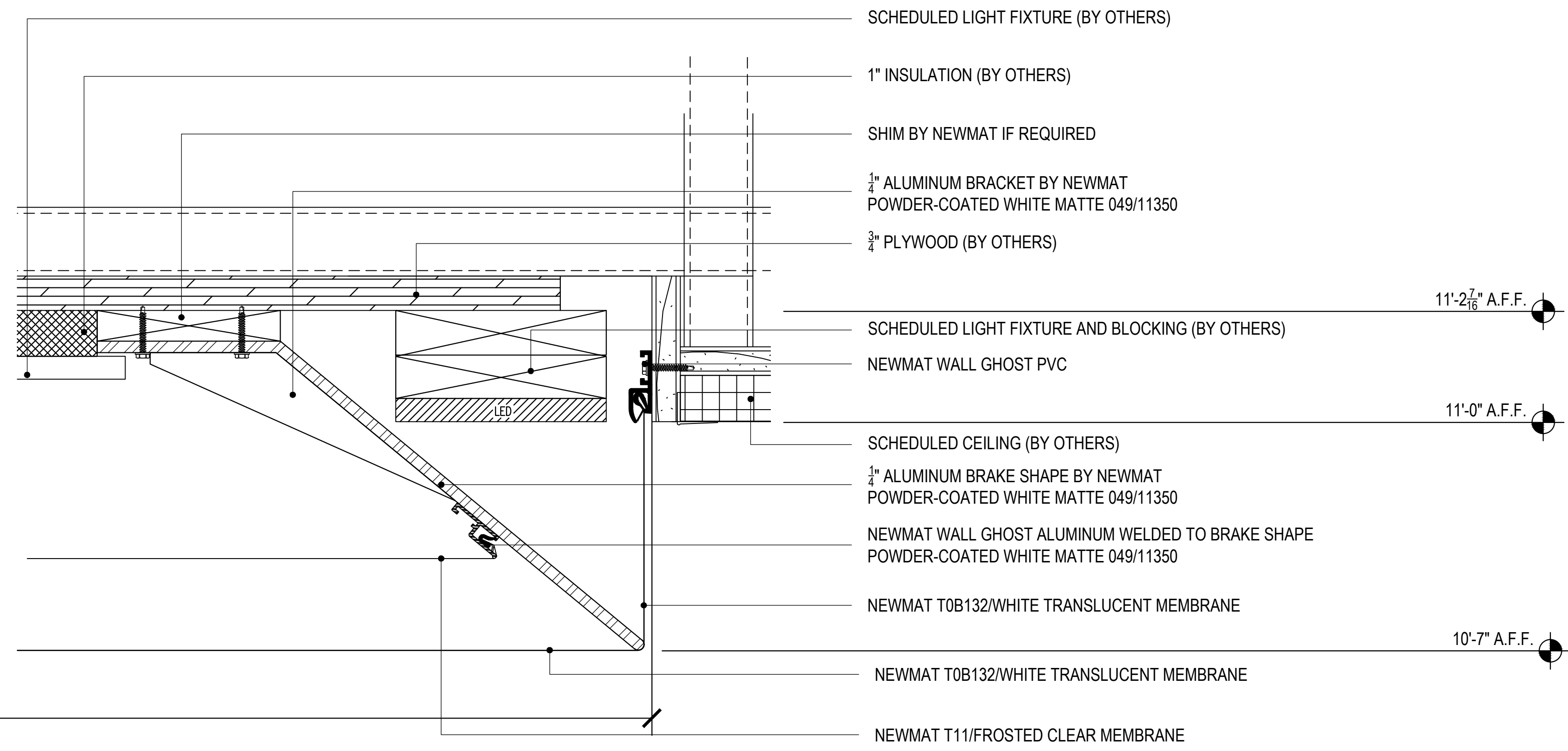
NEWMAT NORTHEAST CORP. 	#	REVISIONS:	Drawn	Checked	81 MAHAN STREET, WEST BABYLON, NY 11704 TEL. (631) 261 1498 FAX (631) 261 1756 Drawing Title: DETAILS Job Title: COVINGTON & BURLING Customer Name: COVINGTON & BURLING 800-850 10TH STREET NW WASHINGTON, DC 20001	Scale:	Drawn By:
	A	12/3/2013	R.K.			AS NOTED	R.K.
	B	12/16/2013	R.K.				Checked By:
	C	3/7/2014	R.K.				Job Number:
	D						Date:
E					13-000	11/26/2013	
					Drawing Number:	A-10	



1 CEILING SECTION @ LEVEL 11 NORTH
SCALE: 6" = 1' - 0"



2 CEILING SECTION @ LEVEL 11 NORTH
SCALE: 6" = 1' - 0"



- NOTES:**
- 1) ALL DIMENSIONS AND LOCATIONS MUST BE V.I.F. PRIOR TO NEWMAT FABRICATION AND INSTALLATION.
 - 2) ALL DRYWALL APPLICATIONS REQUIRE 12" CONTINUOUS 16GA (MINIMUM) METAL STRAPPING REINFORCEMENT BEHIND DRYWALL AT ALL NEWMAT ATTACHMENT LOCATIONS.
 - 3) ALL "BLOCKING BY OTHERS", MUST BE CONTINUOUS, STRAIGHT, LEVEL AND/OR PLUMB AND ABLE TO WITHSTAND 30LBS. PER LINEAR FOOT OF LATERAL TENSION WHICH WILL BE EXERTED BY EACH LAYER OF MEMBRANE.

LEAD TIME: SIX TO EIGHT (6-8) WEEKS FROM RECEIPT OF REQUIRED DEPOSIT, APPROVED SAMPLES, APPROVED SHOP DRAWINGS, AND CONFIRMED MEASUREMENTS.

AS BUILT
9/10/2014

NOTICE: THESE DRAWINGS WERE PRODUCED BY AND ARE THE SOLE PROPERTY OF NEWMAT USA LTD ANY AND ALL INFORMATION CONTAINED HEREIN SHALL NOT BE USED BY ANY OTHER PERSON OR COMPANY WITHOUT THE EXPRESSED WRITTEN CONSENT OF NEWMAT USA LTD. THE DRAWINGS MAY HAVE BEEN BASED ON CONSTRUCTION DRAWINGS NOT PREPARED BY NEWMAT USA LTD. THEREFORE MAY NOT REPRESENT THE CONDITIONS AS CONSTRUCTED AT THAT TIME.				81 MAHAN STREET, WEST BABYLON, NY 11704 TEL. (631) 261 1498 FAX (631) 261 1756		Scale: AS NOTED	Drawn By: R.K.
NEWMAT NORTHEAST CORP. newmat STRETCH CEILING SYSTEMS	#	REVISIONS:	Drawn	Checked	Job Title: COVINGTON & BURLING Customer Name: COVINGTON & BURLING 800-850 10TH STREET NW WASHINGTON, DC 20001	Job Number: 13-000	Date: 11/26/2013
	A	12/3/2013	R.K.				
	B	12/16/2013	R.K.				
	C	3/7/2014	R.K.				
	D						
E					Drawing Number: A-11		