



Submittal Transmittal

By Number

DLA Piper
444 West Lake Street
Chicago, IL 60606

Project # 388P003
Tel: 312-726-6103 Fax: 312-419-8139

Clune Construction Company

Date: 9/2/16

Reference Number: 089

Transmitted To: **Peter Cuvalo**
Gensler
11 East Madison
Suite 300
Chicago, IL 60602
Tel: 312-456-0123
Fax: 312-456-0124

Transmitted By: **Kari Abromitis**
Clune Construction Company
10 South Riverside Plaza
Suite 2200
Chicago, IL 60606
Tel: 312-726-6103
Fax: 312-419-8139

Qty	Submittal Package No	Description	Due Date	Package Action
1	06 - 09500 - A	Ceiling Package #006 - Newmat Stretched Ceiling Shop Drawings	9/7/2016 12:In for Review	

Transmitted For	Delivered Via	Tracking Number
Approval	4 Electronic Mail	

Items	Qty	Description	Notes	Item Action
01	1	09500.013 Newmat Stretched Ceiling Shop Drawings		In for Review
02	1	09500.014 Newmat Stretched Ceiling Details Shop Drawings		In for Review
03	1	09500.015 Newmat Stretched Ceiling Channel Plans Shop Drawings		In for Review

Cc:	Company Name	Contact Name	Copies	Notes	Address
*	Clune Construction Company	Adam Wojack	1		10 South Riverside Plaza Suite 2200 Chicago, IL 60606
*	Clune Construction Company	AJ Ruthenbeck	1		10 South Riverside Plaza Suite 2200 Chicago, IL 60606
*	Clune Construction Company	Jeremy Stanek	1		10 South Riverside Plaza Suite 2200 Chicago, IL 60606
*	Clune Construction Company	Rachel Munkvold	1		10 South Riverside Plaza Suite 2200 Chicago, IL 60606
*	Gensler	Sue Harrington	1		11 East Madison Suite 300 Chicago, IL 60602

Remarks

Submittal Transmittal
By Number

DLA Piper
444 West Lake Street
Chicago, IL 60606

Project # 388P003
Tel: 312-726-6103 Fax: 312-419-8139

Clune Construction Company

Gensler	SUBMITTAL REVIEW
<input type="checkbox"/> NO EXCEPTIONS TAKEN.	
<input checked="" type="checkbox"/> MAKE CORRECTIONS AS NOTED. Resubmittal not required unless Contractor cannot comply with corrections noted.	
<input type="checkbox"/> REVISE AS NOTED AND RESUBMIT.	
<input type="checkbox"/> RESUBMIT PROPERLY. Submittal not reviewed for reasons noted.	
<input type="checkbox"/> NOT REVIEWED. Submittal not required by Contract Documents.	
<input type="checkbox"/> RECEIVED FOR CLIENT'S RECORD ONLY. Submittal not reviewed.	
<p>Gensler has reviewed this Submittal, but only for the purpose of checking for conformance with the design intent expressed in the Contract Documents. Gensler's action on a specific item does not indicate approval of an assembly of which the item is a component, nor of an item as delivered and installed if it does not conform to the Contract Documents.</p> <p>Contractor is responsible for checking for deviations between this Submittal and differing information or conditions in the Contract Documents and field conditions; for determining or substantiating the accuracy and completeness of other details such as dimensions and quantities; for substantiating instructions for installation or performance of equipment or systems designed by Contractor; for construction means, methods, techniques, schedules, sequences, procedures, and fabrication processes; for errors and omissions in Submittals; for coordination of the Work of the trades, safety precautions and performing the Work in a safe and satisfactory manner and in conformance with the Contract Documents.</p> <p>If more than one submittal review stamp appears on this Submittal, the most stringent action and notations thereon apply. Signature of a submittal review stamp by Gensler or a consultant does not imply that it has reviewed work not within its professional discipline or scope of services.</p> <p align="right">v1.3/2012</p>	
By: <u>Peter Cuvalo</u>	Date: <u>Mon Sep 12, 2016</u>
Project No: <u>21.9641.000</u>	
Submittal: <u>09500-06_CeilingShops_Gesnler Review</u>	

//gensler.ad/Projects/21/21.9641.000/Documentation/6/6S/Div 09 Finishes and Paint/C

ALL DIMENSIONS, WIDTHS, HEIGHTS, ETC,
TO BE VERIFIED-IN-FIELD.

ALL OPENINGS FOR LIGHTS, SPRINKLERS,
AND SPEAKERS TO BE COORDINATED
AND VERIFIED W/ GC.



Signature

9/2/2016

Signed Date



RG Construction Services, Inc. - Specialties
 936 North Larch Ave | Elmhurst, IL 60126
 Phone: (630) 782-0180 Ext. 141
 Fax: (630) 782-0188

LEGEND

- CL CENTER LINE
- EQ EQUAL
- O.C. ON CENTER
- TYP TYPICAL
- VIF VERIFY IN FIELD

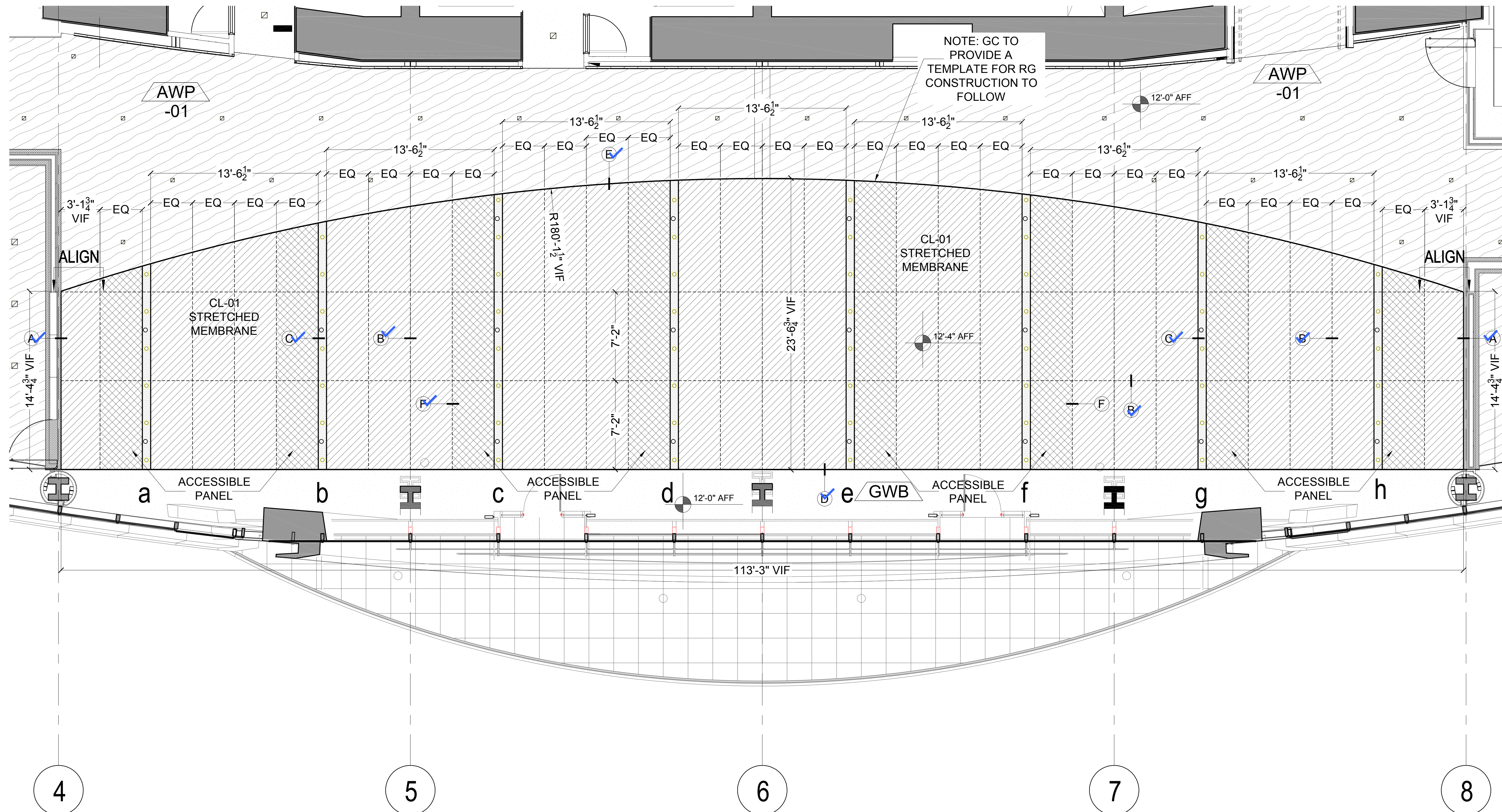
Reviewed
 Clune Construction Company
 Project Number 388P003
 Shop Drawing # 09500.013 A
 Date Submitted 9/2/2016

DLA PIPER
 203 N. LASALLE ST. STE 1900
 CHICAGO, IL 60601

STRETCHED CEILING

**NEWMAT
 STRETCHED CEILING**

DRAWN BY LH	SCALE AS NOTED
DATE 8/22/16	FILE RG_DLA PIPER
REV. NO. REV. DATE DESCRIPTION	DWG. NO.



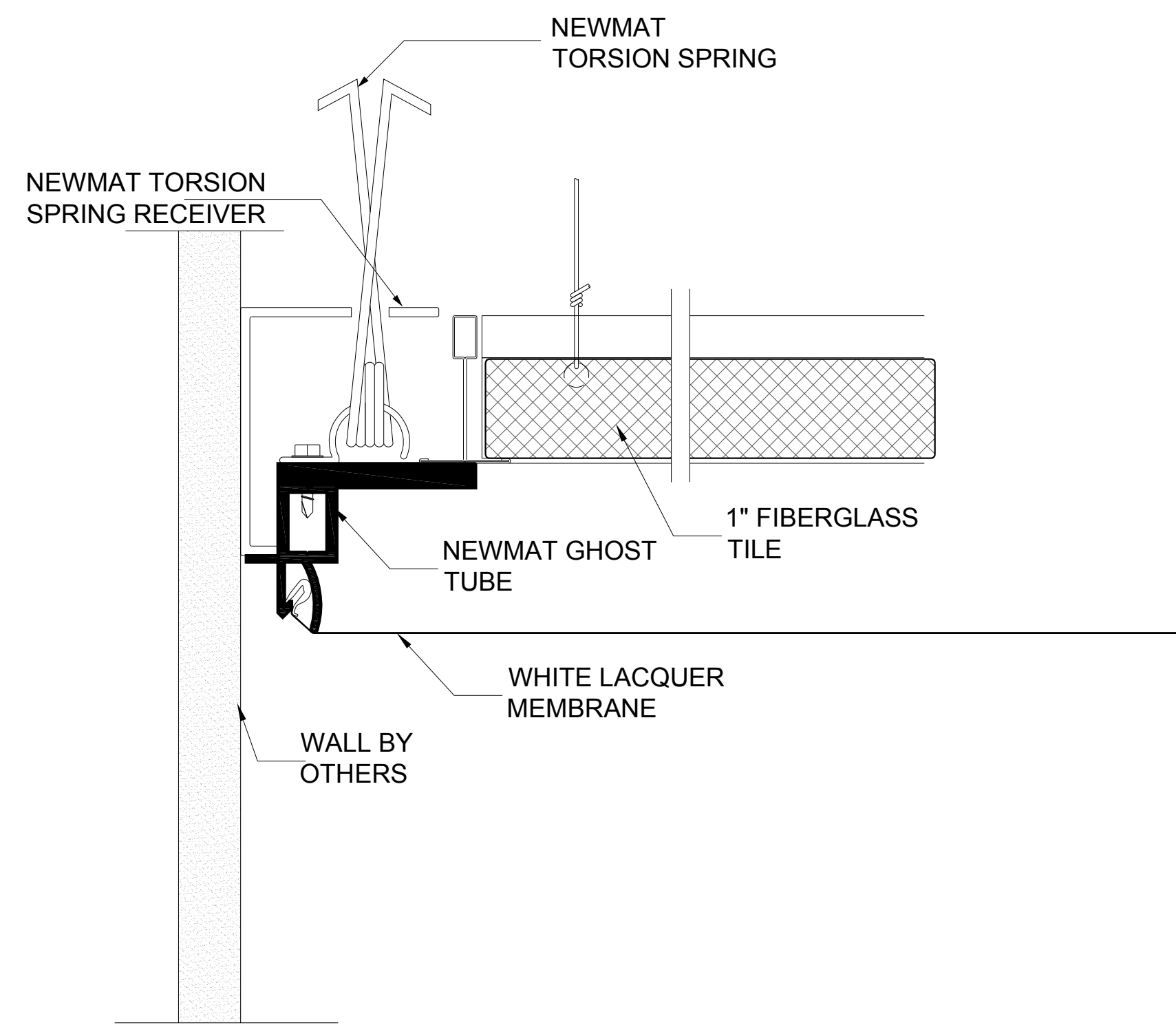


RG Construction Services, Inc. - Specialties
 936 North Larch Ave | Elmhurst, IL 60126
 Phone: (630) 782-0180 Ext. 141
 Fax: (630) 782-0188

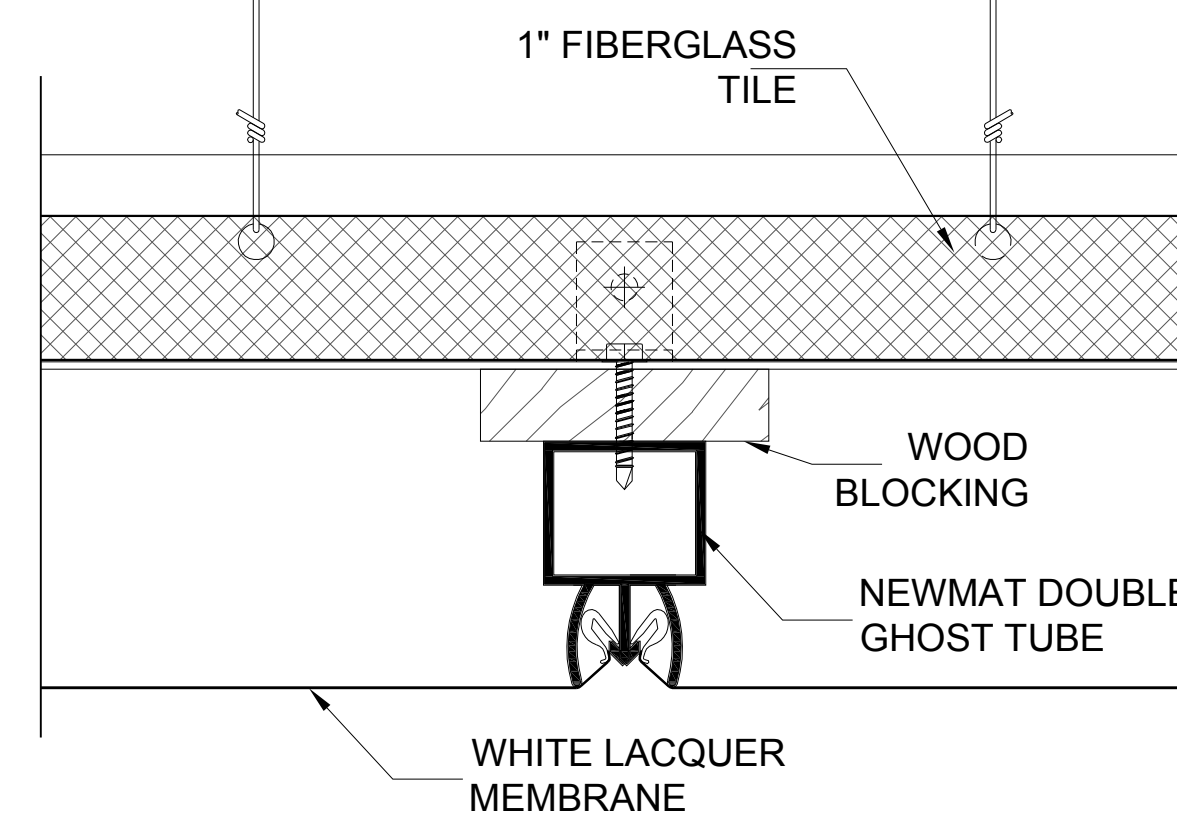
LEGEND

- CL CENTER LINE
- EQ EQUAL
- O.C. ON CENTER
- TYP TYPICAL
- VIF VERIFY IN FIELD

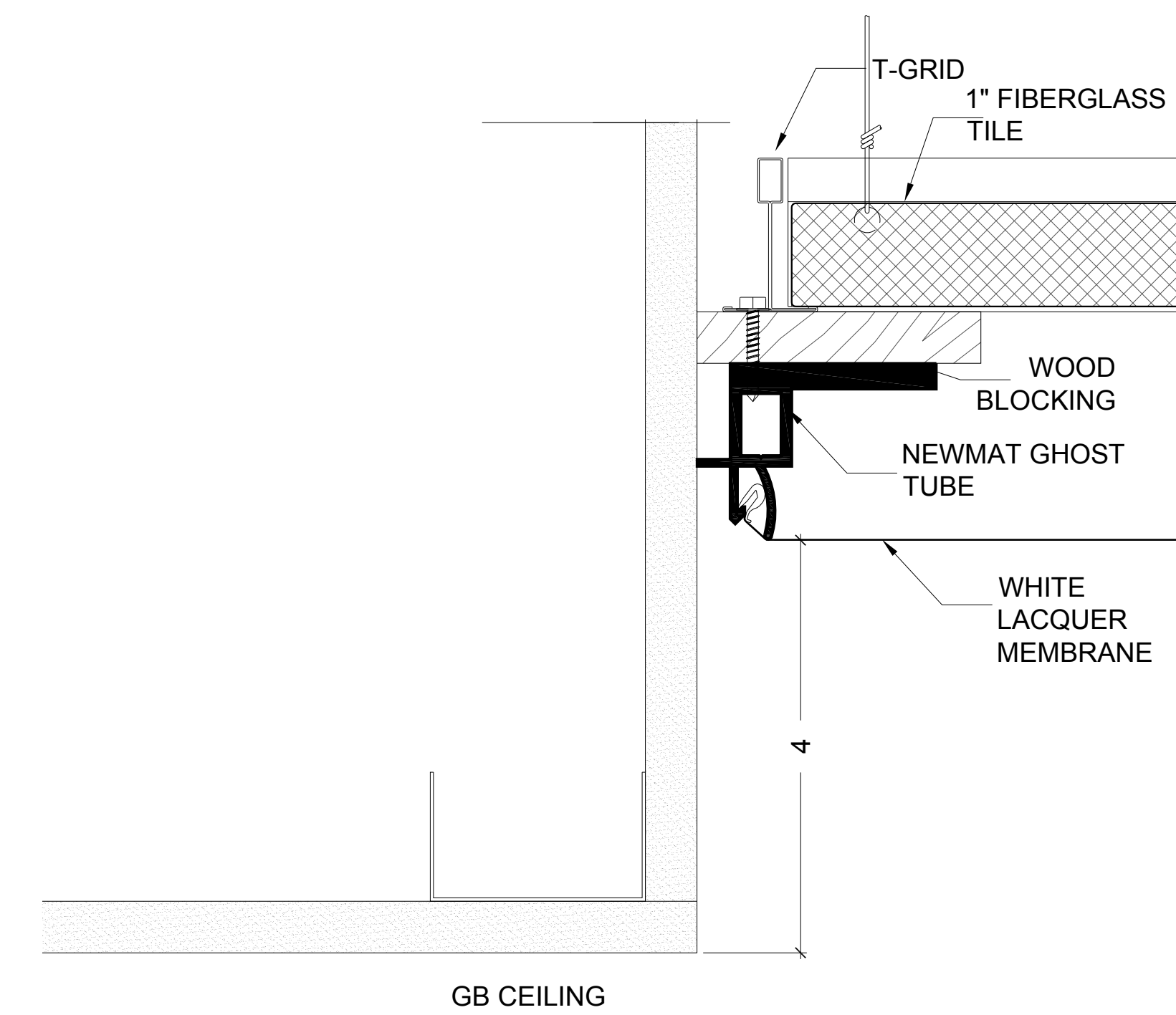
Reviewed
 Clune Construction Company
 Project Number 388P003
 Shop Drawing # 09500.014 A
 Date Submitted 9/2/2016



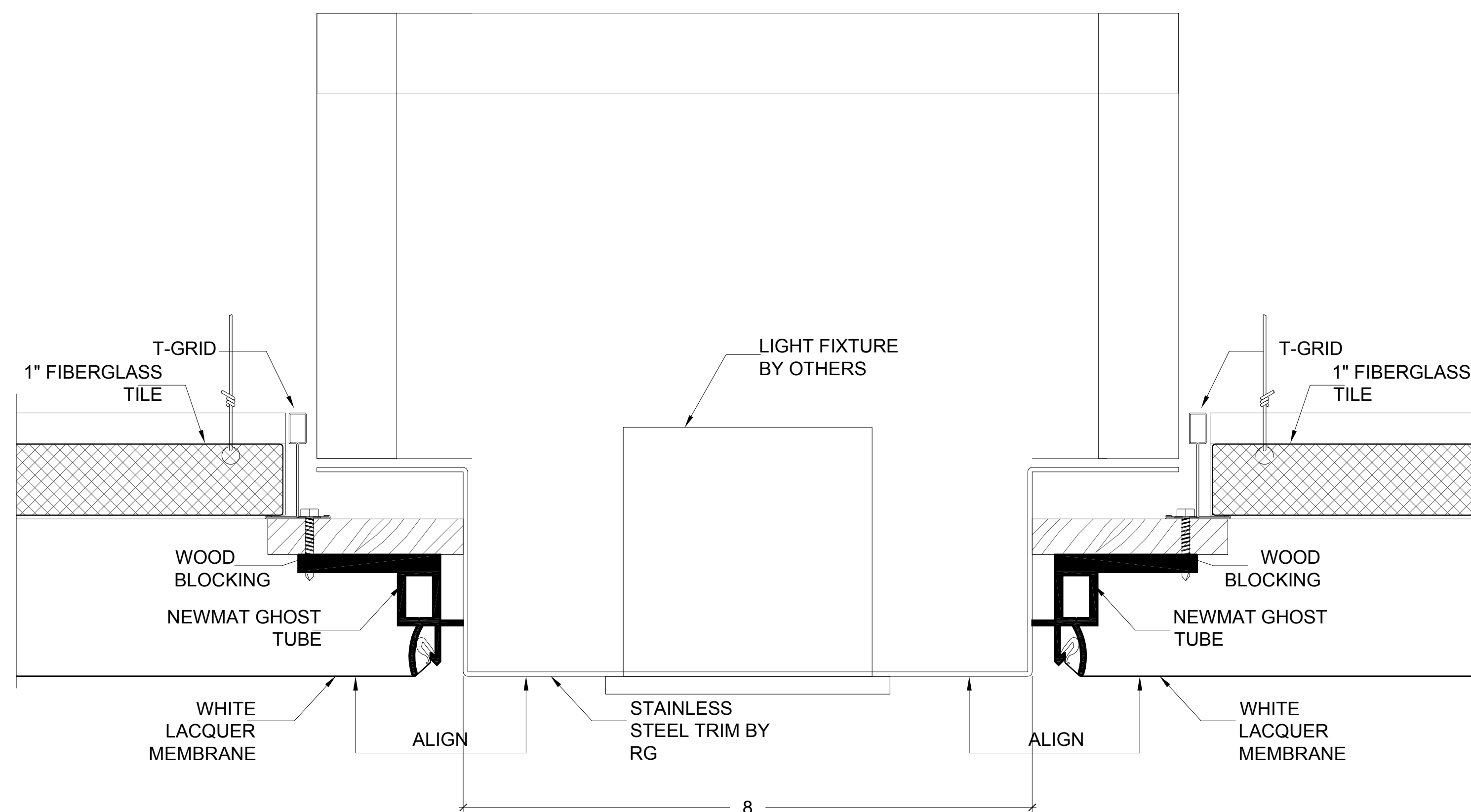
A DETAIL @ WALL PERIMETER



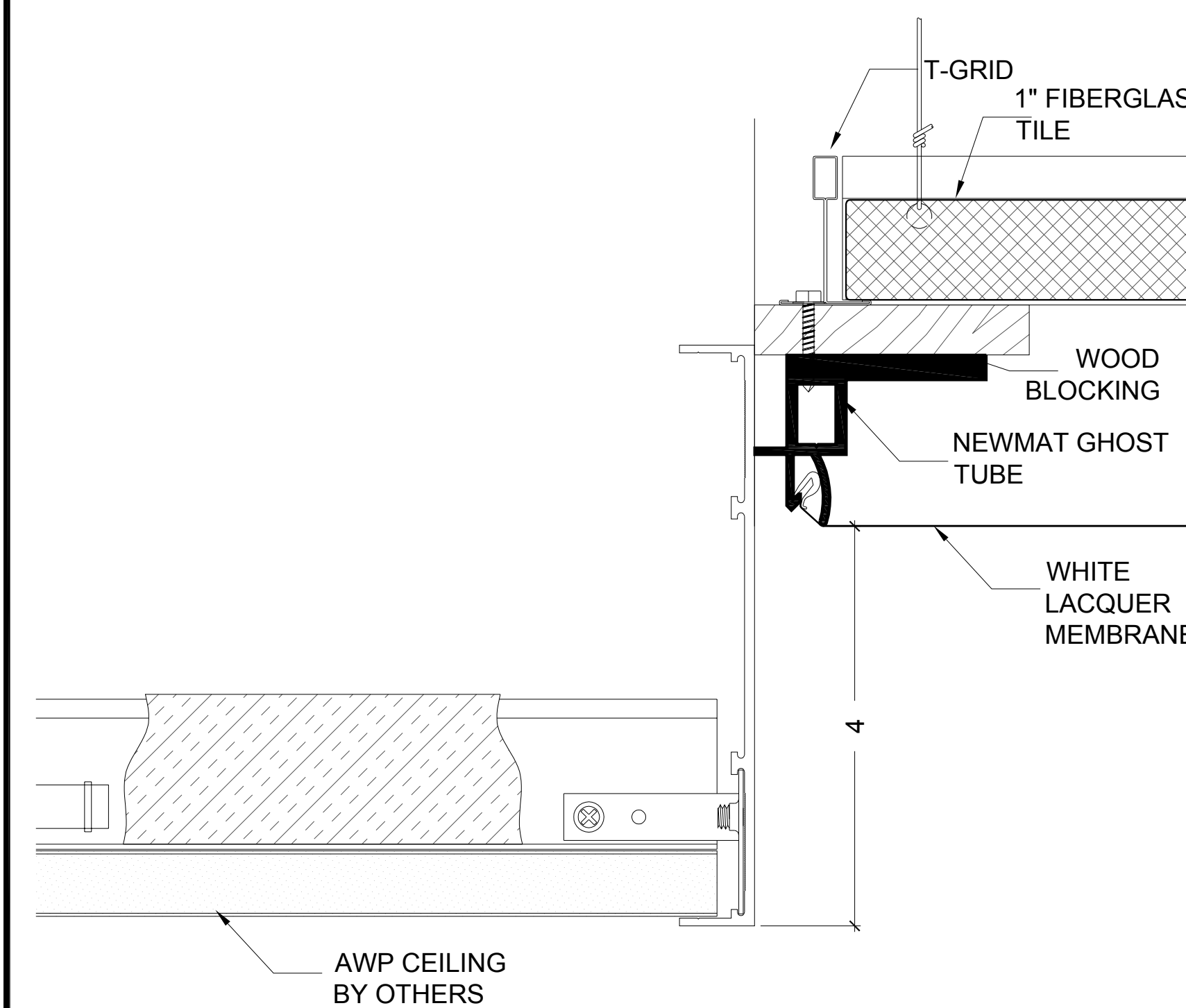
B DETAIL @ DOUBLE GHOST TUBE



D DETAIL @ GB CEILING



C DETAIL @ ALUMINUM CHANNEL



E DETAIL @ AWP CEILING

DLA PIPER
 203 N. LASALLE ST. STE 1900
 CHICAGO, IL 60601

STRETCHED CEILING

NEWMAT STRETCHED CEILING

DRAWN BY	LH	SCALE	AS NOTED
DATE	8/22/16	FILE	RG_DLA PIPER
REV. NO.	REV. DATE	DESCRIPTION	DWG. NO.
			PAGE 2
			2 OF 5

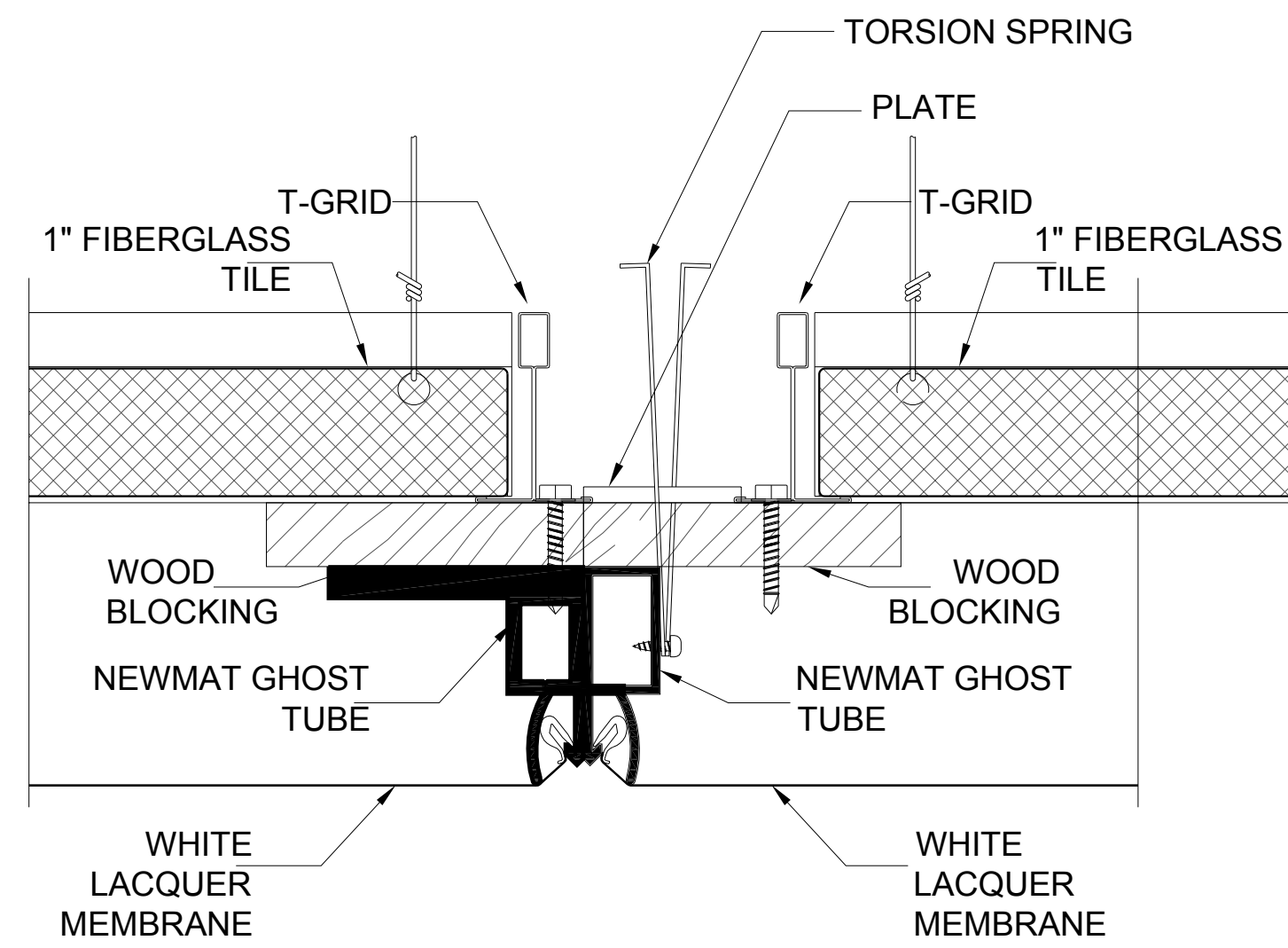


RG Construction Services, Inc. - Specialties
 936 North Larch Ave | Elmhurst, IL 60126
 Phone: (630) 782-0180 Ext. 141
 Fax: (630) 782-0188

LEGEND

- CL CENTER LINE
- EQ EQUAL
- O.C. ON CENTER
- TYP TYPICAL
- VIF VERIFY IN FIELD

Reviewed
 Clune Construction Company
 Project Number 388P003
 Shop Drawing # 09500.01 4A
 Date Submitted 9/2/2016



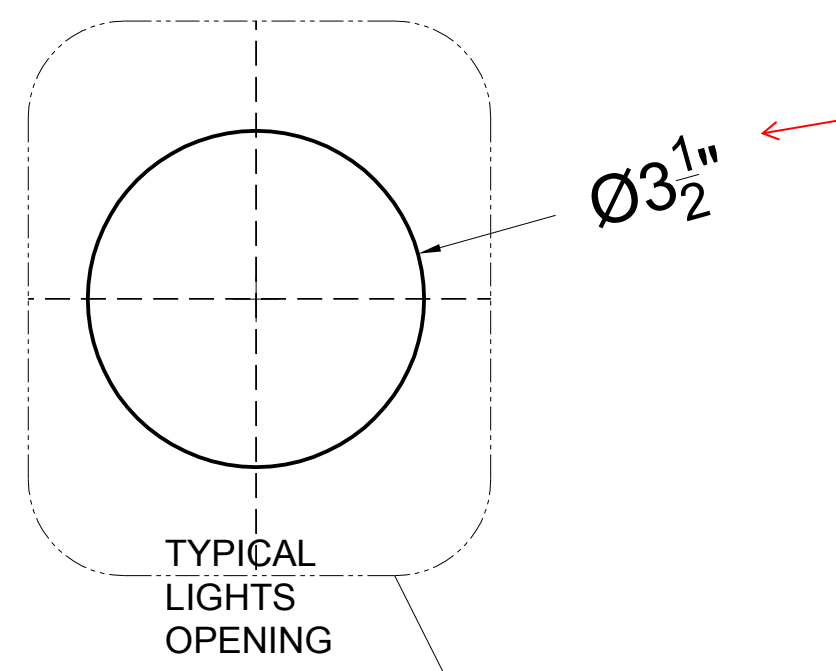
✓ F DETAIL @ ACCESS PANEL

DLA PIPER
 203 N. LASALLE ST. STE 1900
 CHICAGO, IL 60601

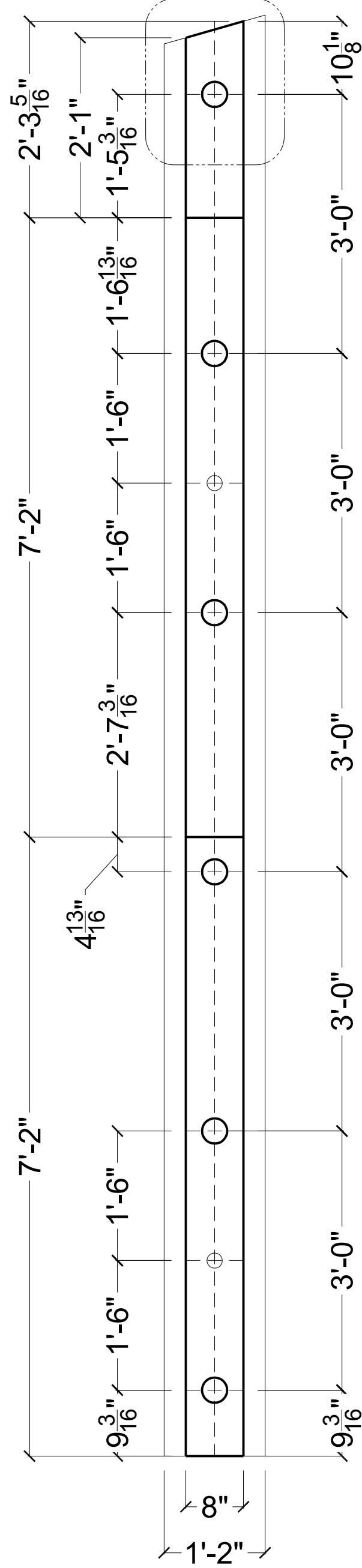
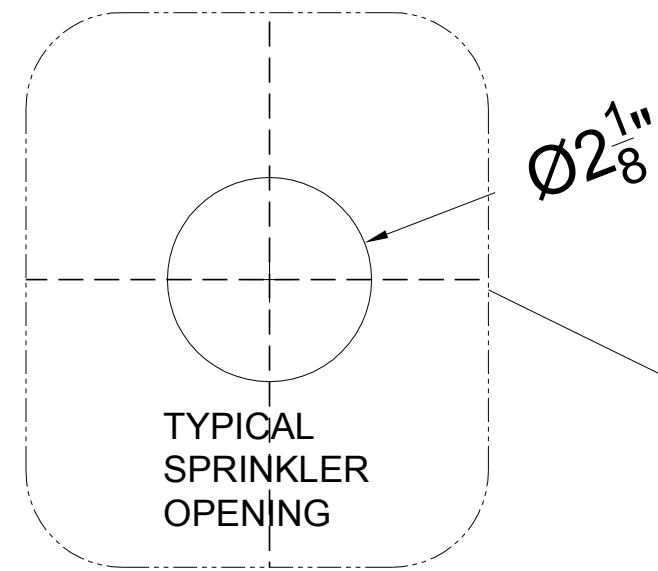
STRETCHED CEILING

**NEWMAT
 STRETCHED CEILING**

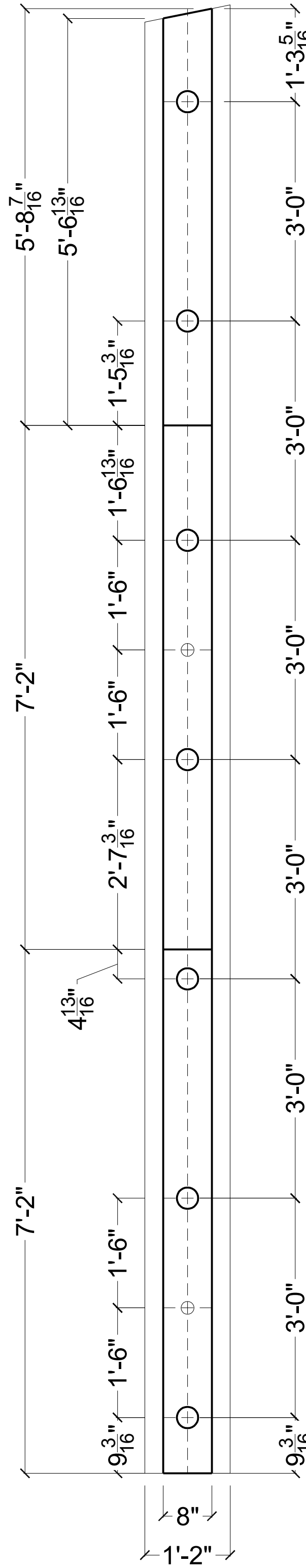
DRAWN BY LH	SCALE AS NOTED
DATE 8/22/16	FILE RG_DLA PIPER
REV. NO. REV. DATE DESCRIPTION	DWG. NO.



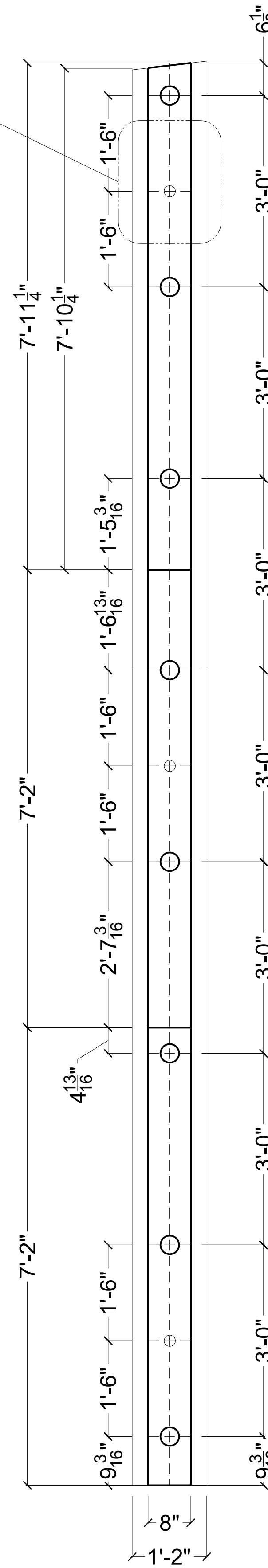
VERIFY IN FIELD, COORD. W/ GC



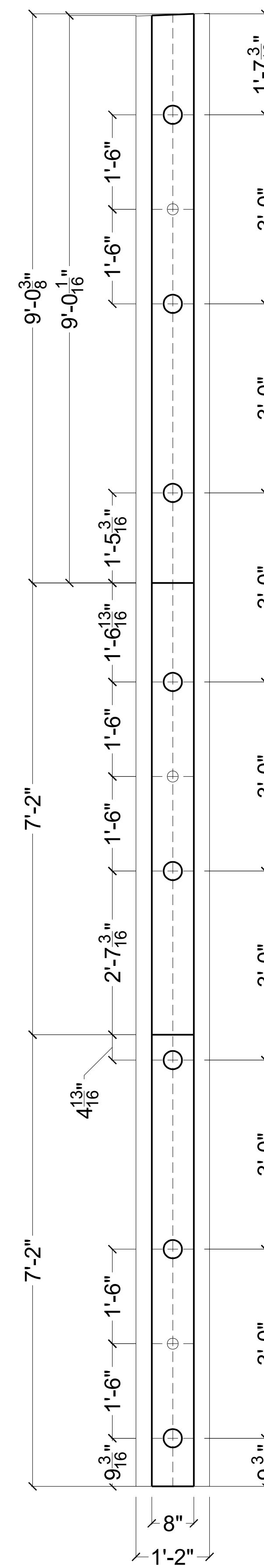
a ✓



b ✓



c ✓



d ✓



RG Construction Services, Inc. - Specialties
936 North Larch Ave | Elmhurst, IL 60126
Phone: (630) 782-0180 Ext. 141
Fax: (630) 782-0188

LEGEND

- CL CENTER LINE
- EQ EQUAL
- O.C. ON CENTER
- TYP TYPICAL
- VIF VERIFY IN FIELD

Reviewed
Clune Construction Company
Project Number 388P003
Shop Drawing # 09500.015 A
Date Submitted 9/2/2016

DLA PIPER
203 N. LASALLE ST. STE 1900
CHICAGO, IL 60601

STRETCHED CEILING

NEWMAT
STRETCHED CEILING

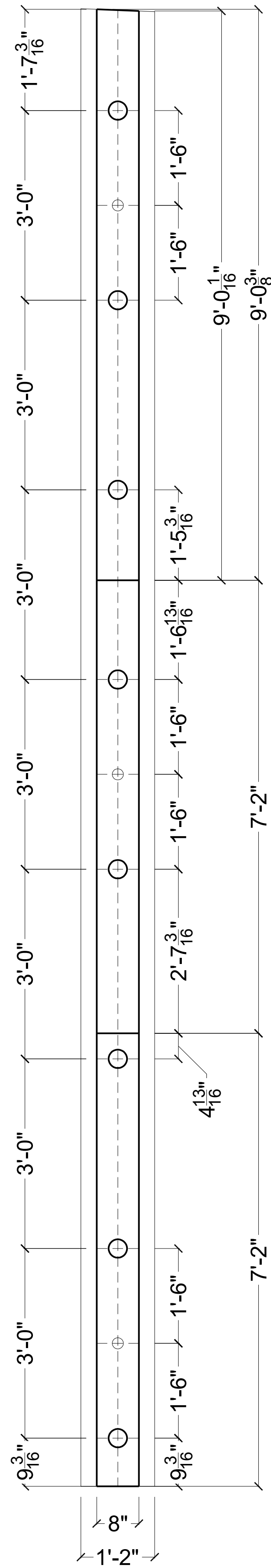
DRAWN BY LH SCALE AS NOTED

DATE 8/22/16 FILE RG_DLA PIPER

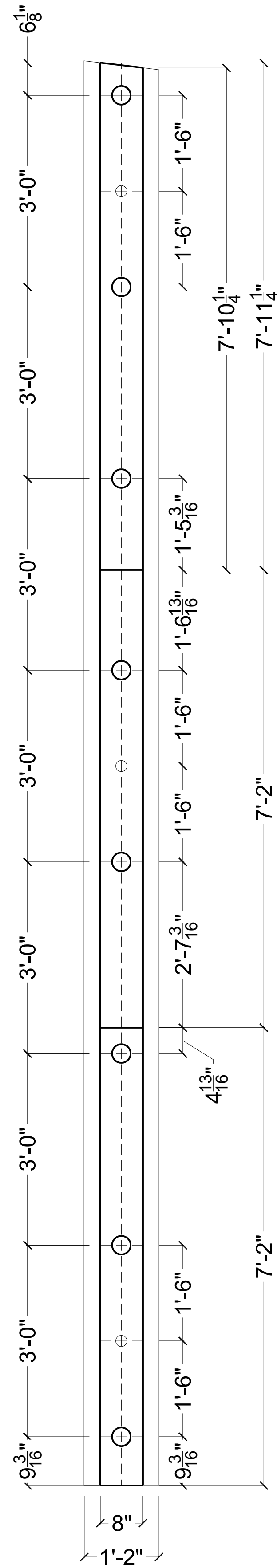
REV. NO. REV. DATE DESCRIPTION DWG. NO.

PAGE 4

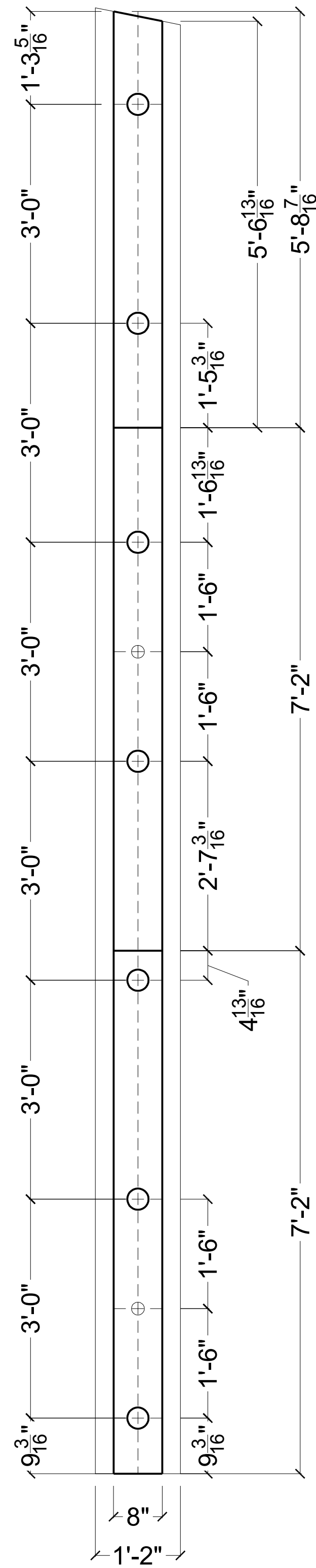
4 OF 5



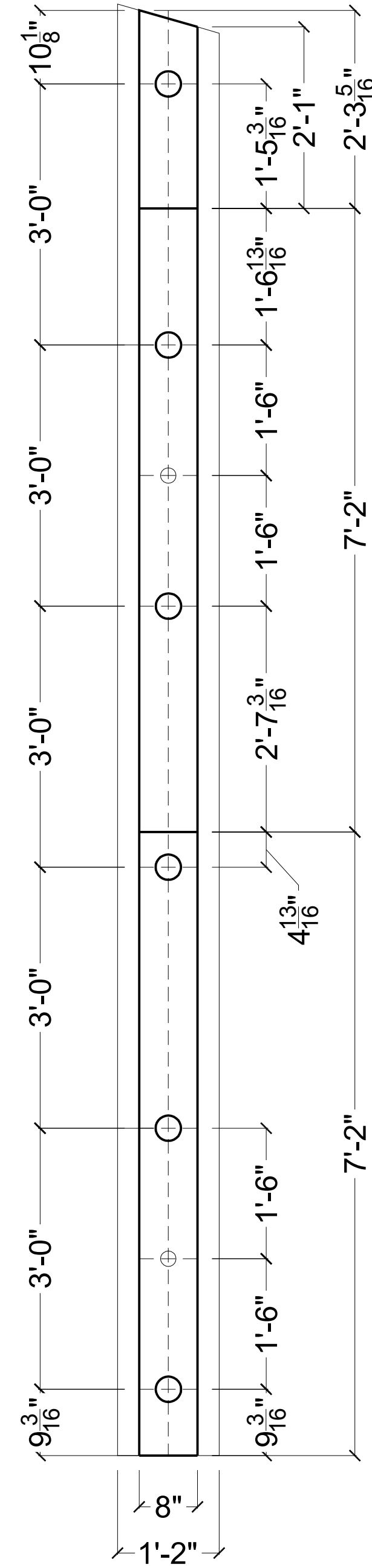
e



f



g



h



RG Construction Services, Inc. - Specialties
 936 North Larch Ave | Elmhurst, IL 60126
 Phone: (630) 782-0180 Ext. 141
 Fax: (630) 782-0188

LEGEND

- CL CENTER LINE
- EQ EQUAL
- O.C. ON CENTER
- TYP TYPICAL
- VIF VERIFY IN FIELD

Reviewed
 Clune Construction Company
 Project Number 388P003
 Shop Drawing # 09500.015 A
 Date Submitted 9/2/2016

DLA PIPER
 203 N. LASALLE ST. STE 1900
 CHICAGO, IL 60601

STRETCHED CEILING

NEWMAT
 STRETCHED CEILING

DRAWN BY LH SCALE AS NOTED

DATE 8/22/16 FILE RG_DLA PIPER

REV. NO. REV. DATE DESCRIPTION DWG. NO.

PAGE 5

5 OF 5