
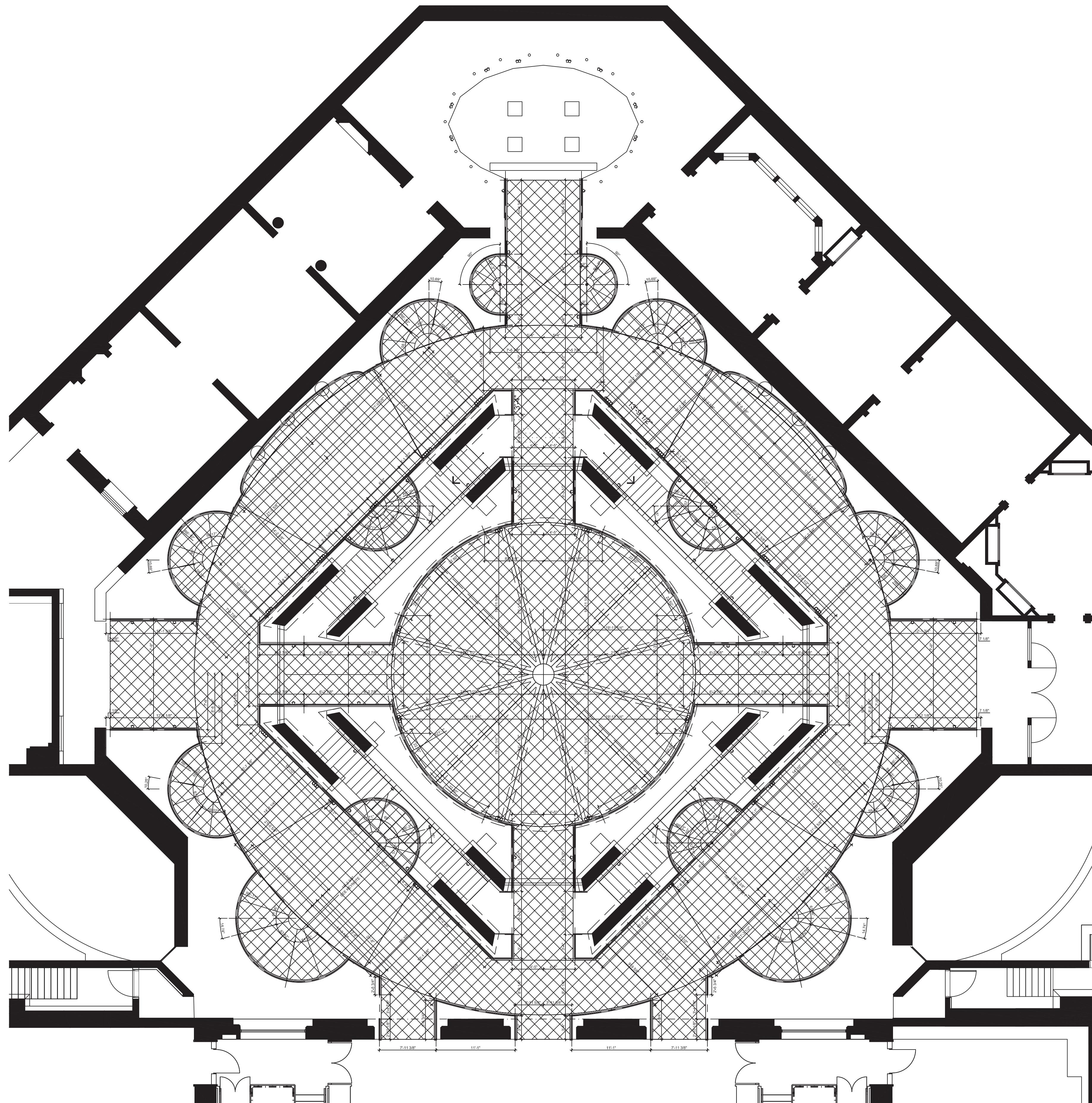


1 RCP
SCALE: 1/8" = 1'-0"

NOTES:
 1) ALL DIMENSIONS AND LOCATIONS MUST BE V.I.F. PRIOR TO NEWMAT FABRICATION AND INSTALLATION.
 2) ALL DRYWALL APPLICATIONS REQUIRE 12" CONTINUOUS 16GA (MINIMUM) METAL STRAPPING REINFORCEMENT BEHIND DRYWALL AT ALL NEWMAT ATTACHMENT LOCATIONS.
 3) ALL "BLOCKING BY OTHERS" MUST BE CONTINUOUS, STRAIGHT, LEVEL AND/OR PLUMB AND ABLE TO WITHSTAND 30LBS. PER LINEAR FOOT OF LATERAL TENSION WHICH WILL BE EXERTED BY EACH LAYER OF MEMBRANE.

NOTICE:
 THESE DRAWINGS WERE PRODUCED BY AND ARE THE SOLE PROPERTY OF NEWMAT USA LTD ANY AND ALL INFORMATION CONTAINED HEREIN SHALL NOT BE USED BY ANY OTHER PERSON OR COMPANY WITHOUT THE EXPRESSED WRITTEN CONSENT OF NEWMAT USA LTD. THE DRAWINGS MAY HAVE BEEN BASED ON CONSTRUCTION DRAWINGS NOT PREPARED BY NEWMAT USA LTD. THEREFORE MAY NOT REPRESENT THE CONDITIONS AS CONSTRUCTED AT THAT TIME.

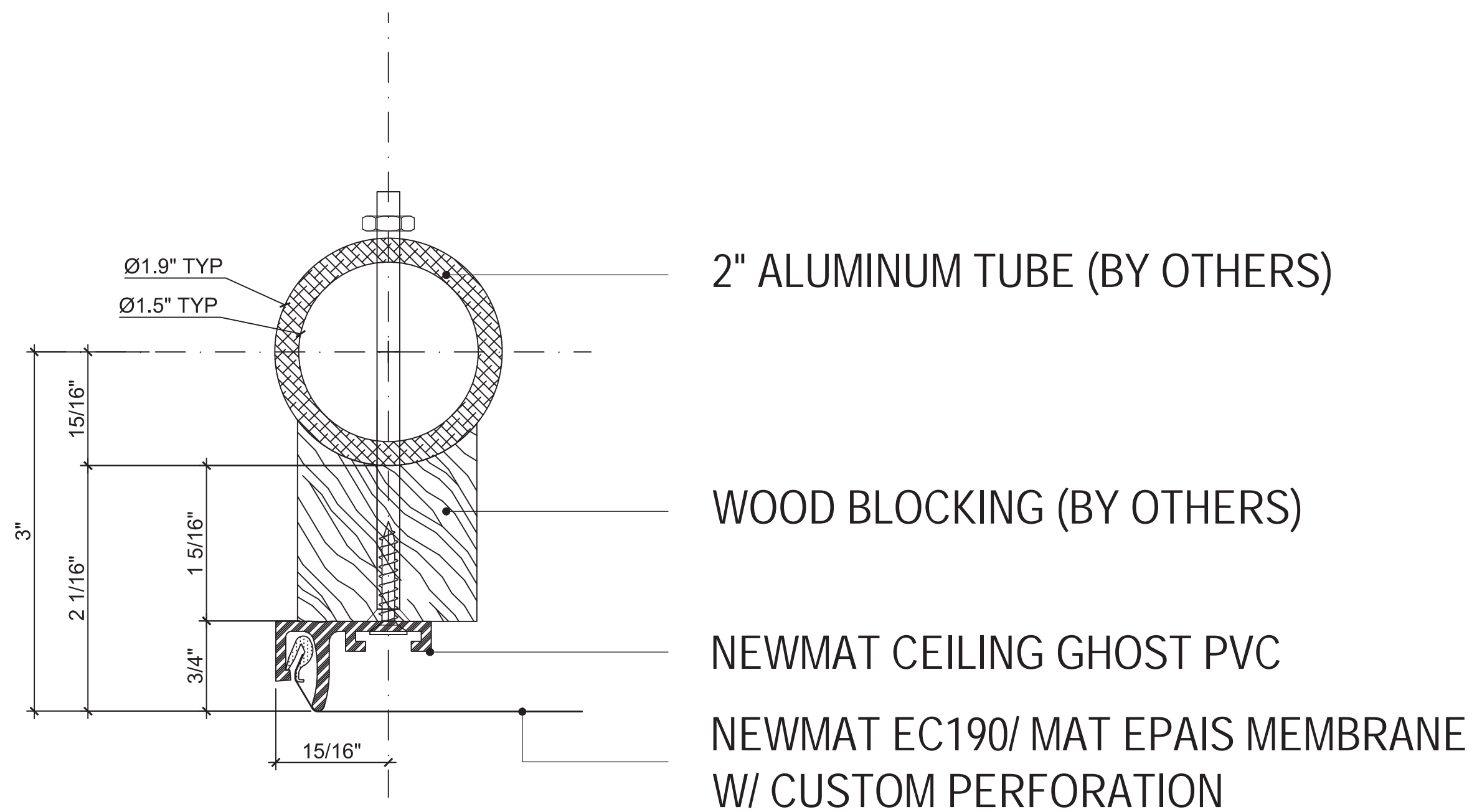
NEWMAT NORTHEAST CORP.  STRETCH CEILING SYSTEMS	#	REVISIONS:	DATE	Drawn By	Checked By	81 MAHAN STREET, WEST BABYLON, NY 11704 TEL: (631) 261 1498 FAX: (631) 261 1756	Scale:	Drawn By:
	A					Drawing Title: RCP	AS NOTED	R.K.
	B					Job Title: MxM LEHMAN WING		Checked By:
	C					Customer Name: METROPOLITAN MUSEUM OF ART	Job Number: 13-000	Date: 3/23/2016
	D					1000 FIFTH AVE NEW YORK, NY 11028	Drawing Number: A-01	
E								



1 DIMENSION PLAN
SCALE: 1/8" = 1'-0"

- NOTES:**
- 1) ALL DIMENSIONS AND LOCATIONS MUST BE V.I.F. PRIOR TO NEWMAT FABRICATION AND INSTALLATION.
 - 2) ALL DRYWALL APPLICATIONS REQUIRE 12" CONTINUOUS 16GA (MINIMUM) METAL STRAPPING REINFORCEMENT BEHIND DRYWALL AT ALL NEWMAT ATTACHMENT LOCATIONS.
 - 3) ALL "BLOCKING BY OTHERS" MUST BE CONTINUOUS, STRAIGHT, LEVEL AND/OR PLUMB AND ABLE TO WITHSTAND 30LBS. PER LINEAR FOOT OF LATERAL TENSION WHICH WILL BE EXERTED BY EACH LAYER OF MEMBRANE.

NOTICE: THESE DRAWINGS WERE PRODUCED BY AND ARE THE SOLE PROPERTY OF NEWMAT USA LTD ANY AND ALL INFORMATION CONTAINED HEREIN SHALL NOT BE USED BY ANY OTHER PERSON OR COMPANY WITHOUT THE EXPRESSED WRITTEN CONSENT OF NEWMAT USA LTD. THE DRAWINGS MAY HAVE BEEN BASED ON CONSTRUCTION DRAWINGS NOT PREPARED BY NEWMAT USA LTD. THEREFORE MAY NOT REPRESENT THE CONDITIONS AS CONSTRUCTED AT THAT TIME.				81 MAHAN STREET, WEST BABYLON, NY 11704 TEL. (631) 261 1498 FAX (631) 261 1756		Scale: AS NOTED	Drawn By: R.K.
NEWMAT NORTHEAST CORP.		#	REVISIONS:	Drawn	Checked	Job Title: RCP Customer Name: METROPOLITAN MUSEUM OF ART 1000 FIFTH AVE NEW YORK, NY 11028	Job Number: 13-000 Date: 3/23/2016
newmat STRETCH CEILING SYSTEMS		A	DATE	By	By		
		B					
		C					
		D					
E						Drawing Number: A-01.1	



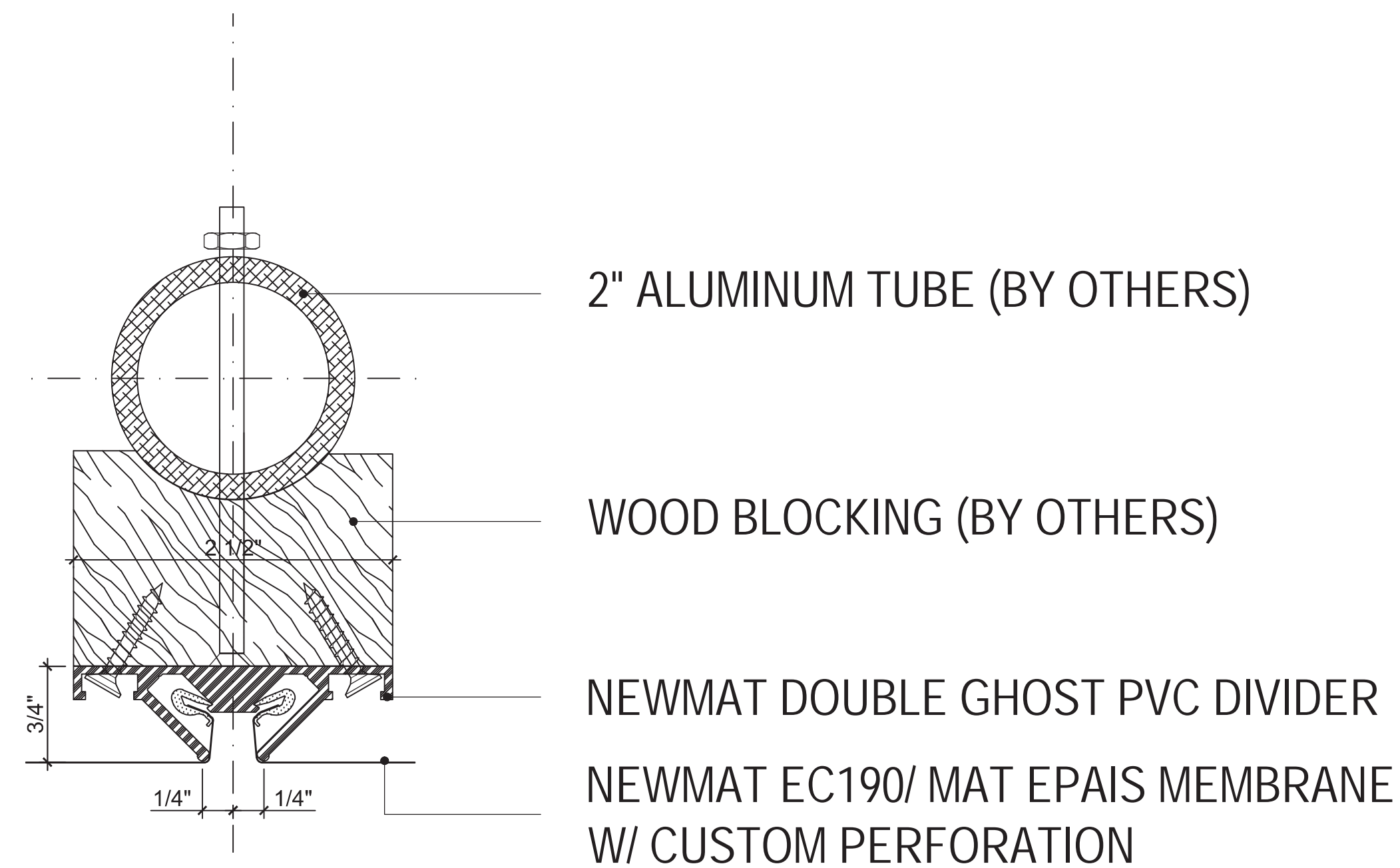
2" ALUMINUM TUBE (BY OTHERS)

WOOD BLOCKING (BY OTHERS)

NEWMAT CEILING GHOST PVC

NEWMAT EC190/ MAT EPAIS MEMBRANE
W/ CUSTOM PERFORATION

1 TYP DETAIL @ EDGE OF MEMBRANE
SCALE: FULL



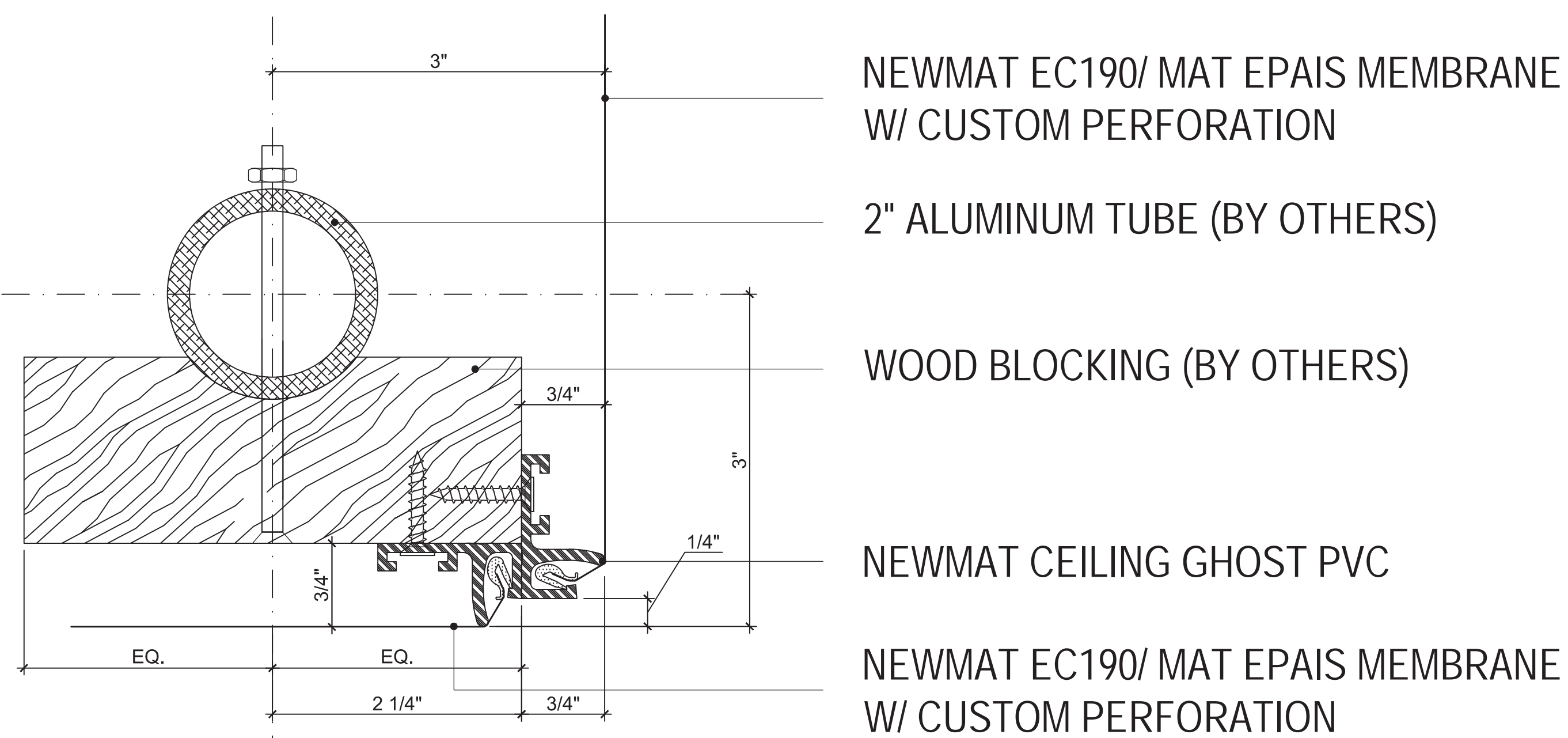
2" ALUMINUM TUBE (BY OTHERS)

WOOD BLOCKING (BY OTHERS)

NEWMAT DOUBLE GHOST PVC DIVIDER

NEWMAT EC190/ MAT EPAIS MEMBRANE
W/ CUSTOM PERFORATION

2 TYP DETAIL @ DIVIDER
SCALE: FULL



NEWMAT EC190/ MAT EPAIS MEMBRANE
W/ CUSTOM PERFORATION

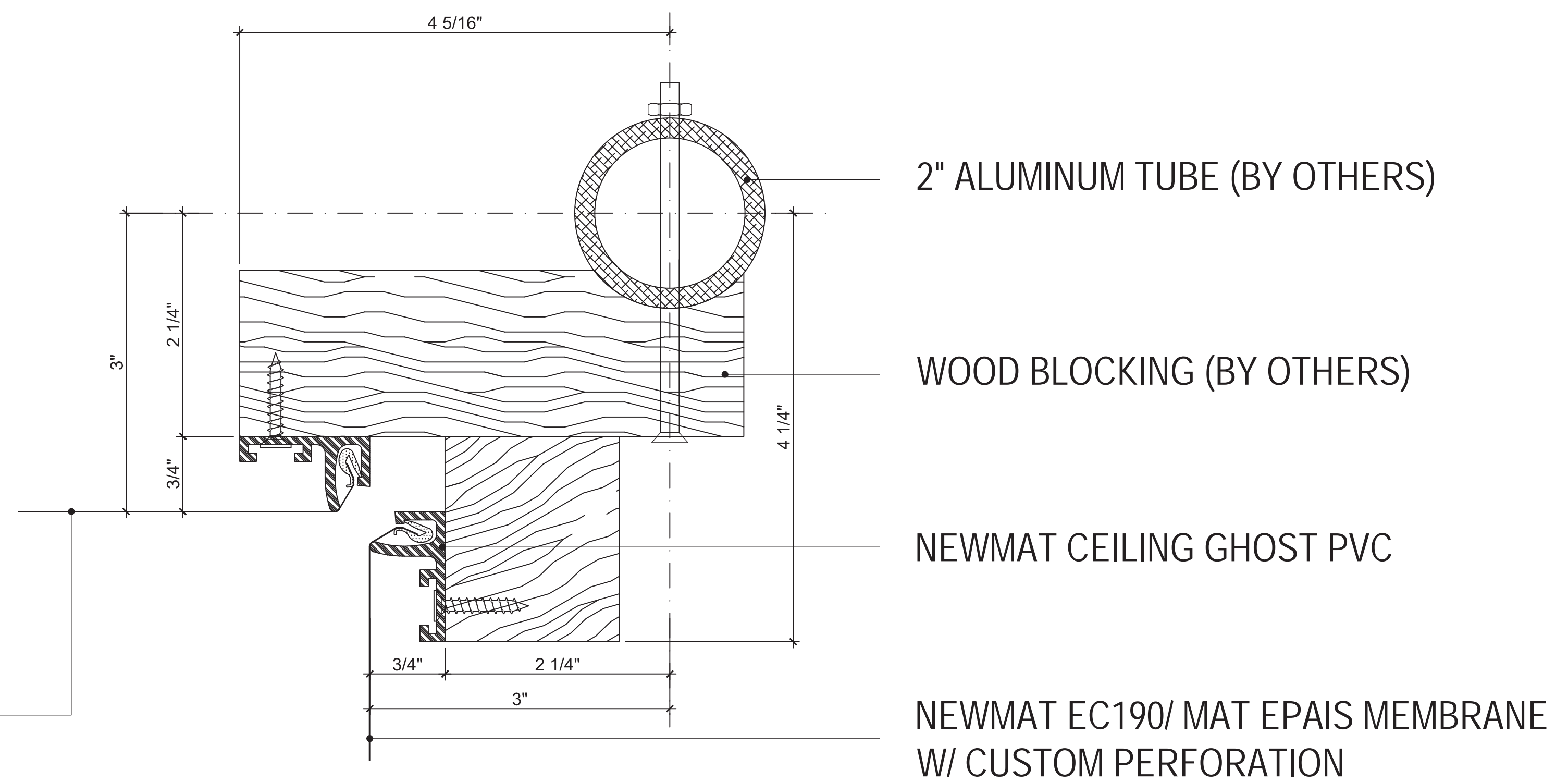
2" ALUMINUM TUBE (BY OTHERS)

WOOD BLOCKING (BY OTHERS)

NEWMAT CEILING GHOST PVC

NEWMAT EC190/ MAT EPAIS MEMBRANE
W/ CUSTOM PERFORATION

3 TYP DETAIL @ 90° OUTSIDE CORNER
SCALE: FULL



2" ALUMINUM TUBE (BY OTHERS)

WOOD BLOCKING (BY OTHERS)

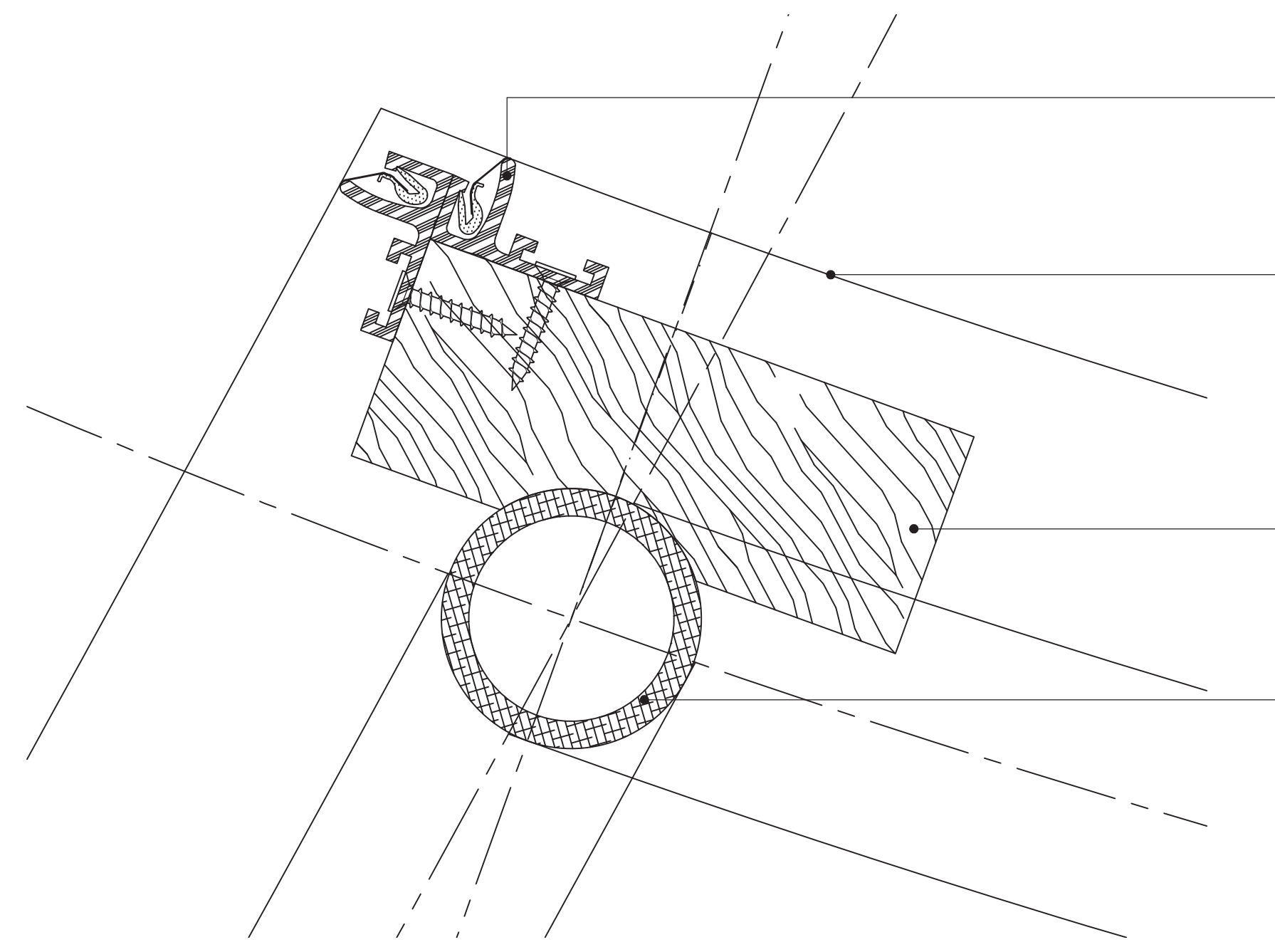
NEWMAT CEILING GHOST PVC

NEWMAT EC190/ MAT EPAIS MEMBRANE
W/ CUSTOM PERFORATION

4 TYP DETAIL @ 90° INSIDE CORNER
SCALE: FULL

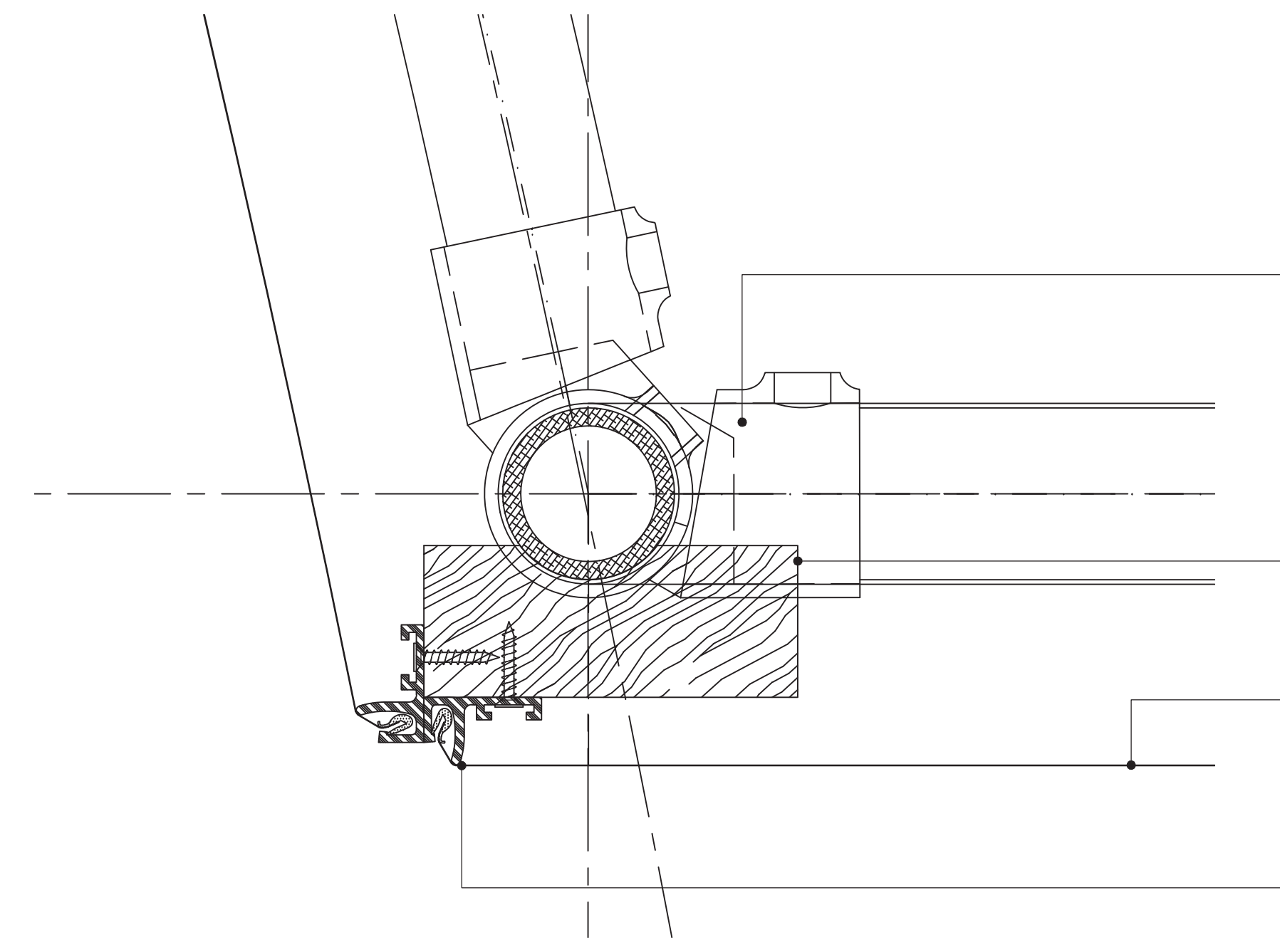
NOTES:
 1) ALL DIMENSIONS AND LOCATIONS MUST BE V.I.F. PRIOR TO NEWMAT FABRICATION AND INSTALLATION.
 2) ALL DRYWALL APPLICATIONS REQUIRE 12" CONTINUOUS 16GA (MINIMUM) METAL STRAPPING REINFORCEMENT BEHIND DRYWALL AT ALL NEWMAT ATTACHMENT LOCATIONS.
 3) ALL "BLOCKING BY OTHERS" MUST BE CONTINUOUS, STRAIGHT, LEVEL AND/OR PLUMB AND ABLE TO WITHSTAND 30LBS. PER LINEAR FOOT OF LATERAL TENSION WHICH WILL BE EXERTED BY EACH LAYER OF MEMBRANE.

NOTICE: THESE DRAWINGS WERE PRODUCED BY AND ARE THE SOLE PROPERTY OF NEWMAT USA LTD ANY AND ALL INFORMATION CONTAINED HEREIN SHALL NOT BE USED BY ANY OTHER PERSON OR COMPANY WITHOUT THE EXPRESSED WRITTEN CONSENT OF NEWMAT USA LTD. THE DRAWINGS MAY HAVE BEEN BASED ON CONSTRUCTION DRAWINGS NOT PREPARED BY NEWMAT USA LTD. THEREFORE MAY NOT REPRESENT THE CONDITIONS AS CONSTRUCTED AT THAT TIME.				81 MAHAN STREET, WEST BABYLON, NY 11704 TEL. (631) 261 1498 FAX (631) 261 1756		Scale: AS NOTED	Drawn By: R.K.
#	REVISIONS:	DATE	Drawn By	Checked By	Drawing Title:	Job Number:	Date:
A					TYPICAL DETAILS	13-000	3/23/2016
B					Customer Name:		
C					MxM LEHMAN WING		
D					METROPOLITAN MUSEUM OF ART		
E					1000 FIFTH AVE NEW YORK, NY 11028		
NEWMAT NORTHEAST CORP. <i>newmat</i> STRETCH CEILING SYSTEMS						Drawing Number: A-02	



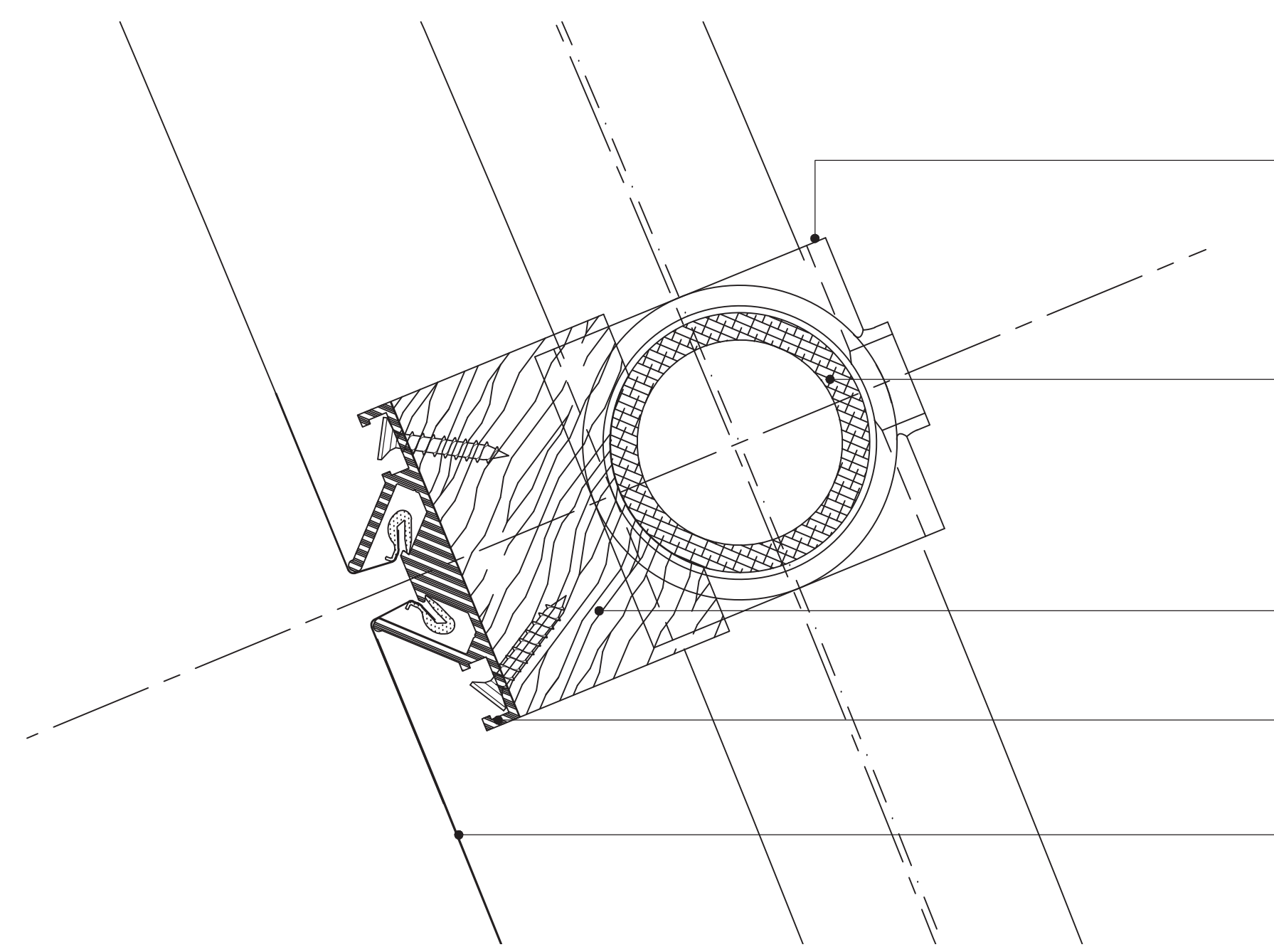
- NEWMAT CEILING GHOST PVC
- NEWMAT EC190/ MAT EPAIS MEMBRANE W/ CUSTOM PERFORATION
- WOOD BLOCKING (BY OTHERS)
- 2" ALUMINUM TUBE (BY OTHERS)

1 CORNER @ CHAPEL B
SCALE: FULL



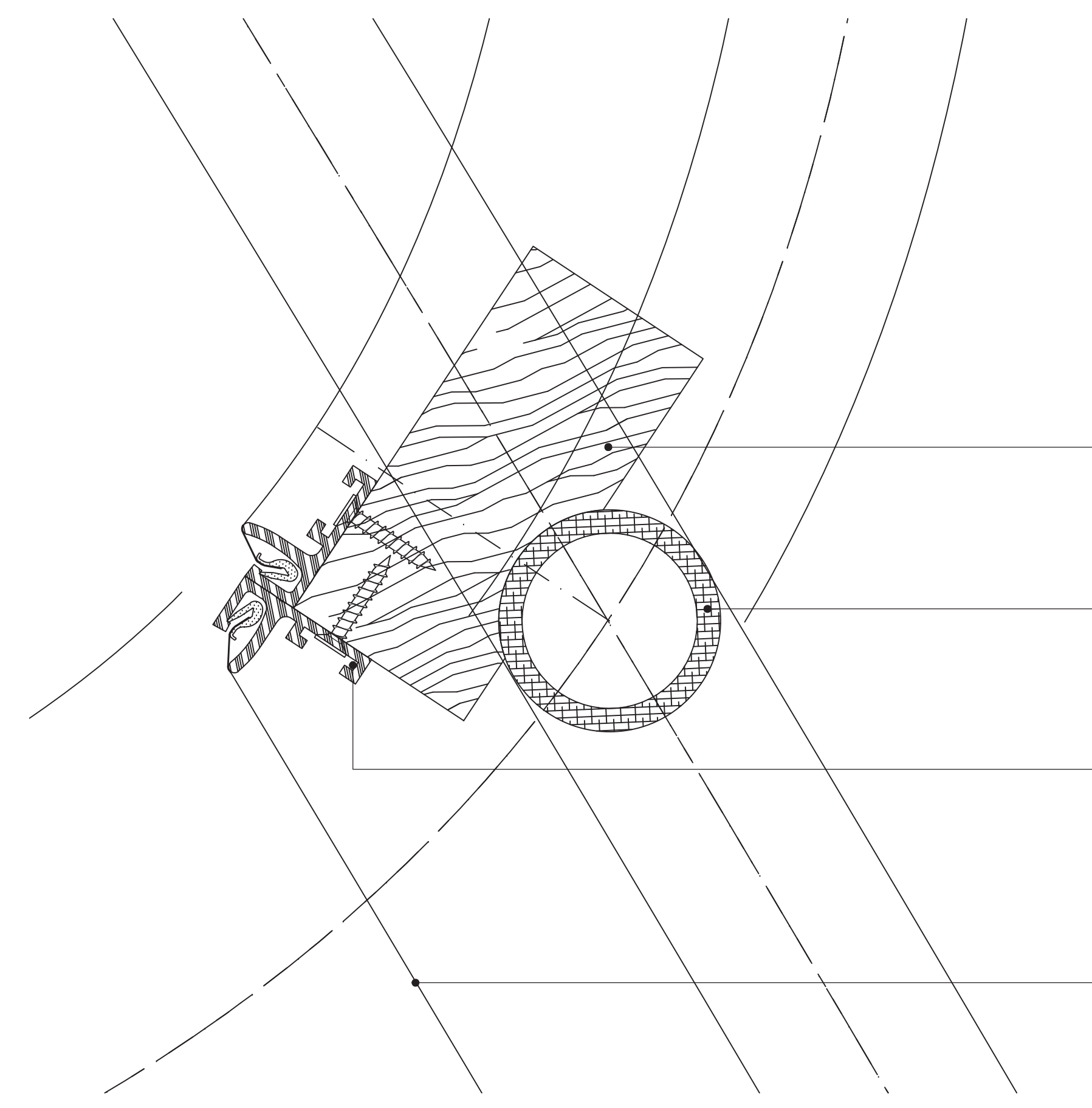
- 'KEE KLAMP19' (BY OTHERS)
- WOOD BLOCKING (BY OTHERS)
- NEWMAT EC190/ MAT EPAIS MEMBRANE W/ CUSTOM PERFORATION
- NEWMAT CEILING GHOST PVC

3 'COCOON' CORNER
SCALE: FULL



- 'KEE KLAMP10' (BY OTHERS)
- 2" ALUMINUM TUBE (BY OTHERS)
- WOOD BLOCKING (BY OTHERS)
- NEWMAT DOUBLE GHOST PVC
- NEWMAT EC190/ MAT EPAIS MEMBRANE W/ CUSTOM PERFORATION


2 'COCOON' DIVIDER
SCALE: FULL

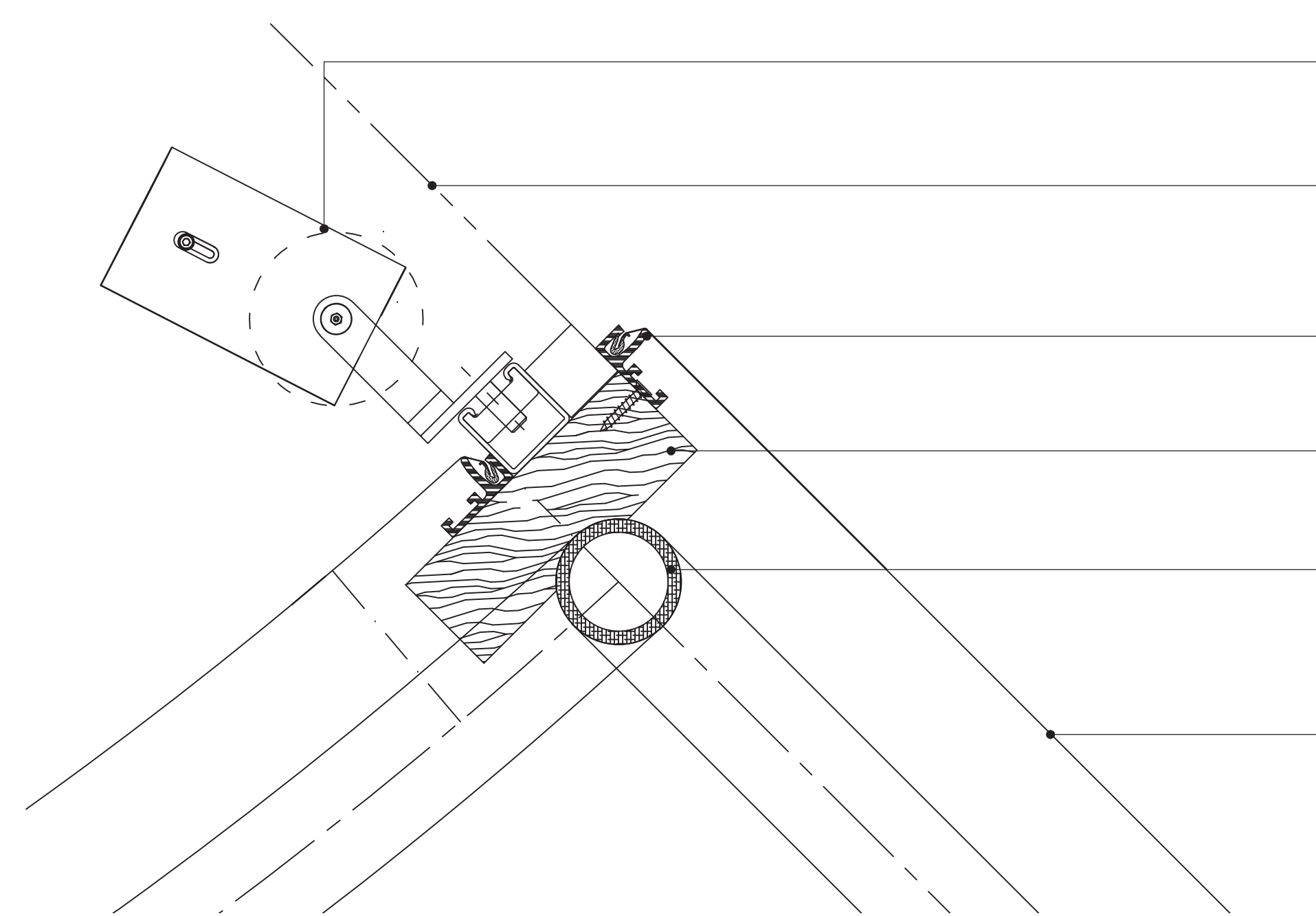


- WOOD BLOCKING (BY OTHERS)
- 2" ALUMINUM TUBE (BY OTHERS)
- NEWMAT CEILING GHOST PVC
- NEWMAT EC190/ MAT EPAIS MEMBRANE W/ CUSTOM PERFORATION

4 CORNER @ CHAPEL D
SCALE: FULL

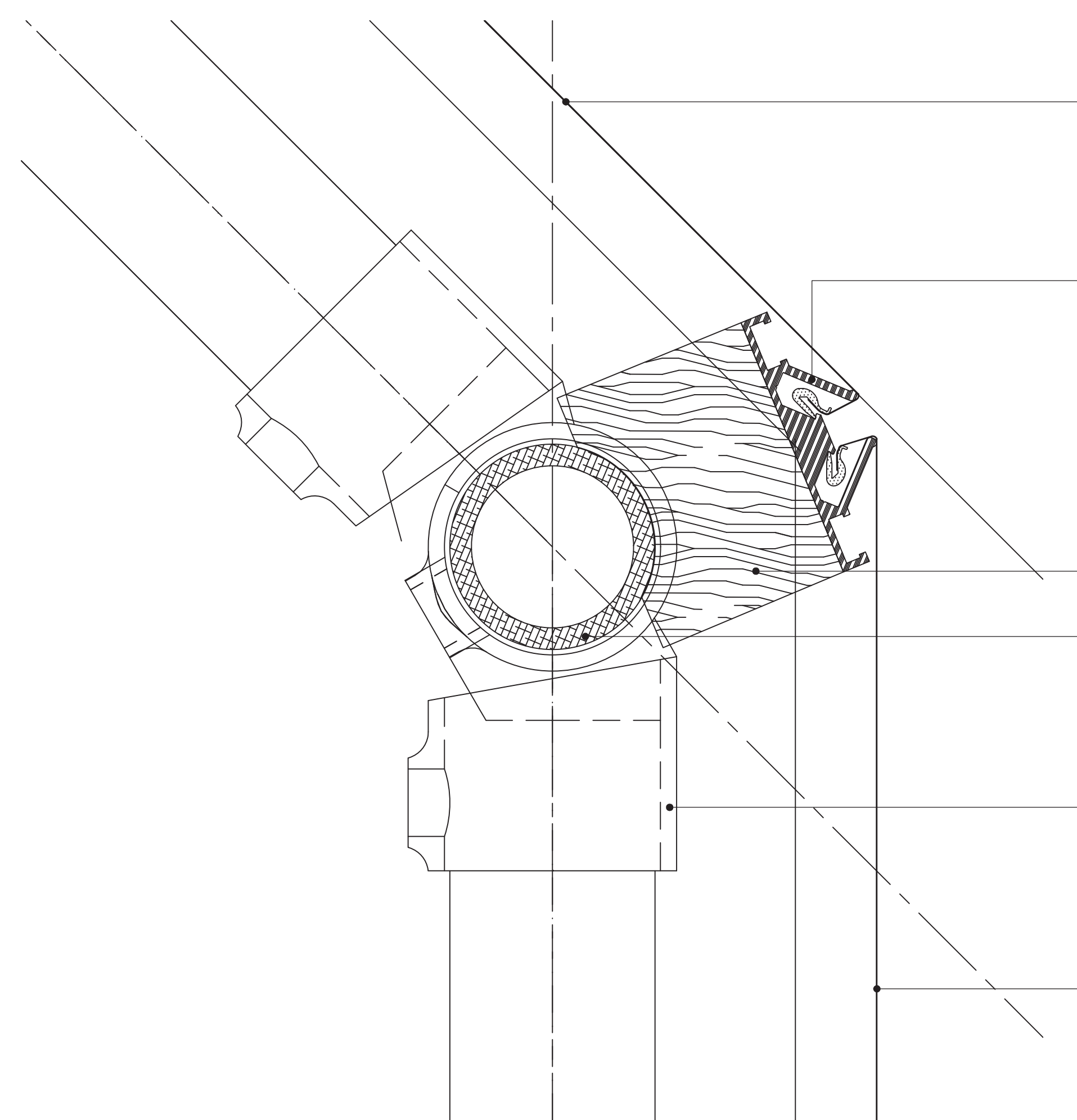
NOTES:
 1) ALL DIMENSIONS AND LOCATIONS MUST BE V.I.F. PRIOR TO NEWMAT FABRICATION AND INSTALLATION.
 2) ALL DRYWALL APPLICATIONS REQUIRE 12" CONTINUOUS 16GA (MINIMUM) METAL STRAPPING REINFORCEMENT BEHIND DRYWALL AT ALL NEWMAT ATTACHMENT LOCATIONS.
 3) ALL 'BLOCKING BY OTHERS' MUST BE CONTINUOUS, STRAIGHT, LEVEL AND/OR PLUMB AND ABLE TO WITHSTAND 30LBS. PER LINEAR FOOT OF LATERAL TENSION WHICH WILL BE EXERTED BY EACH LAYER OF MEMBRANE.

NOTICE: THESE DRAWINGS WERE PRODUCED BY AND ARE THE SOLE PROPERTY OF NEWMAT USA LTD ANY AND ALL INFORMATION CONTAINED HEREIN SHALL NOT BE USED BY ANY OTHER PERSON OR COMPANY WITHOUT THE EXPRESSED WRITTEN CONSENT OF NEWMAT USA LTD. THE DRAWINGS MAY HAVE BEEN BASED ON CONSTRUCTION DRAWINGS NOT PREPARED BY NEWMAT USA LTD. THEREFORE MAY NOT REPRESENT THE CONDITIONS AS CONSTRUCTED AT THAT TIME.				81 MAHAN STREET, WEST BABYLON, NY 11704 TEL. (631) 261 1498 FAX (631) 261 1756		Scale:	Drawn By:
#	REVISIONS:	Drawn By	Checked By	Drawing Title:		AS NOTED	R.K.
A				DETAILS			Checked By:
B				Job Title:			
C				Customer Name:			
D				METROPOLITAN MUSEUM OF ART		Job Number:	Date:
E				1000 FIFTH AVE NEW YORK, NY 10028		13-000	3/23/2016
 STRETCH CEILING SYSTEMS						Drawing Number:	A-03



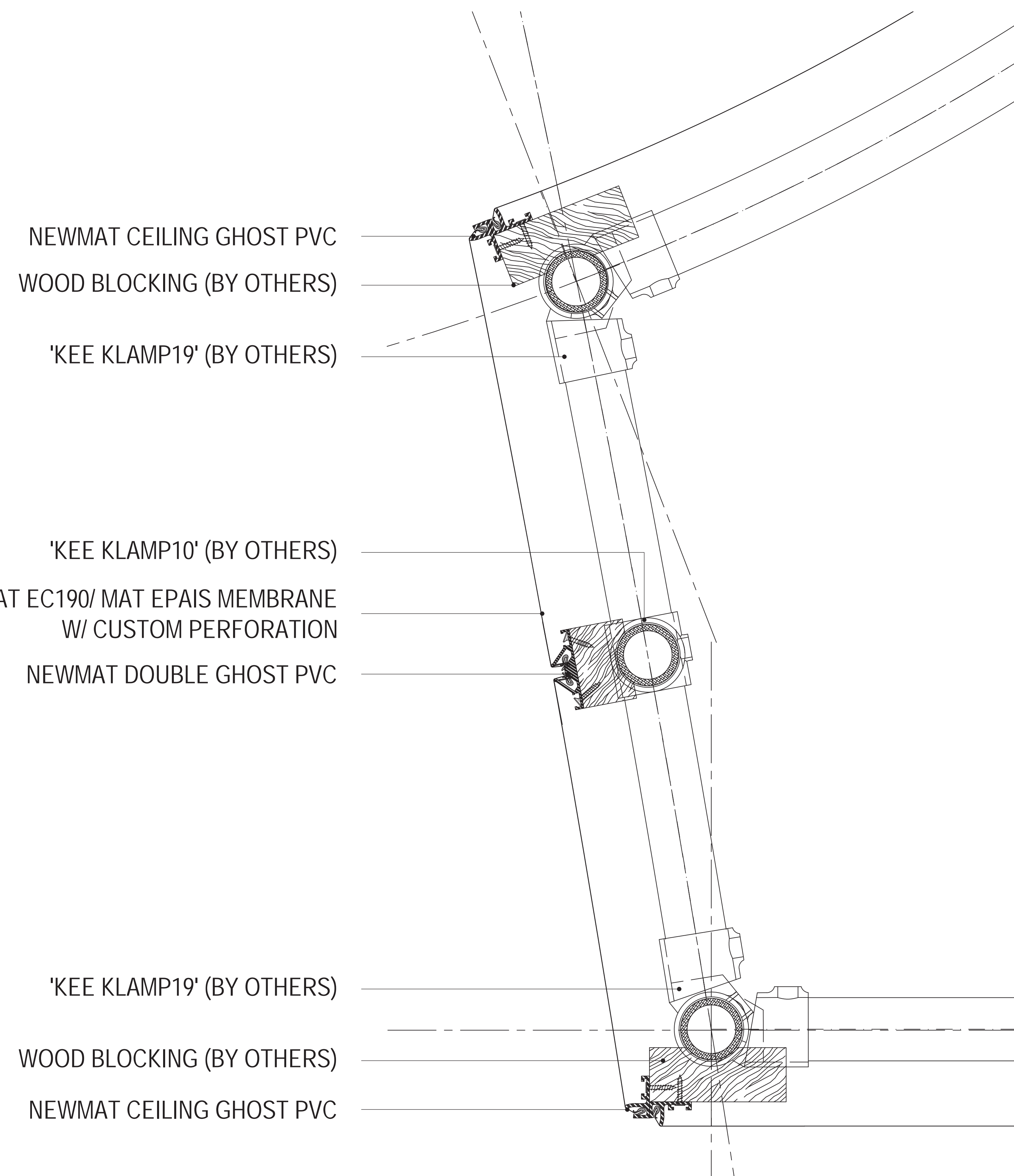
1 LIGHTING @ PROCESS NICHE
SCALE: 6" = 1'-0"

- LIGHT FIXTURE (BY OTHERS)
- PROJECTION SCREEN (BY OTHERS)
- NEWMAT CEILING GHOST PVC
- WOOD BLOCKING (BY OTHERS)
- 2" ALUMINUM TUBE (BY OTHERS)
- NEWMAT EC190/ MAT EPAIS MEMBRANE W/ CUSTOM PERFORATION



2 135° CORNER
SCALE: FULL

- NEWMAT EC190/ MAT EPAIS MEMBRANE W/ CUSTOM PERFORATION
- NEWMAT DOUBLE GHOST PVC
- WOOD BLOCKING (BY OTHERS)
- 2" ALUMINUM TUBE (BY OTHERS)
- 'KEE KLAMP19' (BY OTHERS)
- NEWMAT EC190/ MAT EPAIS MEMBRANE W/ CUSTOM PERFORATION

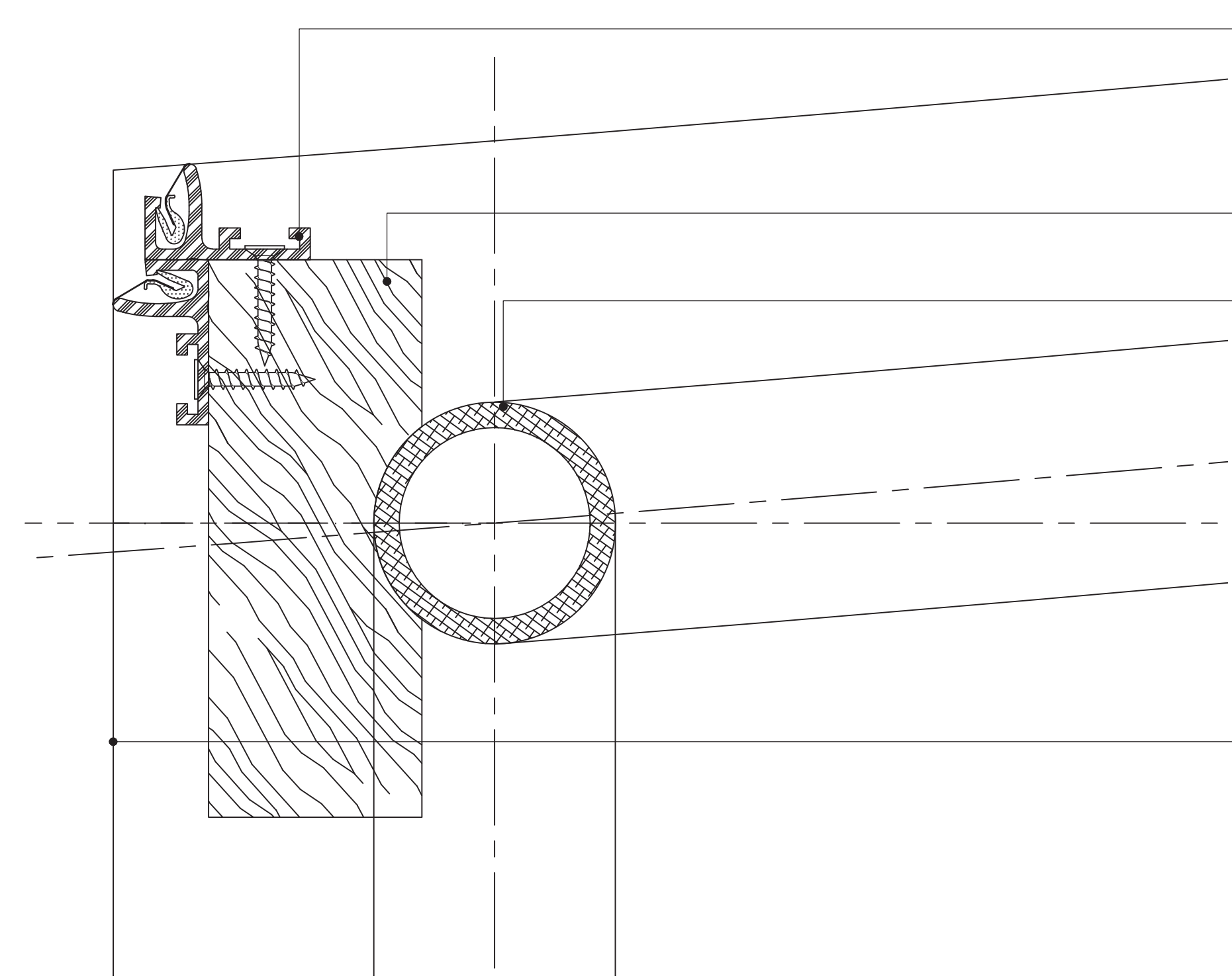


3 OUTER WALL @ CHAPEL C
SCALE: 6" = 1'-0"

- NEWMAT CEILING GHOST PVC
- WOOD BLOCKING (BY OTHERS)
- 'KEE KLAMP19' (BY OTHERS)
- 'KEE KLAMP10' (BY OTHERS)
- NEWMAT EC190/ MAT EPAIS MEMBRANE W/ CUSTOM PERFORATION
- NEWMAT DOUBLE GHOST PVC
- 'KEE KLAMP19' (BY OTHERS)
- WOOD BLOCKING (BY OTHERS)
- NEWMAT CEILING GHOST PVC

NOTES:
 1) ALL DIMENSIONS AND LOCATIONS MUST BE V.I.F. PRIOR TO NEWMAT FABRICATION AND INSTALLATION.
 2) ALL DRYWALL APPLICATIONS REQUIRE 12" CONTINUOUS 16GA (MINIMUM) METAL STRAPPING REINFORCEMENT BEHIND DRYWALL AT ALL NEWMAT ATTACHMENT LOCATIONS.
 3) ALL 'BLOCKING BY OTHERS' MUST BE CONTINUOUS, STRAIGHT, LEVEL AND/OR PLUMB AND ABLE TO WITHSTAND 30LBS. PER LINEAR FOOT OF LATERAL TENSION WHICH WILL BE EXERTED BY EACH LAYER OF MEMBRANE.

<p>NOTICE: THESE DRAWINGS WERE PRODUCED BY AND ARE THE SOLE PROPERTY OF NEWMAT USA LTD ANY AND ALL INFORMATION CONTAINED HEREIN SHALL NOT BE USED BY ANY OTHER PERSON OR COMPANY WITHOUT THE EXPRESSED WRITTEN CONSENT OF NEWMAT USA LTD. THE DRAWINGS MAY HAVE BEEN BASED ON CONSTRUCTION DRAWINGS NOT PREPARED BY NEWMAT USA LTD. THEREFORE MAY NOT REPRESENT THE CONDITIONS AS CONSTRUCTED AT THAT TIME.</p>				<p>81 MAHAN STREET, WEST BABYLON, NY 11704 TEL: (631) 261 1498 FAX: (631) 261 1756</p>		<p>Scale: AS NOTED</p>	<p>Drawn By: R.K. Checked By:</p>																							
<p>NEWMAT NORTHEAST CORP.</p>		<p># REVISIONS:</p> <table border="1"> <thead> <tr> <th>#</th> <th>DATE</th> <th>Drawn By</th> <th>Checked By</th> </tr> </thead> <tbody> <tr> <td>A</td> <td></td> <td></td> <td></td> </tr> <tr> <td>B</td> <td></td> <td></td> <td></td> </tr> <tr> <td>C</td> <td></td> <td></td> <td></td> </tr> <tr> <td>D</td> <td></td> <td></td> <td></td> </tr> <tr> <td>E</td> <td></td> <td></td> <td></td> </tr> </tbody> </table>	#	DATE	Drawn By	Checked By	A				B				C				D				E				<p>Drawing Title: DETAILS</p>		<p>Job Number: 13-000</p>	<p>Date: 3/23/2016</p>
#	DATE	Drawn By	Checked By																											
A																														
B																														
C																														
D																														
E																														
<p>newmat STRETCH CEILING SYSTEMS</p>		<p>Customer Name: METROPOLITAN MUSEUM OF ART 1000 FIFTH AVE NEW YORK, NY 11028</p>		<p>Drawing Number: A-04</p>																										



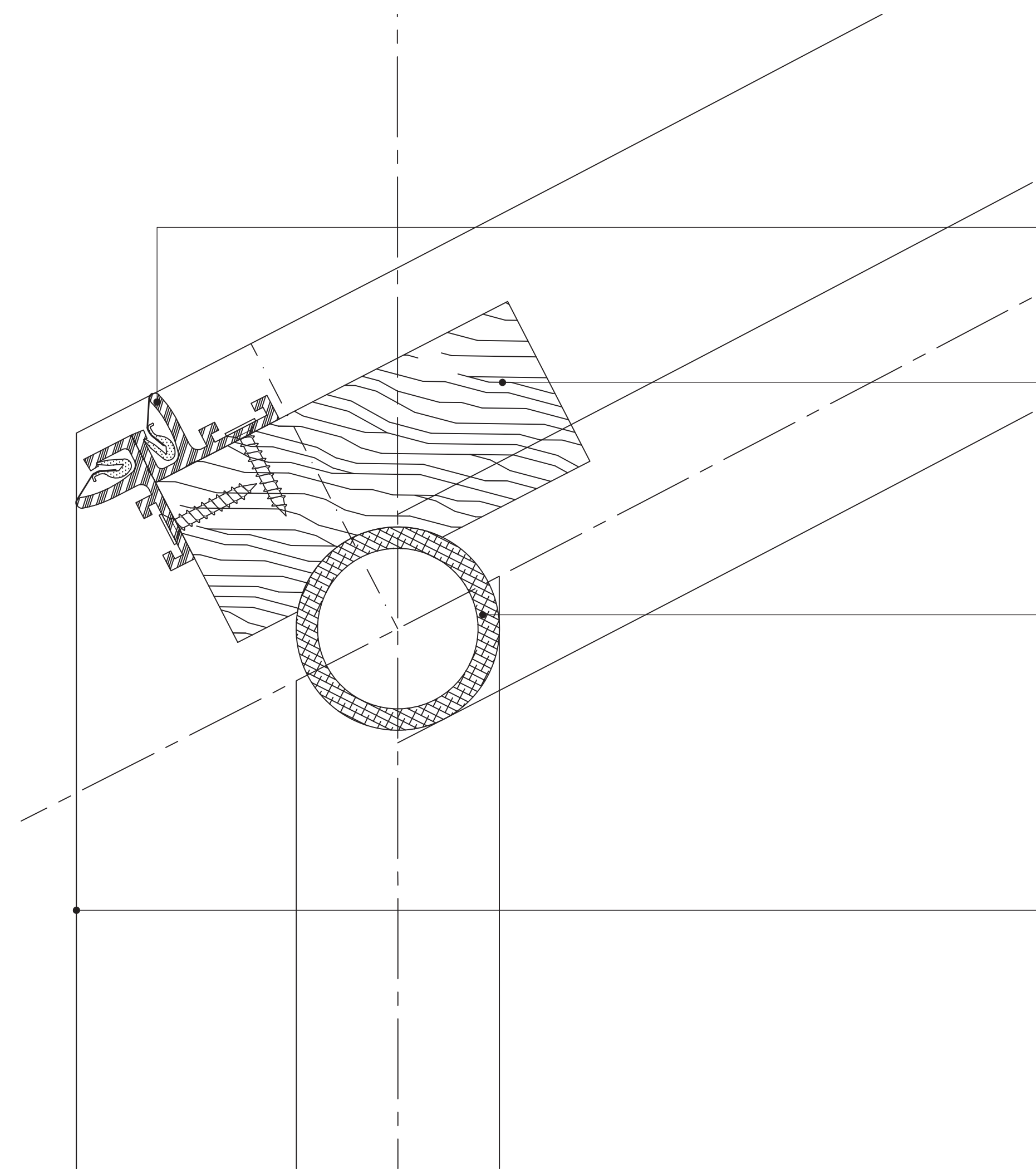
NEWMAT CEILING GHOST PVC

WOOD BLOCKING (BY OTHERS)

2" ALUMINUM TUBE (BY OTHERS)

NEWMAT EC190/ MAT EPAIS MEMBRANE
W/ CUSTOM PERFORATION

1 CORNER @ CENTRAL ENTRY
SCALE: FULL



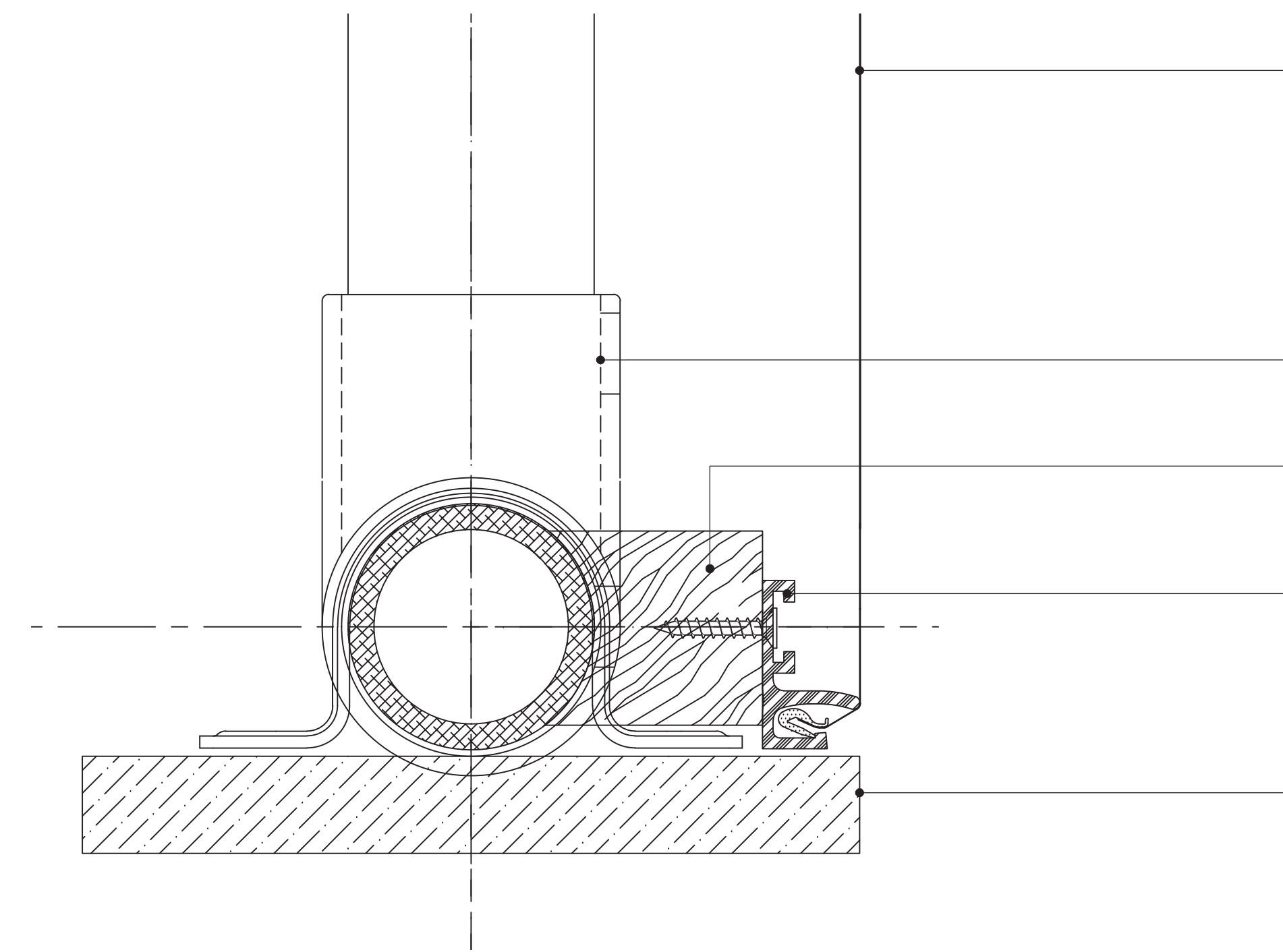
NEWMAT CEILING GHOST PVC

WOOD BLOCKING (BY OTHERS)

2" ALUMINUM TUBE (BY OTHERS)

NEWMAT EC190/ MAT EPAIS MEMBRANE
W/ CUSTOM PERFORATION

2 CORNER @ SIDE ENTRY
SCALE: FULL



NEWMAT EC190/ MAT EPAIS MEMBRANE
W/ CUSTOM PERFORATION

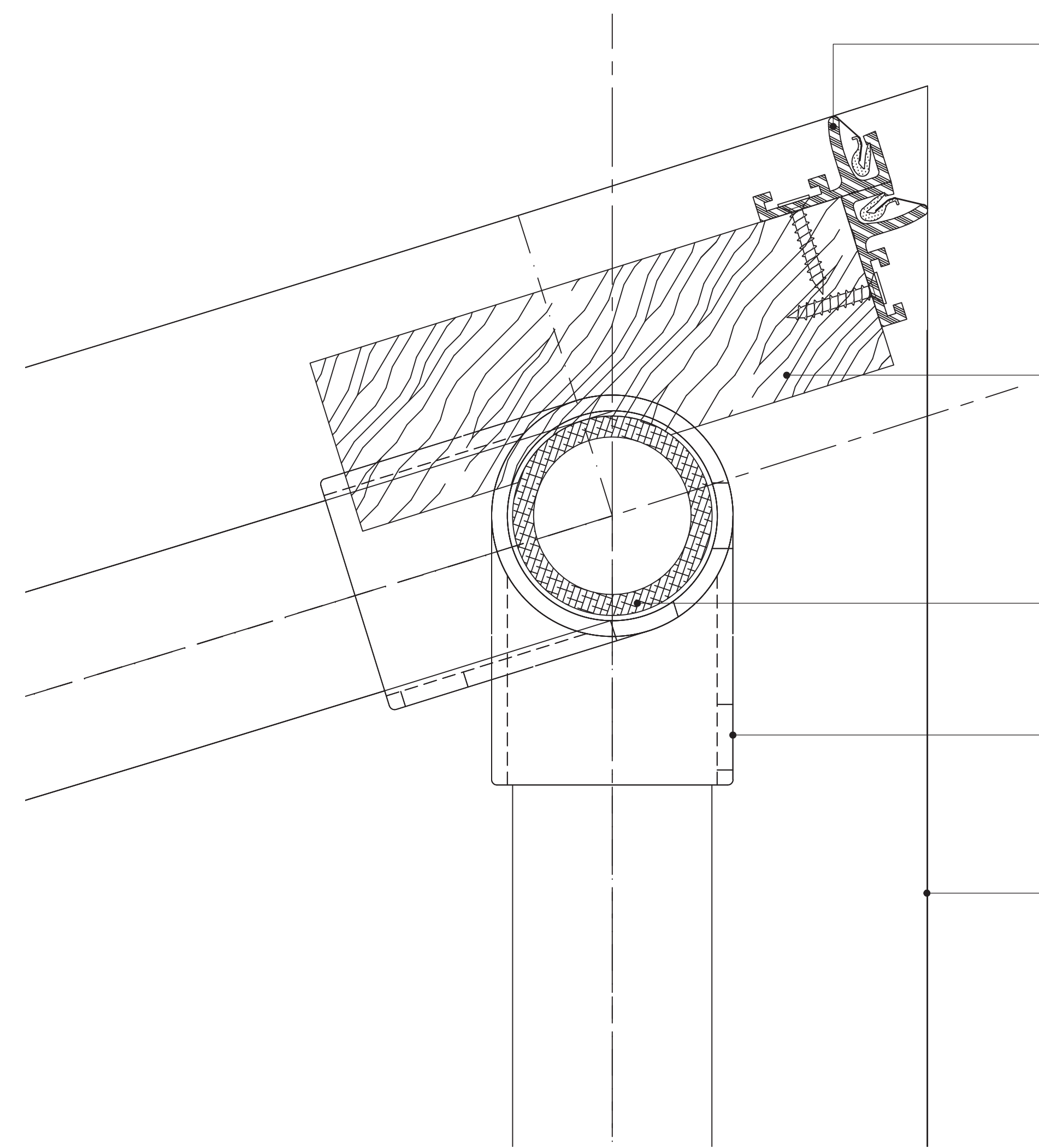
KEE KLAMP10 (BY OTHERS)

WOOD BLOCKING (BY OTHERS)

NEWMAT CEILING GHOST PVC

PAINTED MILLWORK
FRAME @ ENTRY (BY OTHERS)

3 TYP END RETURN
SCALE: FULL



NEWMAT CEILING GHOST PVC

WOOD BLOCKING (BY OTHERS)

2" ALUMINUM TUBE (BY OTHERS)

KEE KLAMP10 (BY OTHERS)

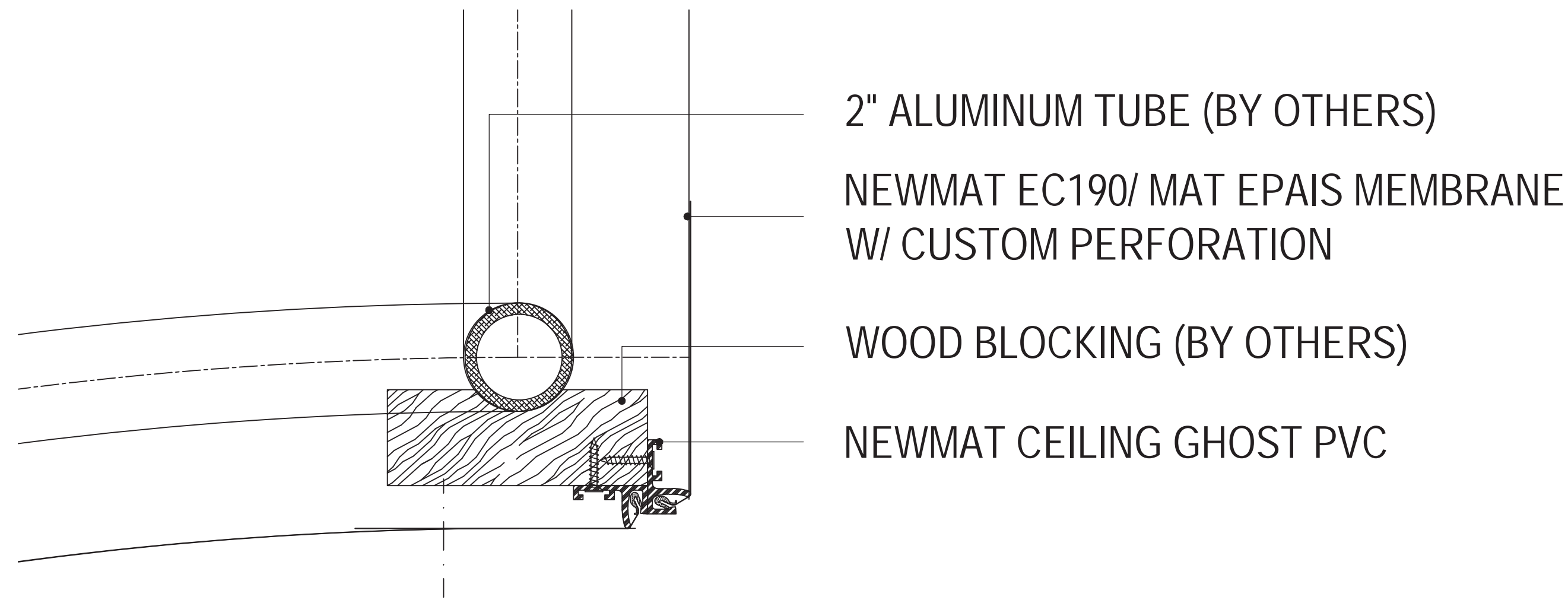
NEWMAT EC190/ MAT EPAIS MEMBRANE
W/ CUSTOM PERFORATION

4 ACUTE CORNER @ SIDE ENTRY
SCALE: FULL

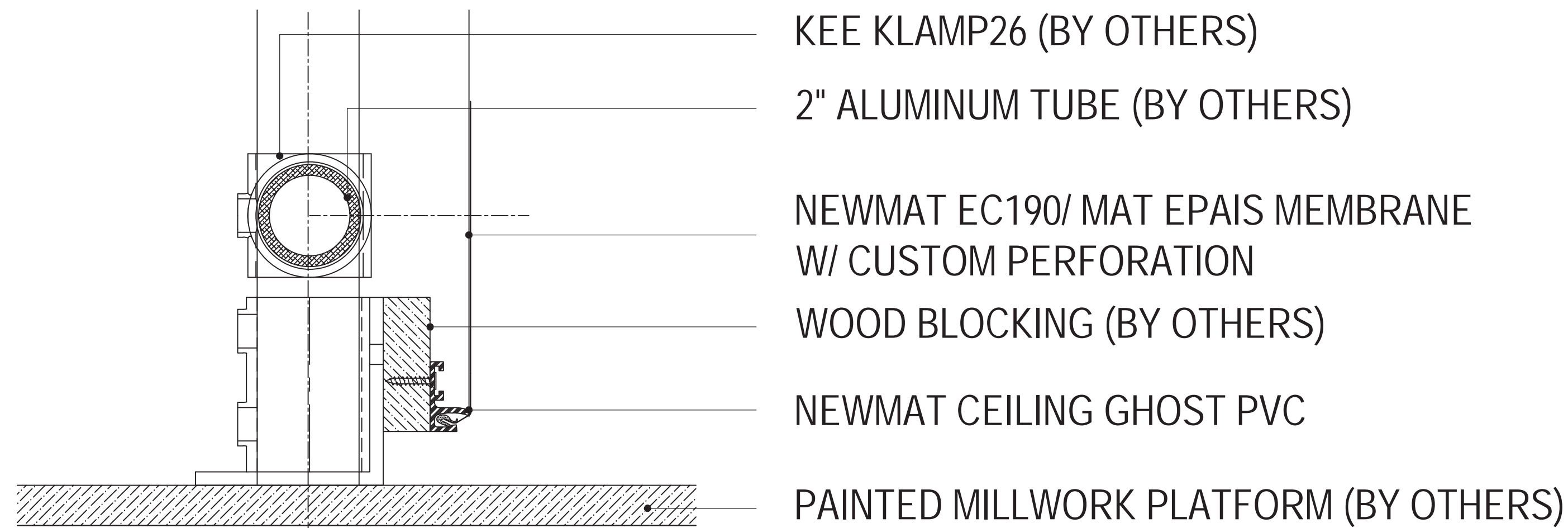
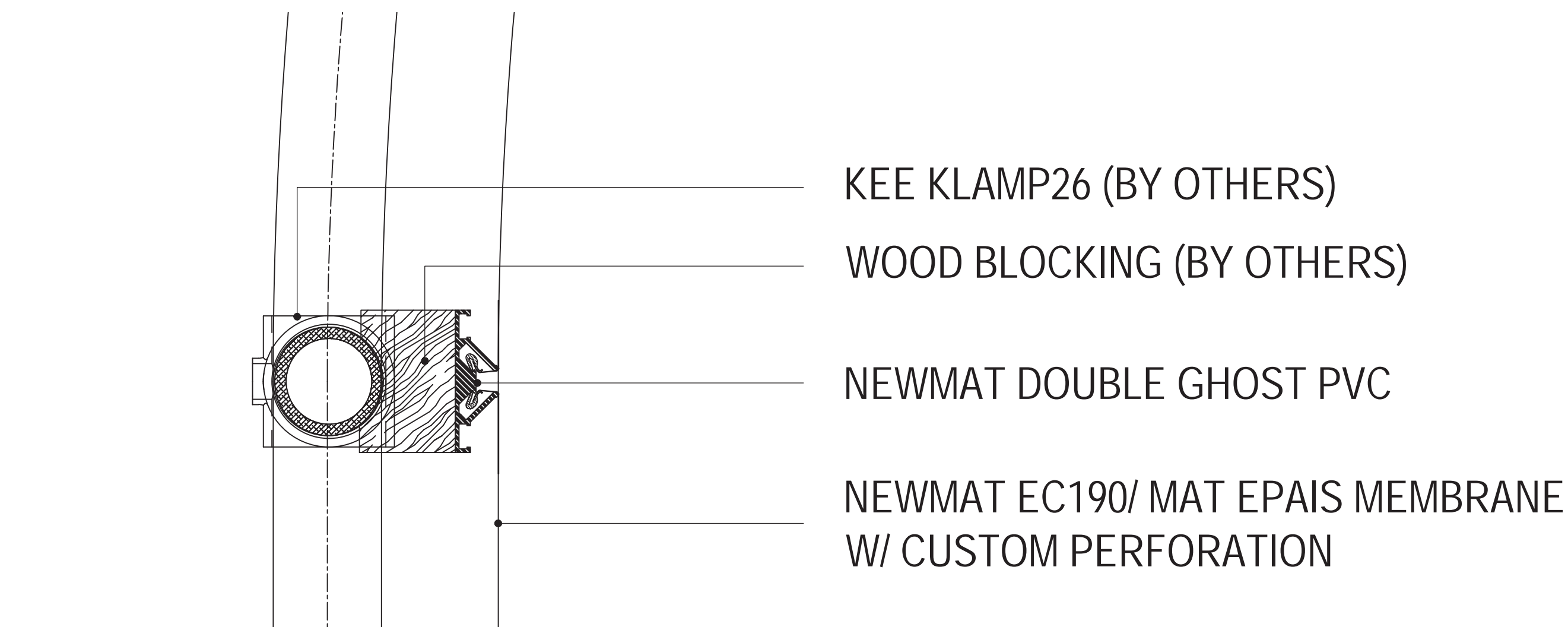
NOTES:
 1) ALL DIMENSIONS AND LOCATIONS MUST BE V.I.F. PRIOR TO NEWMAT FABRICATION AND INSTALLATION.
 2) ALL DRYWALL APPLICATIONS REQUIRE 12" CONTINUOUS 16GA (MINIMUM) METAL STRAPPING REINFORCEMENT BEHIND DRYWALL AT ALL NEWMAT ATTACHMENT LOCATIONS.
 3) ALL "BLOCKING BY OTHERS" MUST BE CONTINUOUS, STRAIGHT, LEVEL AND/OR PLUMB AND ABLE TO WITHSTAND 30LBS. PER LINEAR FOOT OF LATERAL TENSION WHICH WILL BE EXERTED BY EACH LAYER OF MEMBRANE.

NOTICE: THESE DRAWINGS WERE PRODUCED BY AND ARE THE SOLE PROPERTY OF NEWMAT USA LTD ANY AND ALL INFORMATION CONTAINED HEREIN SHALL NOT BE USED BY ANY OTHER PERSON OR COMPANY WITHOUT THE EXPRESSED WRITTEN CONSENT OF NEWMAT USA LTD. THE DRAWINGS MAY HAVE BEEN BASED ON CONSTRUCTION DRAWINGS NOT PREPARED BY NEWMAT USA LTD. THEREFORE MAY NOT REPRESENT THE CONDITIONS AS CONSTRUCTED AT THAT TIME.				81 MAHAN STREET, WEST BABYLON, NY 11704 TEL: (631) 261 1498 FAX: (631) 261 1756		Scale:	Drawn By:
#	REVISIONS:	DATE	Drawn By	Checked By	Drawing Title:	AS NOTED	R.K.
A					DETAILS		Checked By:
B					Job Title:		
C					MxM LEHMAN WING	Job Number:	Date:
D					METROPOLITAN MUSEUM OF ART	13-000	3/23/2016
E					1000 FIFTH AVE NEW YORK, NY 11028	Drawing Number:	A-05

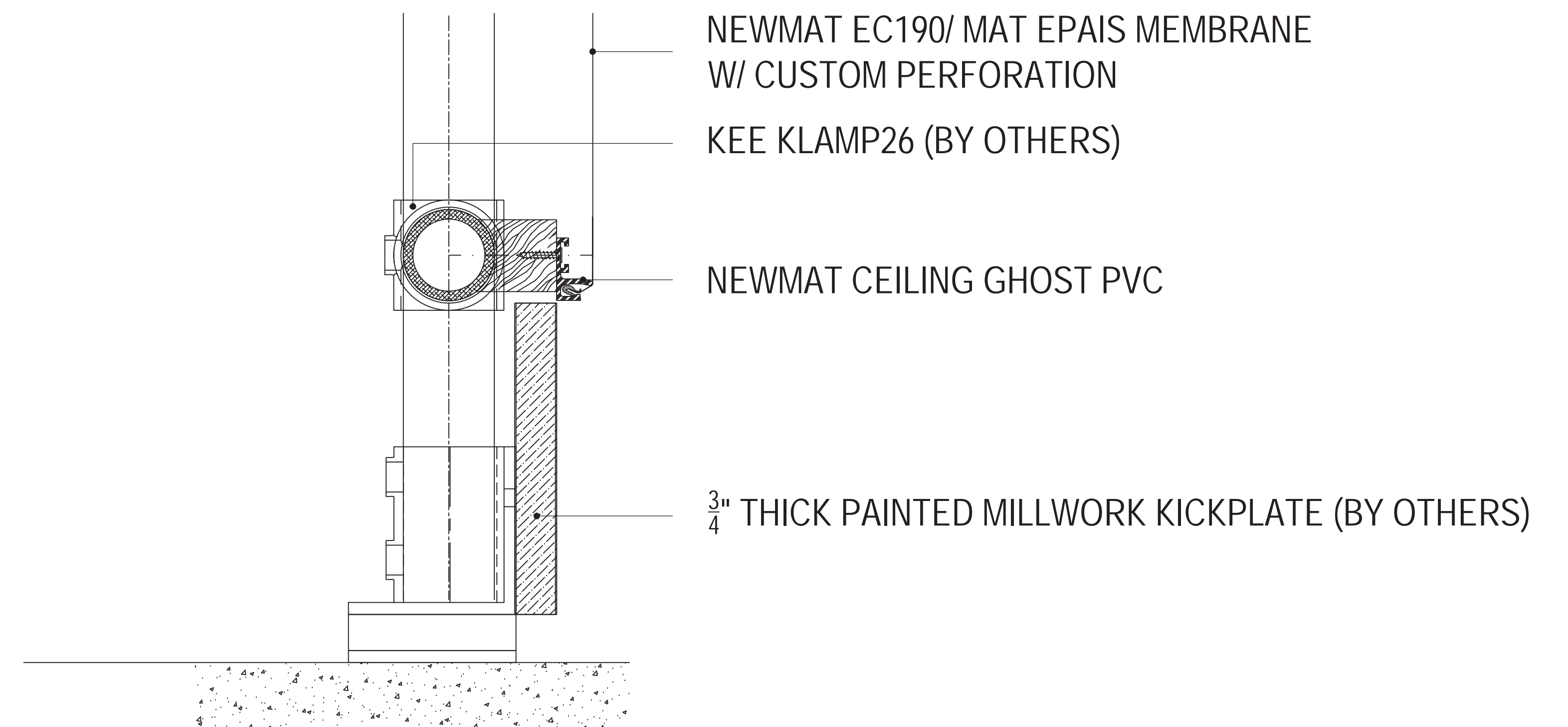
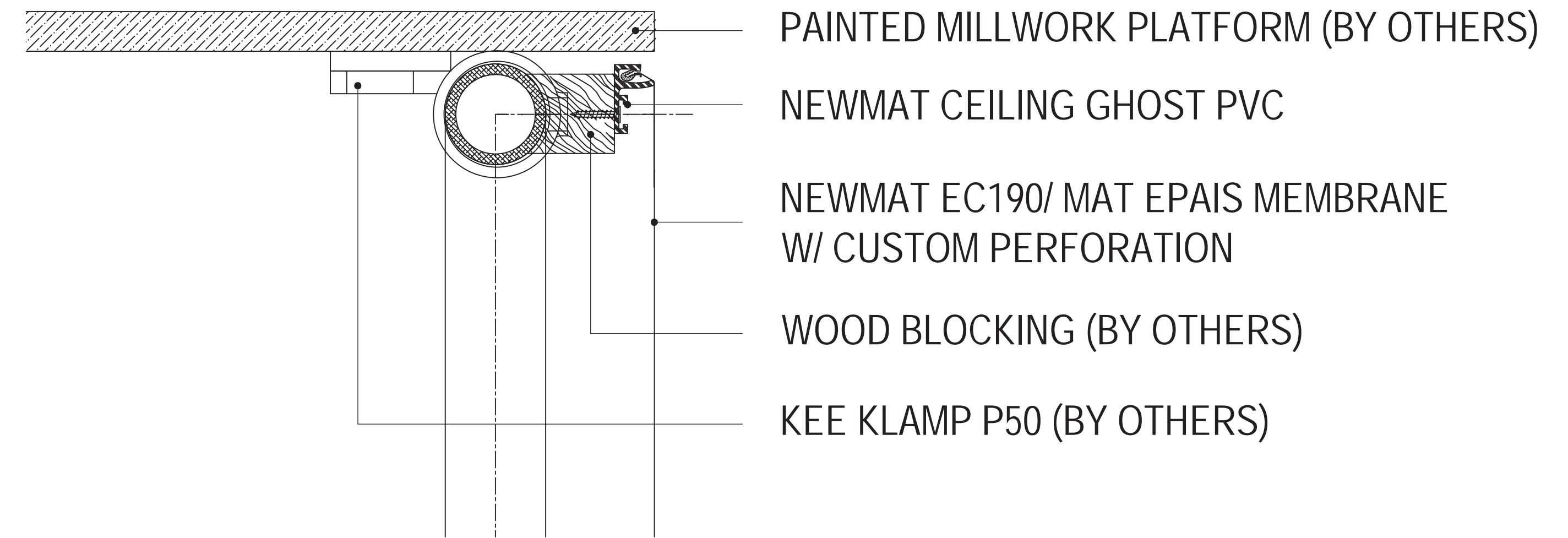




1 CROWN @ TYPICAL NICHE
SCALE: 6" = 1'-0"



2 FOOT @ PROCESS NICHE
SCALE: 6" = 1'-0"

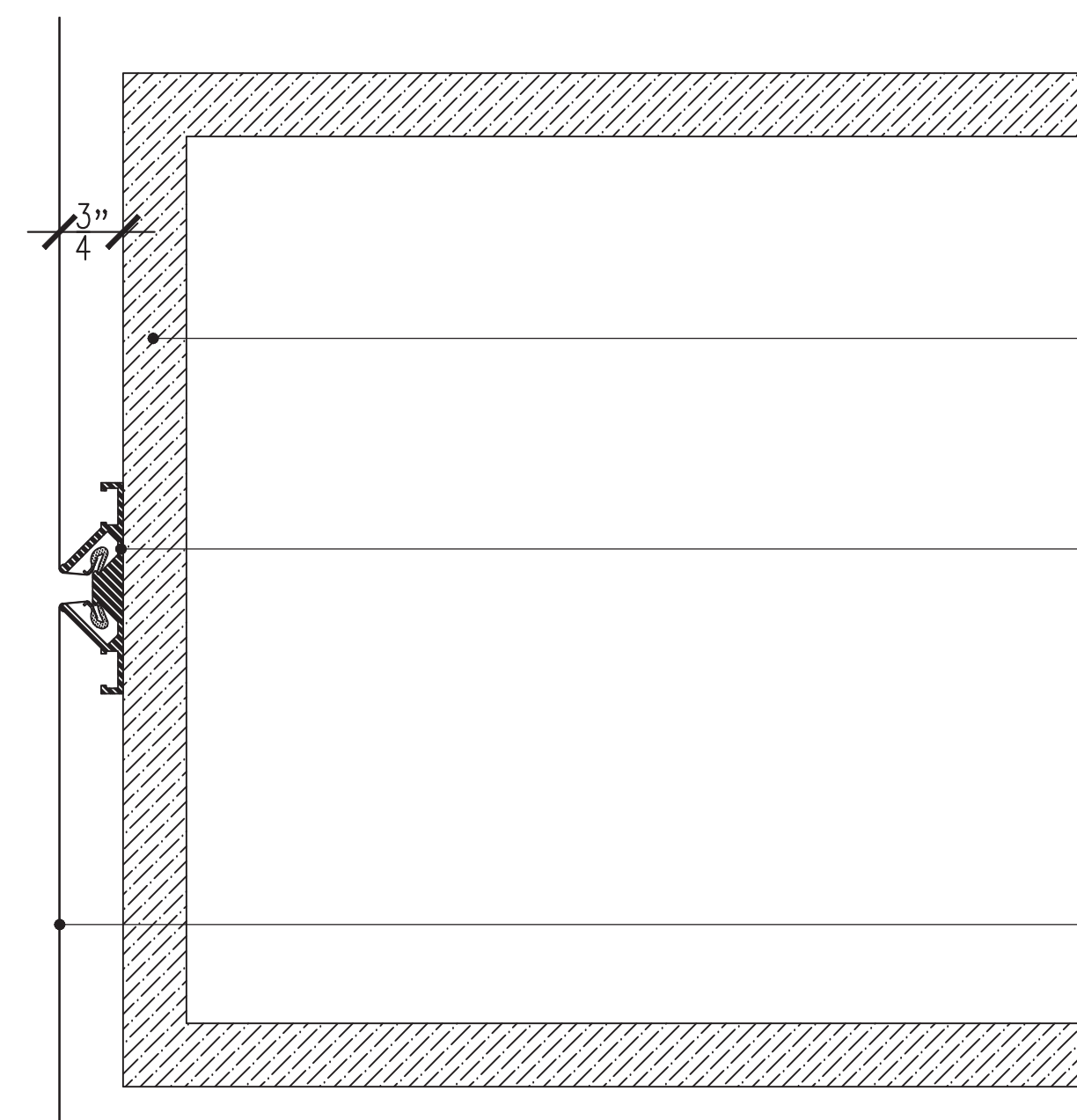


3 FOOT @ CORRIDOR
SCALE: 6" = 1'-0"

NOTES:
 1) ALL DIMENSIONS AND LOCATIONS MUST BE V.I.F. PRIOR TO NEWMAT FABRICATION AND INSTALLATION.
 2) ALL DRYWALL APPLICATIONS REQUIRE 12" CONTINUOUS 16GA (MINIMUM) METAL STRAPPING REINFORCEMENT BEHIND DRYWALL AT ALL NEWMAT ATTACHMENT LOCATIONS.
 3) ALL "BLOCKING BY OTHERS" MUST BE CONTINUOUS, STRAIGHT, LEVEL AND/OR PLUMB AND ABLE TO WITHSTAND 30LBS. PER LINEAR FOOT OF LATERAL TENSION WHICH WILL BE EXERTED BY EACH LAYER OF MEMBRANE.

NOTICE: THESE DRAWINGS WERE PRODUCED BY AND ARE THE SOLE PROPERTY OF NEWMAT USA LTD ANY AND ALL INFORMATION CONTAINED HEREIN SHALL NOT BE USED BY ANY OTHER PERSON OR COMPANY WITHOUT THE EXPRESSED WRITTEN CONSENT OF NEWMAT USA LTD. THE DRAWINGS MAY HAVE BEEN BASED ON CONSTRUCTION DRAWINGS NOT PREPARED BY NEWMAT USA LTD. THEREFORE MAY NOT REPRESENT THE CONDITIONS AS CONSTRUCTED AT THAT TIME.				81 MAHAN STREET, WEST BABYLON, NY 11704 TEL: (631) 261 1498 FAX: (631) 261 1756		Scale: AS NOTED	Drawn By: R.K.
#	REVISIONS:	Drawn By	Checked By	Job Title:	Customer Name:	Job Number:	Date:
A				DETAILS	MxM LEHMAN WING	13-000	3/23/2016
B					METROPOLITAN MUSEUM OF ART		
C					1000 FIFTH AVE NEW YORK, NY 11028		
D							
E							

NEWMAT
NORTHEAST CORP.
newmat
 STRETCH CEILING SYSTEMS

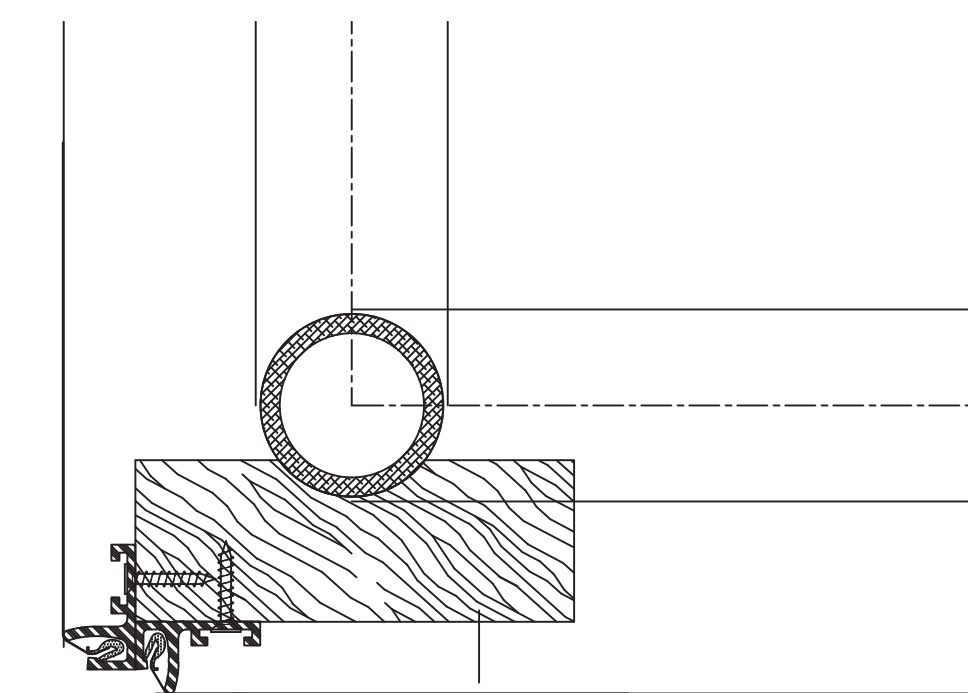


ARCHED BEAM OF DOME (BY OTHERS)

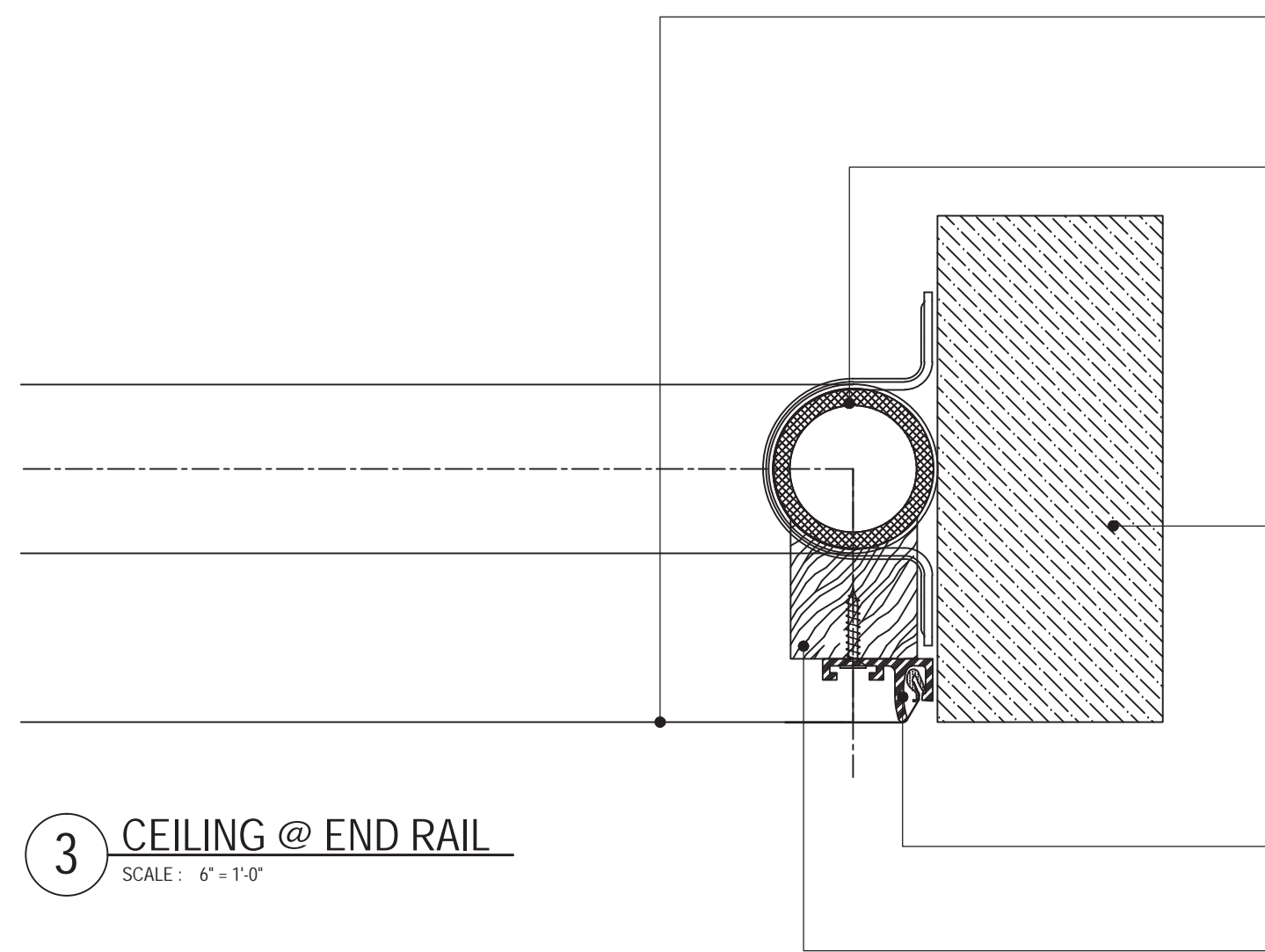
NEWMAT DOUBLE GHOST PVC DIVIDER

NEWMAT EC190/ MAT EPAIS MEMBRANE

1 DOME DIVIDER
SCALE: 6" = 1'-0"



2 CEILING @ CORNER
SCALE: 6" = 1'-0"



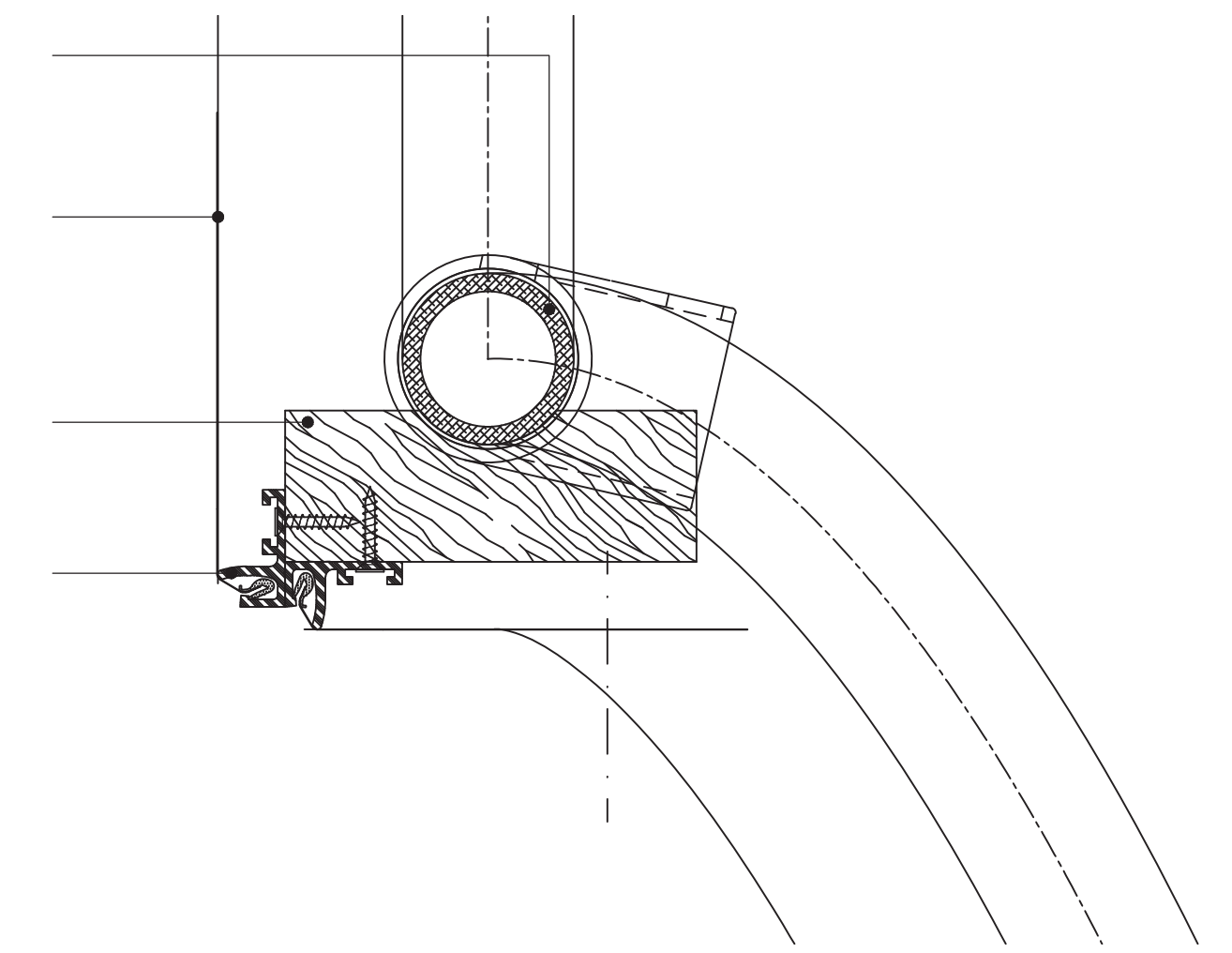
3 CEILING @ END RAIL
SCALE: 6" = 1'-0"

NEWMAT EC190/ MAT EPAIS MEMBRANE
W/ CUSTOM PERFORATION
2" ALUMINUM TUBE (BY OTHERS)

PAINTED MILLWORK
PORTAL FRAME (BY OTHERS)

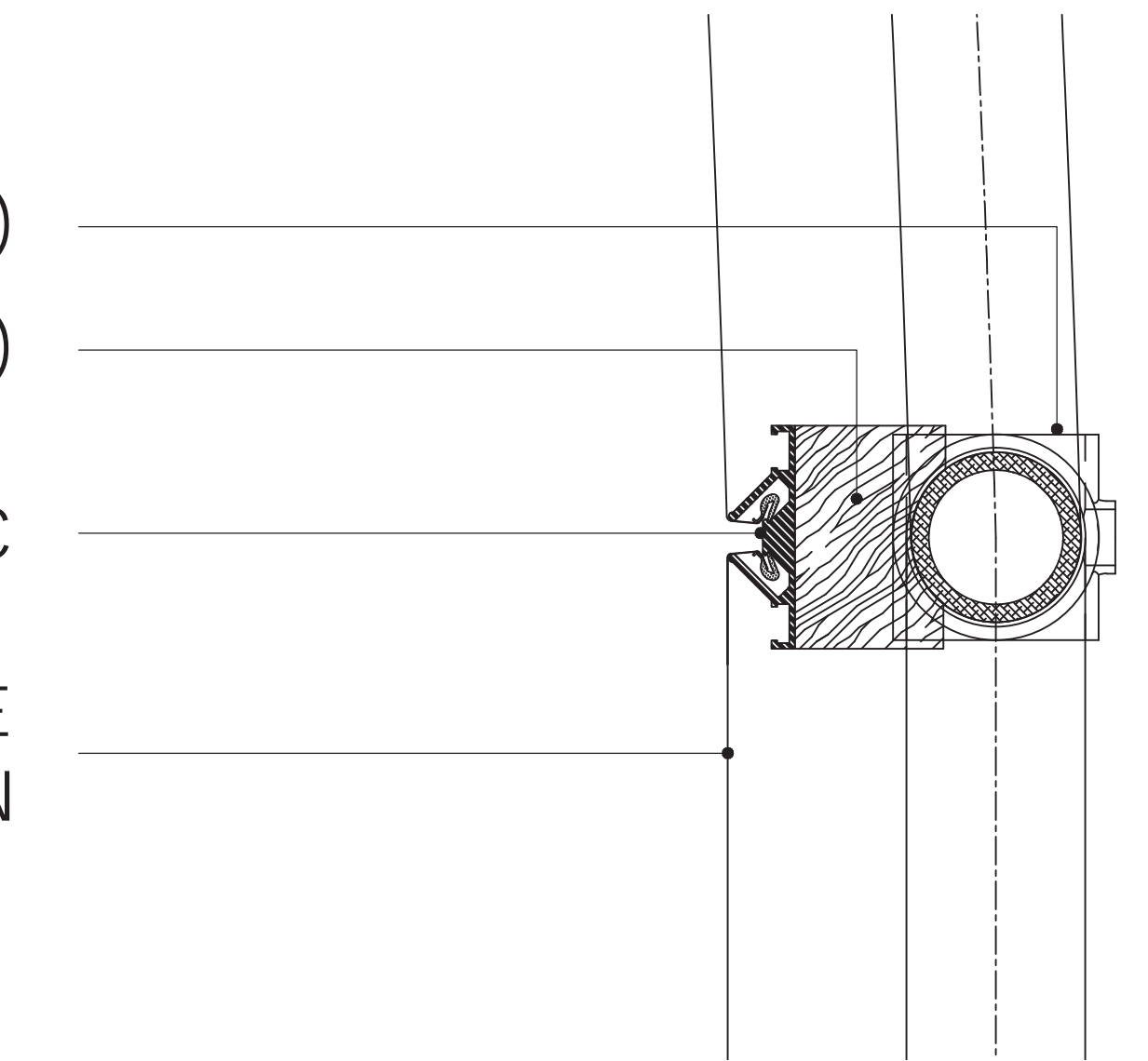
NEWMAT CEILING GHOST PVC
WOOD BLOCKING (BY OTHERS)

2" ALUMINUM TUBE (BY OTHERS)
NEWMAT EC190/ MAT EPAIS MEMBRANE
W/ CUSTOM PERFORATION
WOOD BLOCKING (BY OTHERS)
NEWMAT CEILING GHOST PVC

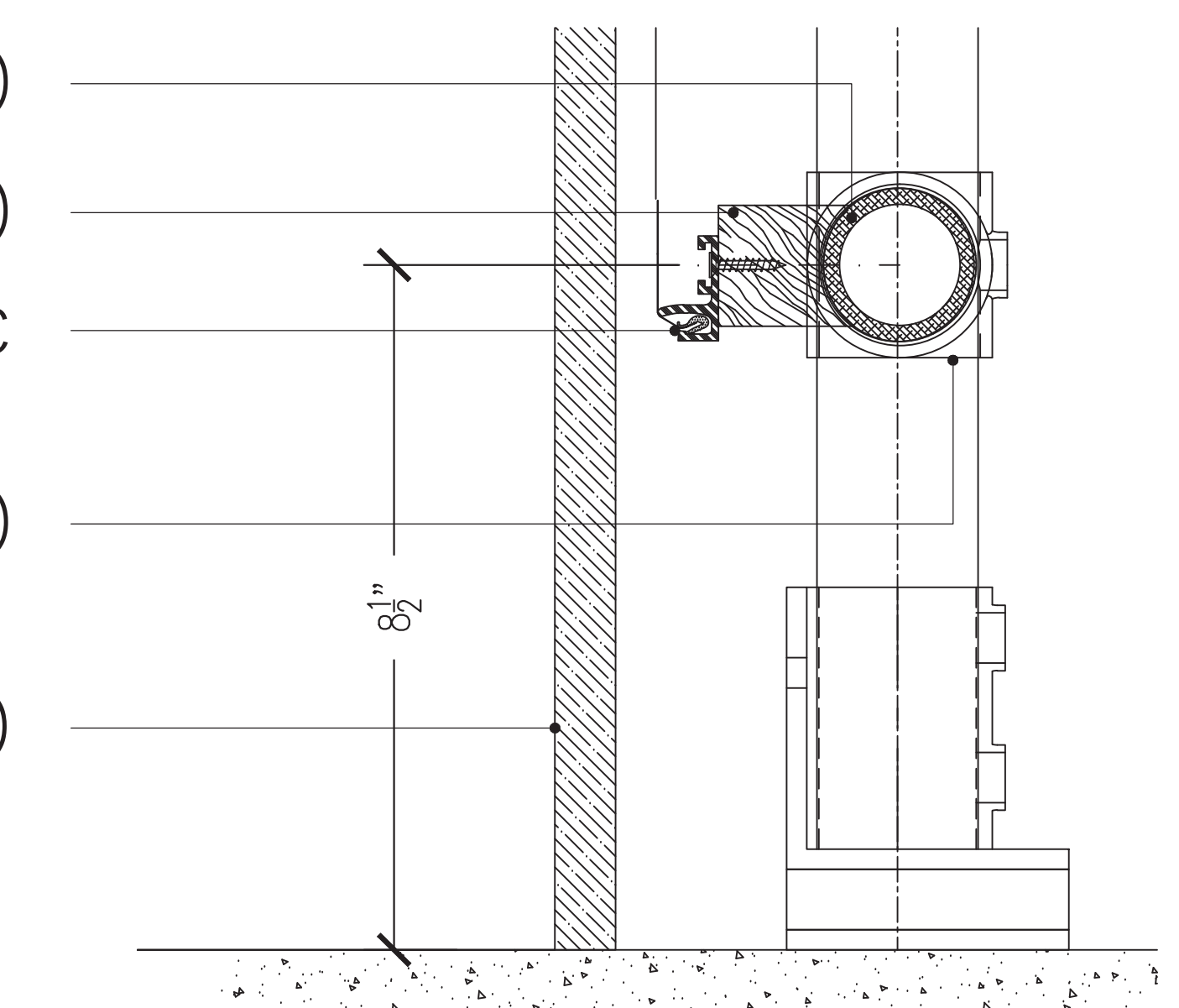


4 CROWN @ LONG NICHE
SCALE: 6" = 1'-0"

KEE KLAMP26 (BY OTHERS)
WOOD BLOCKING (BY OTHERS)
NEWMAT DOUBLE GHOST PVC
NEWMAT EC190/ MAT EPAIS MEMBRANE
W/ CUSTOM PERFORATION



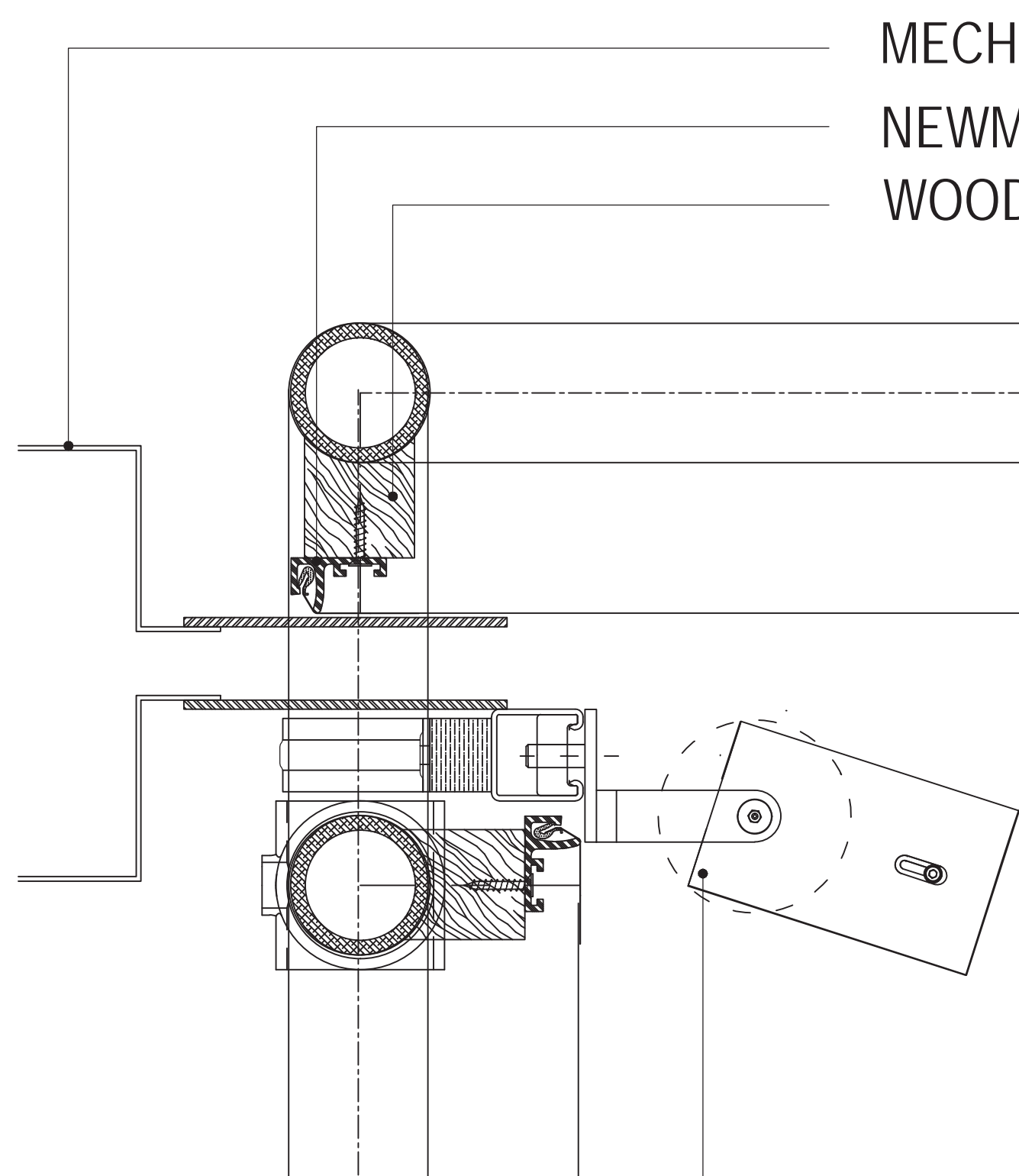
2" ALUMINUM TUBE (BY OTHERS)
WOOD BLOCKING (BY OTHERS)
NEWMAT CEILING GHOST PVC
KEE KLAMP26 (BY OTHERS)
PAINTED MILLWORK PLATFORM (BY OTHERS)



5 FOOT @ NICHE
SCALE: 6" = 1'-0"

NOTES:
1) ALL DIMENSIONS AND LOCATIONS MUST BE V.I.F. PRIOR TO NEWMAT FABRICATION AND INSTALLATION.
2) ALL DRYWALL APPLICATIONS REQUIRE 12" CONTINUOUS 16GA (MINIMUM) METAL STRAPPING REINFORCEMENT BEHIND DRYWALL AT ALL NEWMAT ATTACHMENT LOCATIONS.
3) ALL "BLOCKING BY OTHERS" MUST BE CONTINUOUS, STRAIGHT, LEVEL AND/OR PLUMB AND ABLE TO WITHSTAND 30LBS. PER LINEAR FOOT OF LATERAL TENSION WHICH WILL BE EXERTED BY EACH LAYER OF MEMBRANE.

<p>NOTICE: THESE DRAWINGS WERE PRODUCED BY AND ARE THE SOLE PROPERTY OF NEWMAT USA LTD ANY AND ALL INFORMATION CONTAINED HEREIN SHALL NOT BE USED BY ANY OTHER PERSON OR COMPANY WITHOUT THE EXPRESSED WRITTEN CONSENT OF NEWMAT USA LTD. THE DRAWINGS MAY HAVE BEEN BASED ON CONSTRUCTION DRAWINGS NOT PREPARED BY NEWMAT USA LTD. THEREFORE MAY NOT REPRESENT THE CONDITIONS AS CONSTRUCTED AT THAT TIME.</p>				<p>81 MAHAN STREET, WEST BABYLON, NY 11704 TEL: (631) 261 1498 FAX: (631) 261 1756</p>		<p>Scale: AS NOTED</p>	<p>Drawn By: R.K. Checked By:</p>
#	REVISIONS:	DATE	Drawn By	Checked By	Drawing Title:	Job Number:	Date:
A					DETAILS	13-000	3/23/2016
B					Customer Name:		
C					MxM LEHMAN WING		
D					METROPOLITAN MUSEUM OF ART		
E					1000 FIFTH AVE NEW YORK, NY 11028		
<p>NEWMAT NORTHEAST CORP.</p>						<p>Drawing Number: A-07</p>	

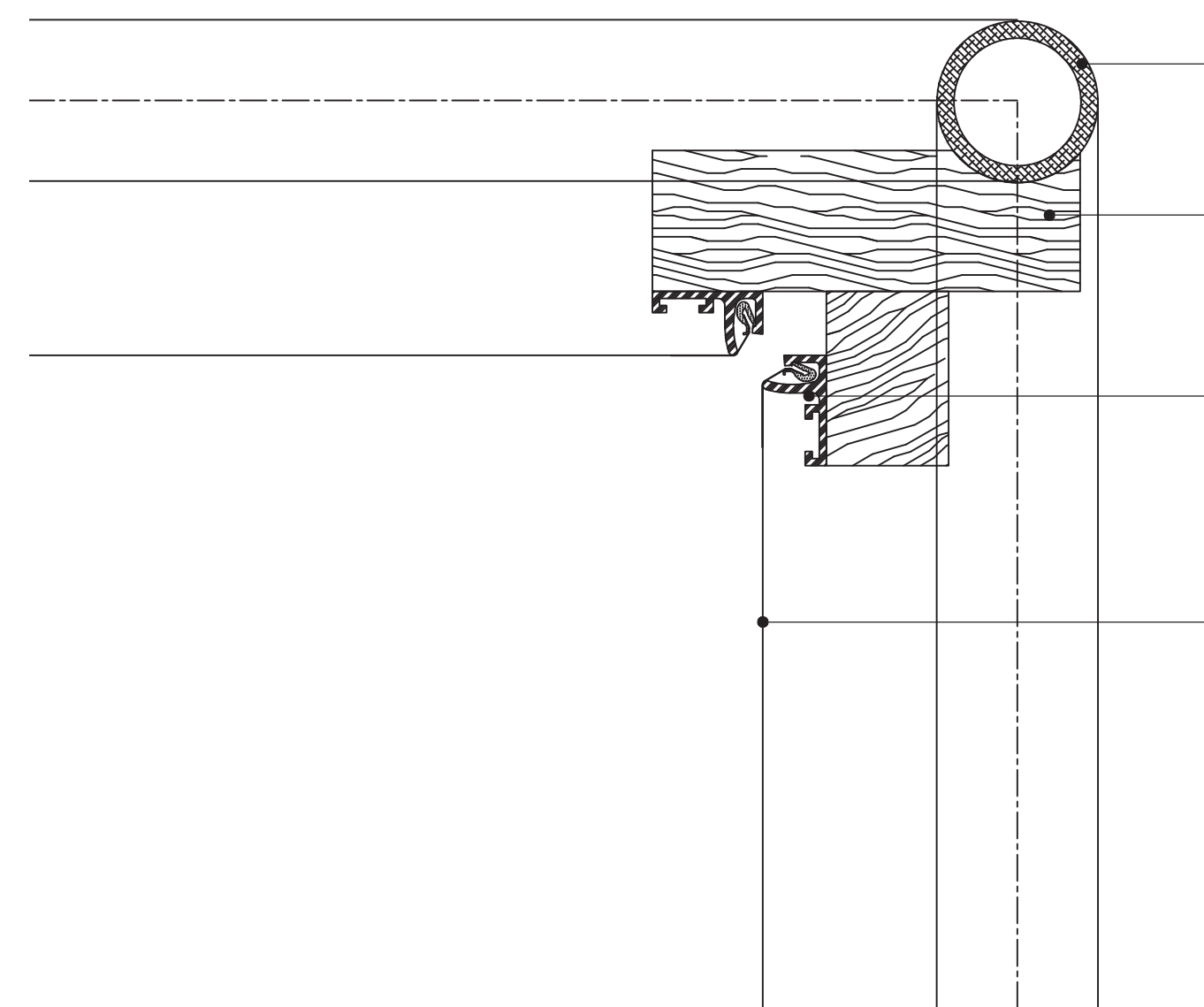


MECH. PLENUM SUPPORTED FROM PLATFORM (BY OTHERS)

NEWMAT CEILING GHOST PVC

WOOD BLOCKING (BY OTHERS)

1 CEILING @ INNER WALL
SCALE: 6" = 1'-0"



2" ALUMINUM TUBE (BY OTHERS)

WOOD BLOCKING (BY OTHERS)

NEWMAT CEILING GHOST PVC

NEWMAT EC190/ MAT EPAIS MEMBRANE
W/ CUSTOM PERFORATION

2 CEILING @ OUTER WALL
SCALE: 6" = 1'-0"

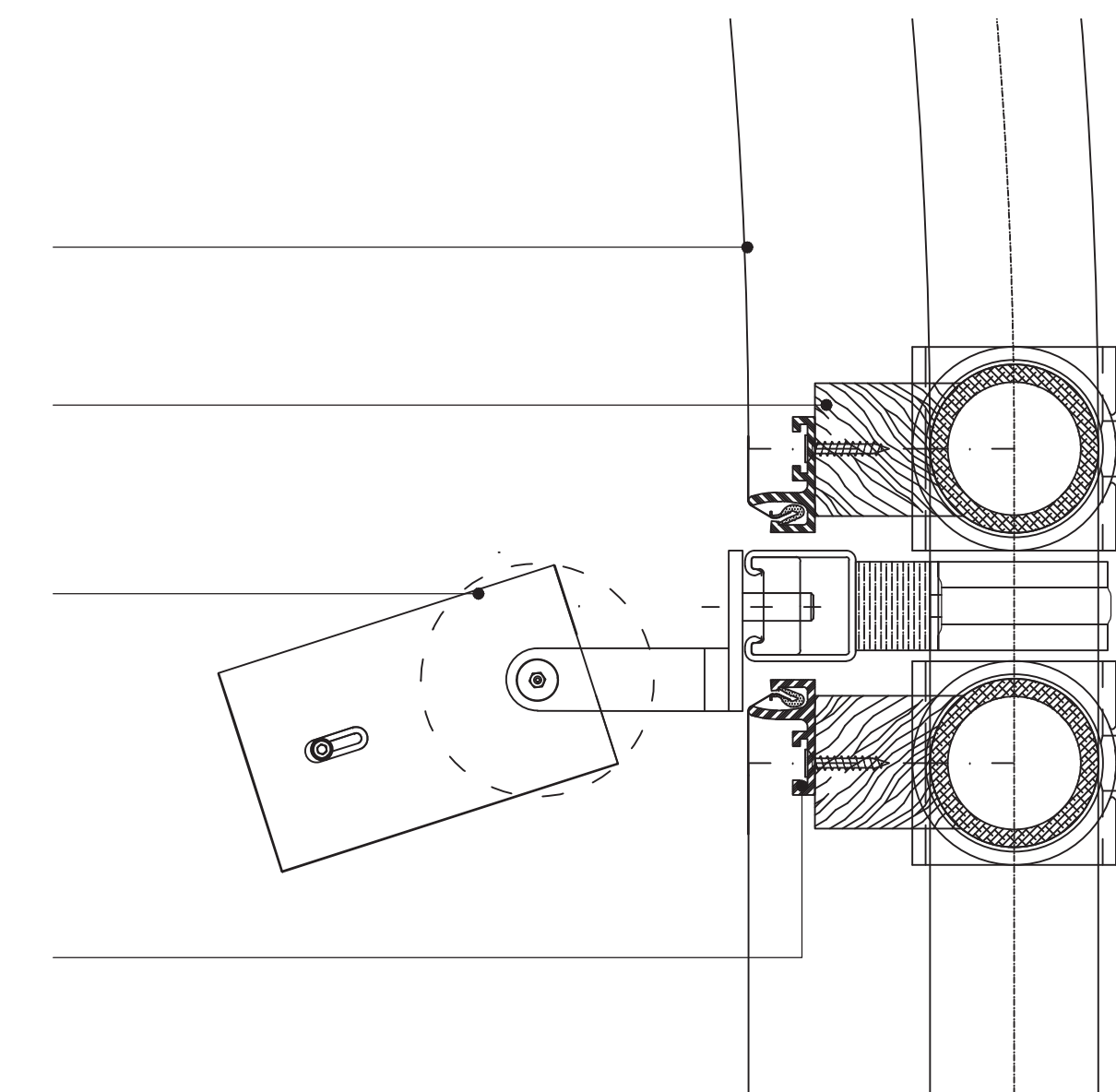
LIGHT FIXTURE (BY OTHERS)

NEWMAT EC190/ MAT EPAIS MEMBRANE
W/ CUSTOM PERFORATION

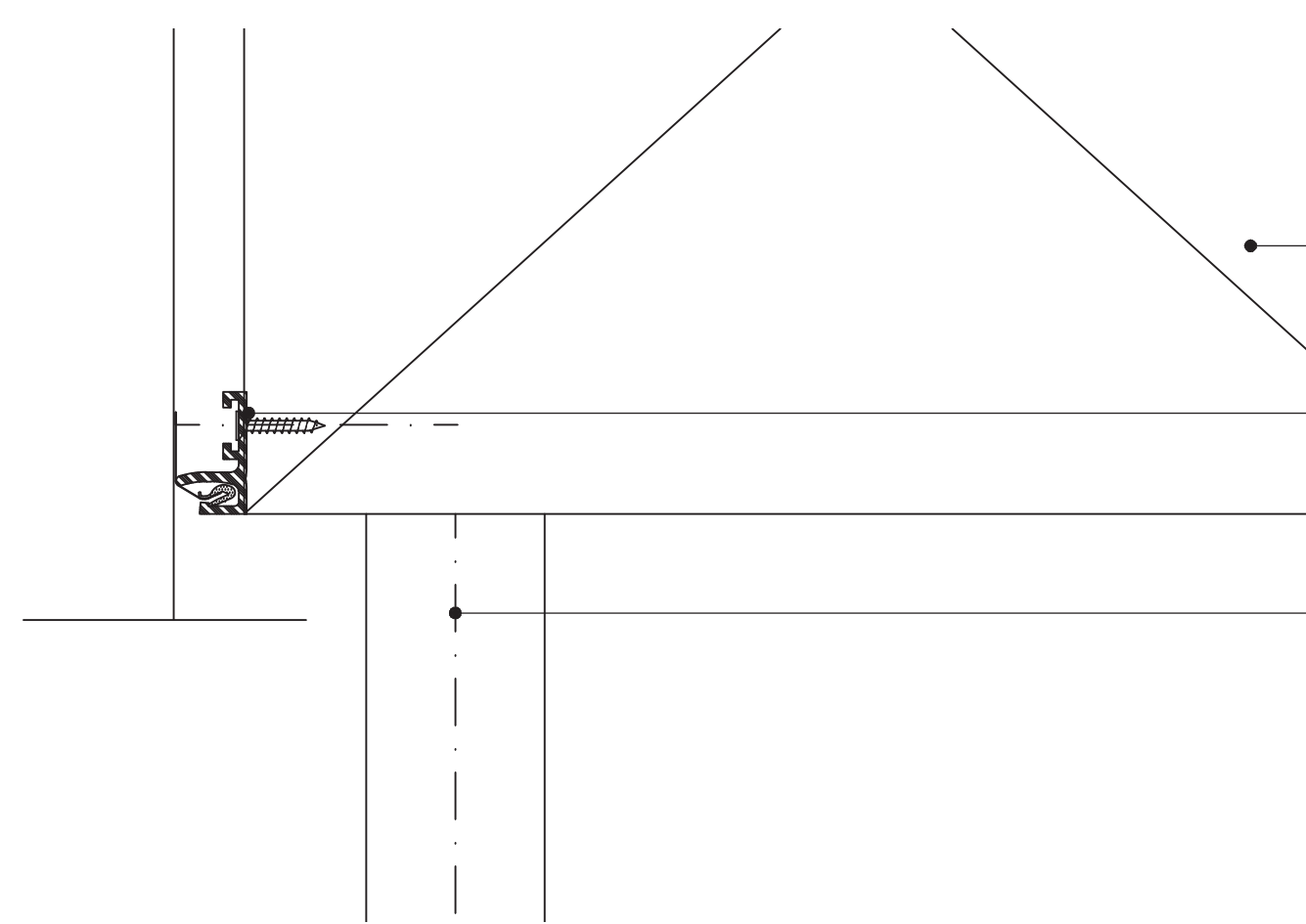
WOOD BLOCKING (BY OTHERS)

LIGHT FIXTURE (BY OTHERS)

NEWMAT CEILING GHOST PVC



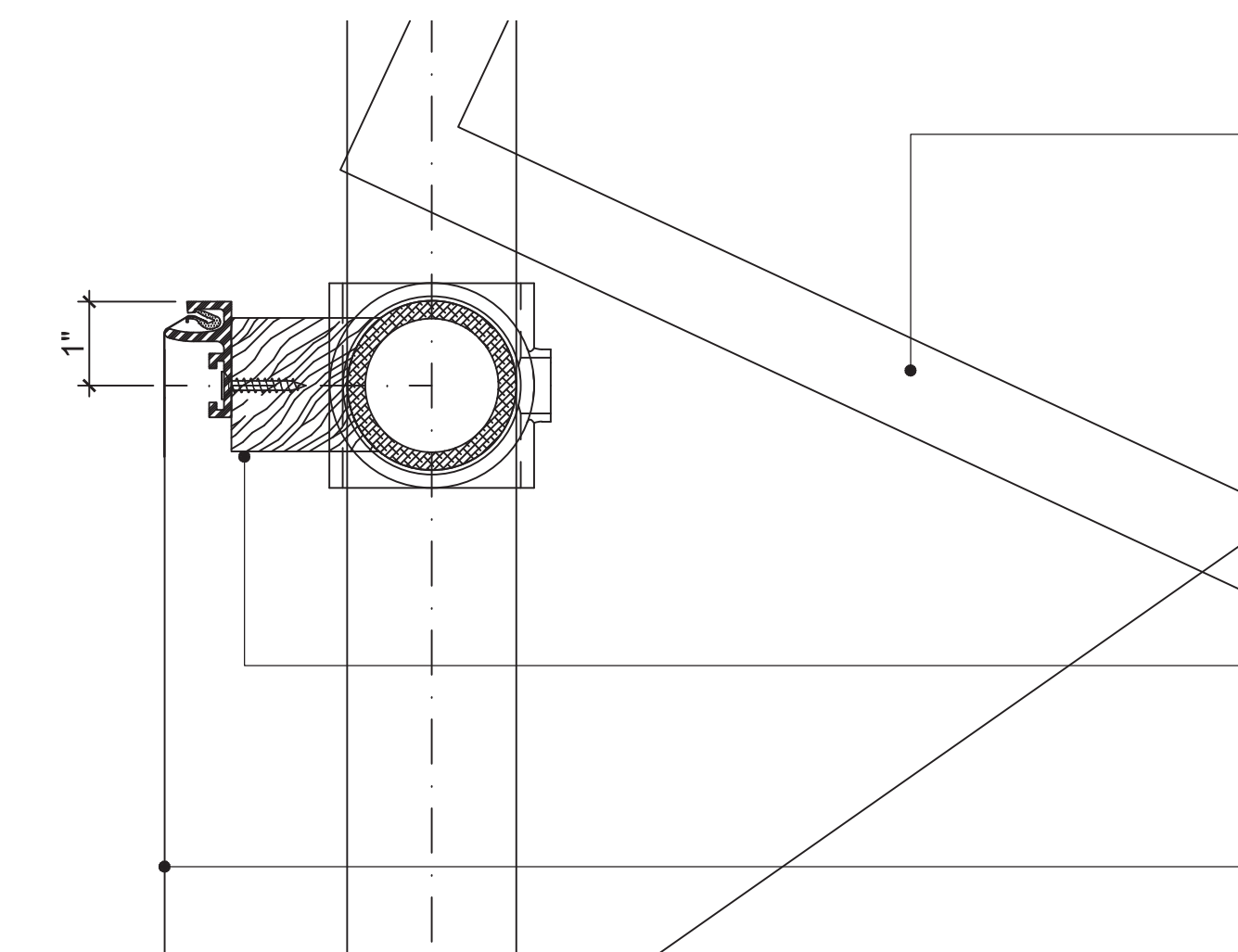
3 LIGHTING @ N/S PORTAL
SCALE: 6" = 1'-0"



PLYWOOD DOME (BY OTHERS)

NEWMAT CEILING GHOST PVC

PROJECTOR OPENING (BY OTHERS)



PROJECTOR (BY OTHERS)

WOOD BLOCKING (BY OTHERS)

NEWMAT EC190/ MAT EPAIS MEMBRANE
W/ CUSTOM PERFORATION

4 OPENING @ PROJECTORS
SCALE: 6" = 1'-0"

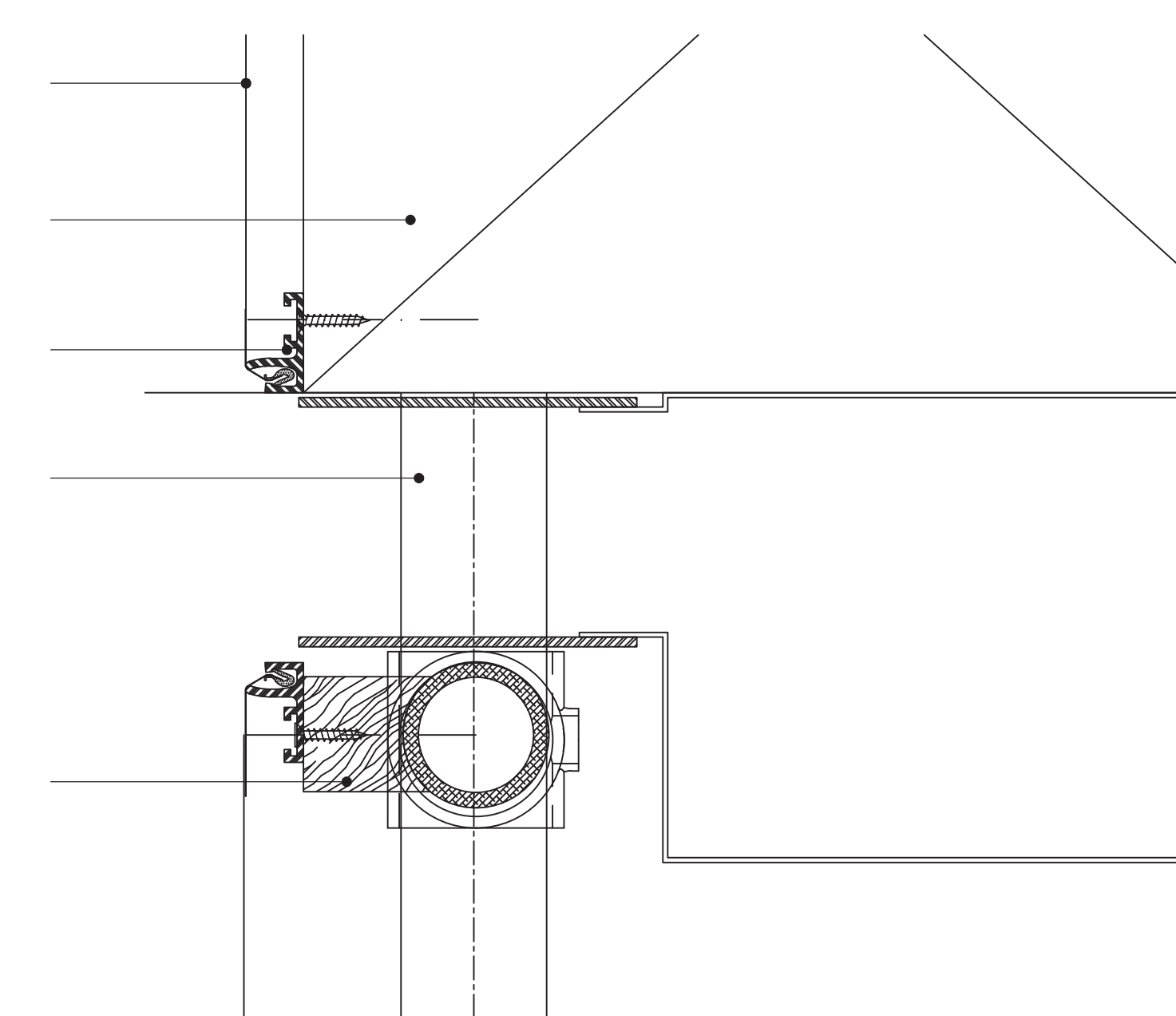
NEWMAT EC190/ MAT EPAIS MEMBRANE
W/ CUSTOM PERFORATION

PLYWOOD DOME (BY OTHERS)

NEWMAT CEILING GHOST PVC

3" SLOT FOR MECH. PLENUM (BY OTHERS)

WOOD BLOCKING (BY OTHERS)



5 SLOT @ BOTTOM OF DOME TRUSS
SCALE: 6" = 1'-0"

NOTES:
1) ALL DIMENSIONS AND LOCATIONS MUST BE V.I.F. PRIOR TO NEWMAT FABRICATION AND INSTALLATION.
2) ALL DRYWALL APPLICATIONS REQUIRE 12" CONTINUOUS 16GA (MINIMUM) METAL STRAPPING REINFORCEMENT BEHIND DRYWALL AT ALL NEWMAT ATTACHMENT LOCATIONS.
3) ALL "BLOCKING BY OTHERS" MUST BE CONTINUOUS, STRAIGHT, LEVEL AND/OR PLUMB AND ABLE TO WITHSTAND 30LBS. PER LINEAR FOOT OF LATERAL TENSION WHICH WILL BE EXERTED BY EACH LAYER OF MEMBRANE.

NOTICE:
THESE DRAWINGS WERE PRODUCED BY AND ARE THE SOLE PROPERTY OF NEWMAT USA LTD ANY AND ALL INFORMATION CONTAINED HEREIN SHALL NOT BE USED BY ANY OTHER PERSON OR COMPANY WITHOUT THE EXPRESSED WRITTEN CONSENT OF NEWMAT USA LTD. THE DRAWINGS MAY HAVE BEEN BASED ON CONSTRUCTION DRAWINGS NOT PREPARED BY NEWMAT USA LTD. THEREFORE MAY NOT REPRESENT THE CONDITIONS AS CONSTRUCTED AT THAT TIME.

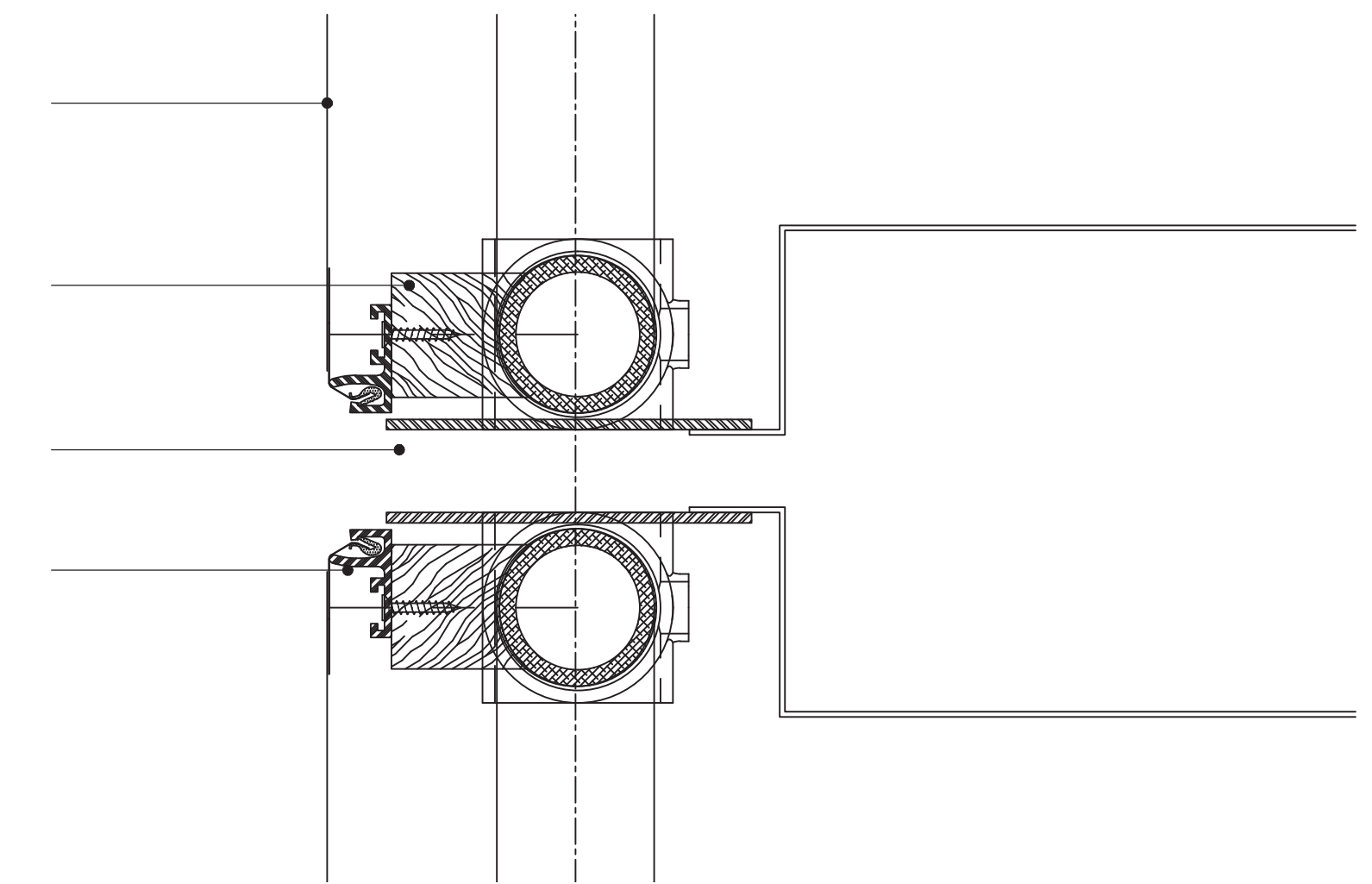
NEWMAT NORTHEAST CORP. STRETCH CEILING SYSTEMS	#	REVISIONS:	Drawn By	Checked By	81 MAHAN STREET, WEST BABYLON, NY 11704 TEL. (631) 261 1498 FAX (631) 261 1756	Scale:	Drawn By:
	A	DATE:			Drawing Title:	AS NOTED	R.K.
	B				Job Title:		Checked By:
	C				Customer Name:		Job Number:
	D				METROPOLITAN MUSEUM OF ART 1000 FIFTH AVE NEW YORK, NY 11028	13-000	Date:
E					A-08	3/23/2016	

NEWMAT EC190/ MAT EPAIS MEMBRANE
W/ CUSTOM PERFORATION

WOOD BLOCKING (BY OTHERS)

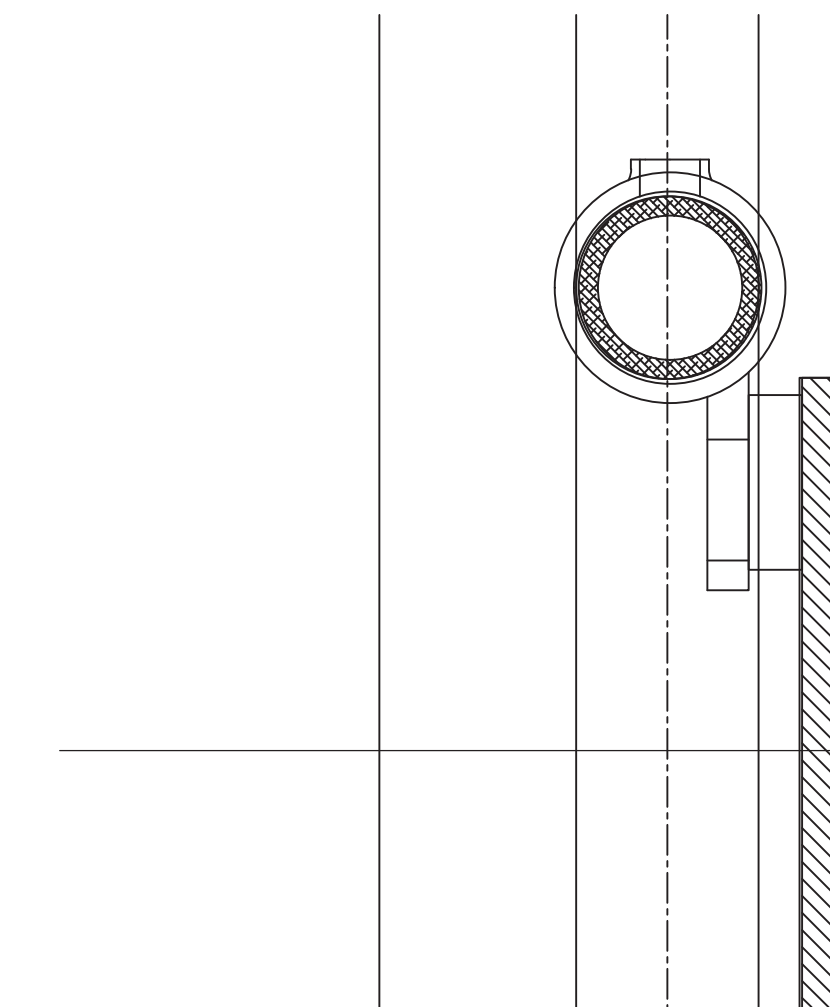
1" SLOT FOR MECH. PLENUM (BY OTHERS)

NEWMAT CEILING GHOST PVC



1 SLOT @ LOWER PLENUM
SCALE: 6" = 1'-0"

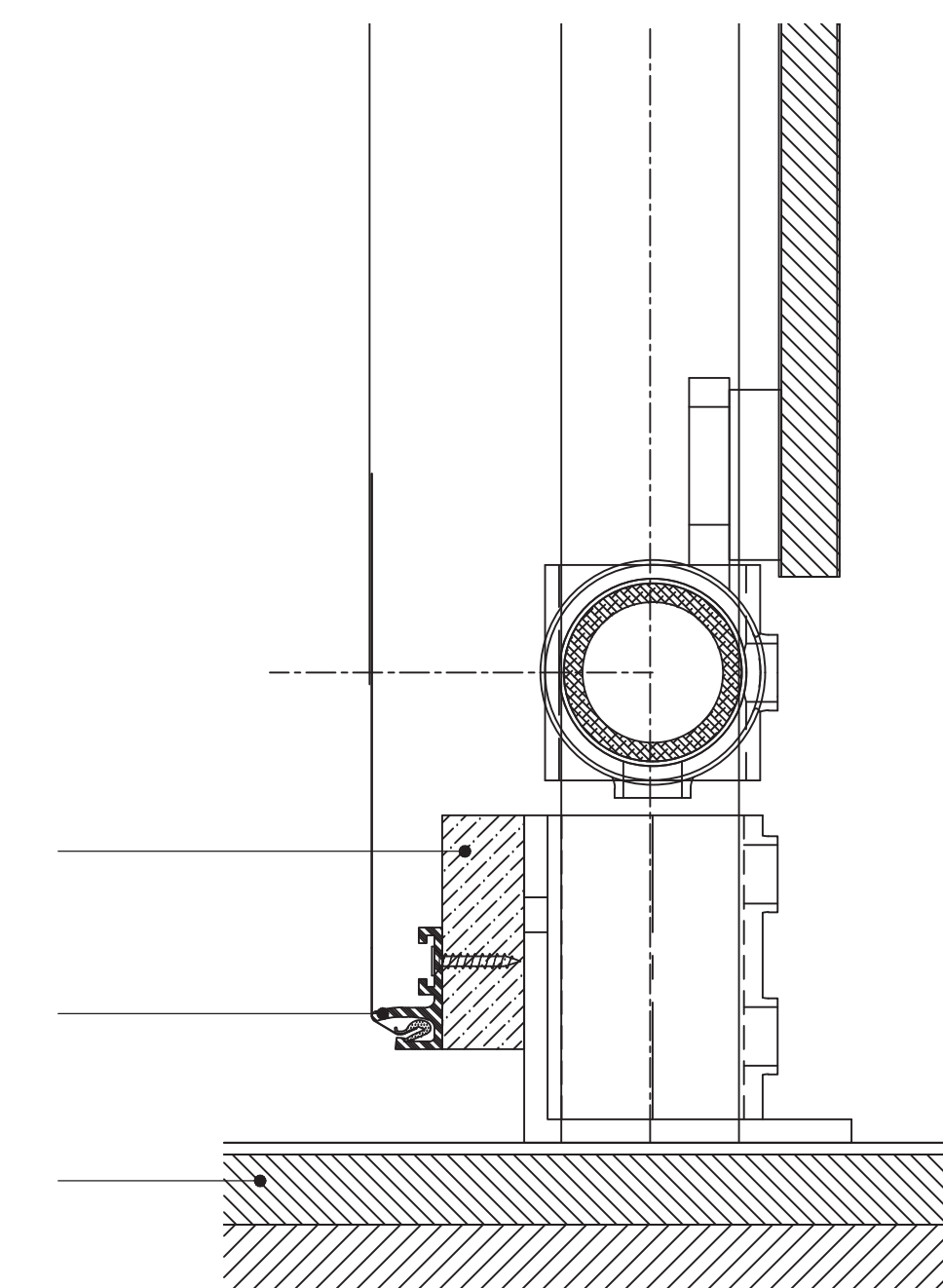
PLYWOOD SAFETY BARRIER TO 42" A.F.F.;
PAINT MATTE BLACK (BY OTHERS)



WOOD BLOCKING (BY OTHERS)

NEWMAT CEILING GHOST PVC

NEW FLOORING (BY OTHERS)



2 FOOT @ COCOON
SCALE: 6" = 1'-0"

NOTES:

- 1) ALL DIMENSIONS AND LOCATIONS MUST BE V.I.F. PRIOR TO NEWMAT FABRICATION AND INSTALLATION.
- 2) ALL DRYWALL APPLICATIONS REQUIRE 12" CONTINUOUS 16GA (MINIMUM) METAL STRAPPING REINFORCEMENT BEHIND DRYWALL AT ALL NEWMAT ATTACHMENT LOCATIONS.
- 3) ALL "BLOCKING BY OTHERS" MUST BE CONTINUOUS, STRAIGHT, LEVEL AND/OR PLUMB AND ABLE TO WITHSTAND 30LBS. PER LINEAR FOOT OF LATERAL TENSION WHICH WILL BE EXERTED BY EACH LAYER OF MEMBRANE.

NOTICE: THESE DRAWINGS WERE PRODUCED BY AND ARE THE SOLE PROPERTY OF NEWMAT USA LTD ANY AND ALL INFORMATION CONTAINED HEREIN SHALL NOT BE USED BY ANY OTHER PERSON OR COMPANY WITHOUT THE EXPRESSED WRITTEN CONSENT OF NEWMAT USA LTD. THE DRAWINGS MAY HAVE BEEN BASED ON CONSTRUCTION DRAWINGS NOT PREPARED BY NEWMAT USA LTD. THEREFORE MAY NOT REPRESENT THE CONDITIONS AS CONSTRUCTED AT THAT TIME.				NEWMAT NORTHEAST CORP. newmat® STRETCH CEILING SYSTEMS		# REVISIONS: DATE Drawn By Checked By A B C D E		81 MAHAN STREET, WEST BABYLON, NY 11704 TEL. (631) 261 1498 FAX (631) 261 1756 Drawing Title: DETAILS Job Title: MxM LEHMAN WING Customer Name: METROPOLITAN MUSEUM OF ART 1000 FIFTH AVE NEW YORK, NY 11028		Scale: AS NOTED Job Number: 13-000 Drawing Number: A-09	Drawn By: R.K. Checked By: Date: 3/23/2016
--	--	--	--	--	--	--	--	--	--	---	--