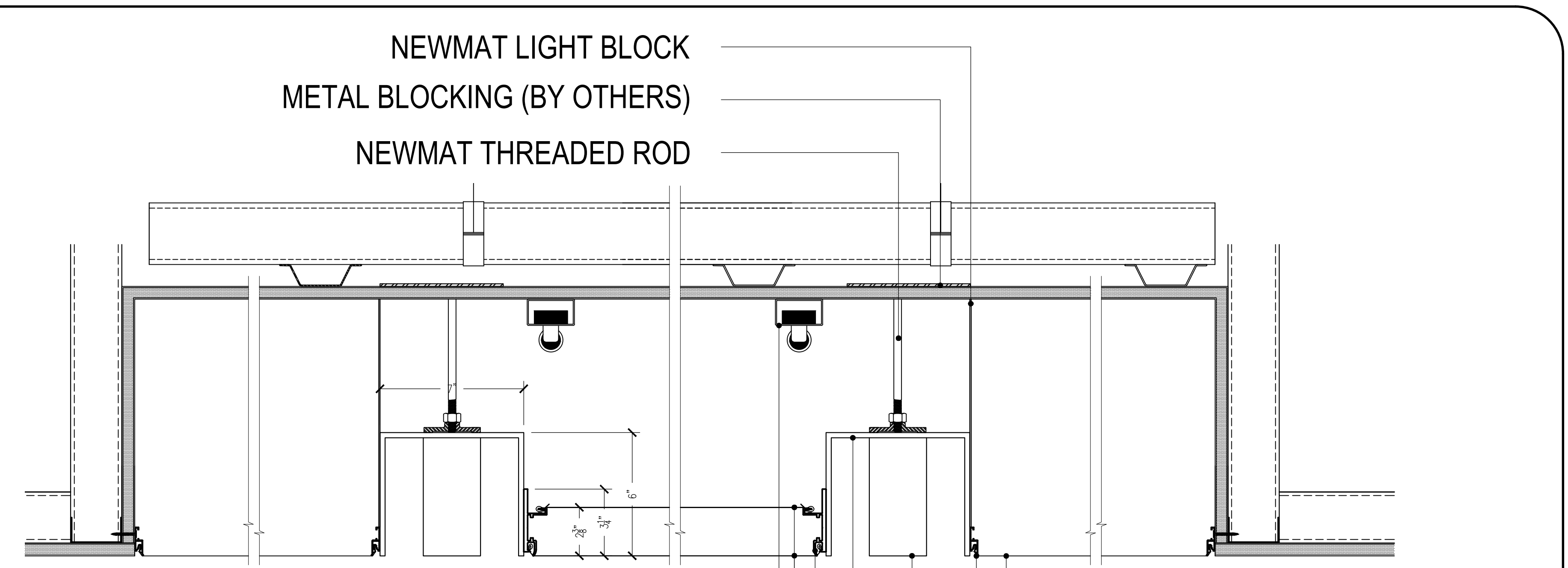


1 PARTIAL RCP @ 15TH FLOOR
SCALE: NTS

NOTES:
 1) ALL DIMENSIONS AND LOCATIONS MUST BE V.I.F. PRIOR TO NEWMAT FABRICATION AND INSTALLATION.
 2) ALL DRYWALL APPLICATIONS REQUIRE 12" CONTINUOUS 16GA (MINIMUM) METAL STRAPPING REINFORCEMENT BEHIND DRYWALL AT ALL NEWMAT ATTACHMENT LOCATIONS.
 3) ALL "BLOCKING BY OTHERS" MUST BE CONTINUOUS, STRAIGHT, LEVEL AND/OR PLUMB AND ABLE TO WITHSTAND 30LBS. PER LINEAR FOOT OF LATERAL TENSION WHICH WILL BE EXERTED BY EACH LAYER OF MEMBRANE.

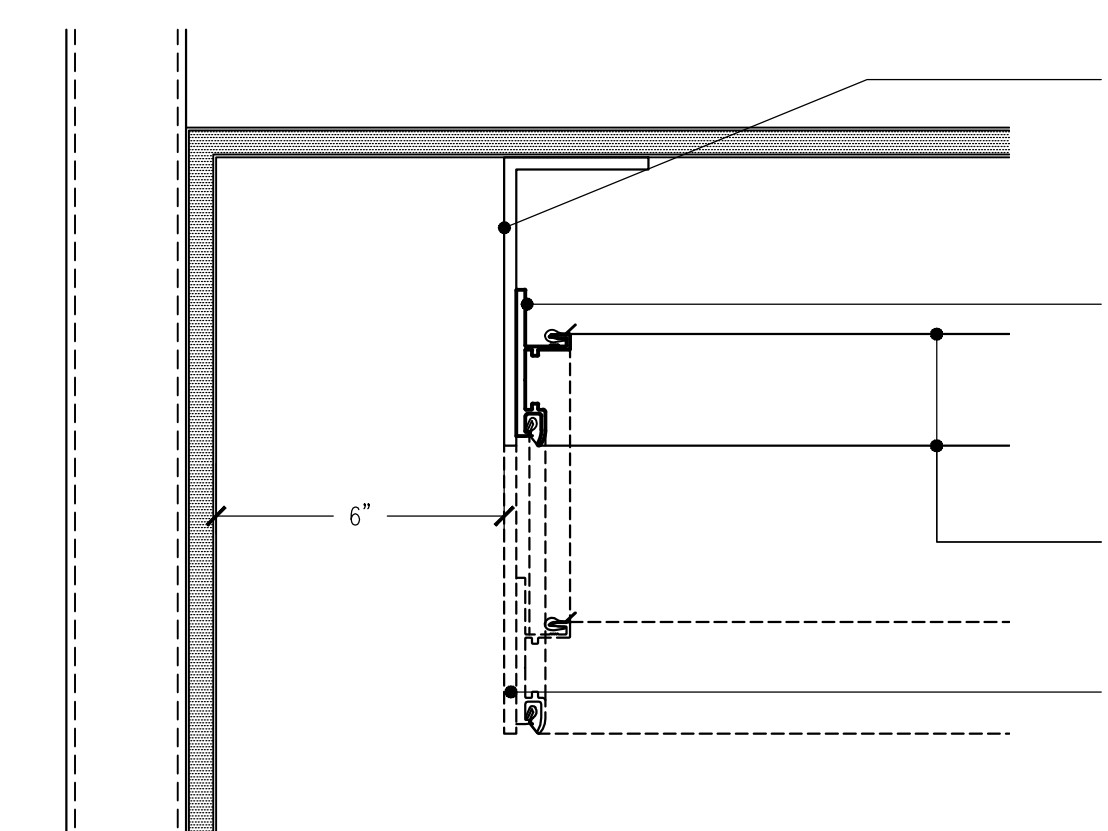
TYP. FACTORY SEAMS
 IN MEMBRANE @ 84" O.C.
 NOTE: ALL ALUMINUM POWDERCOATED WHITE MATTE 049/11350



2 CEILING SECTION
SCALE: 3" = 1'-0"

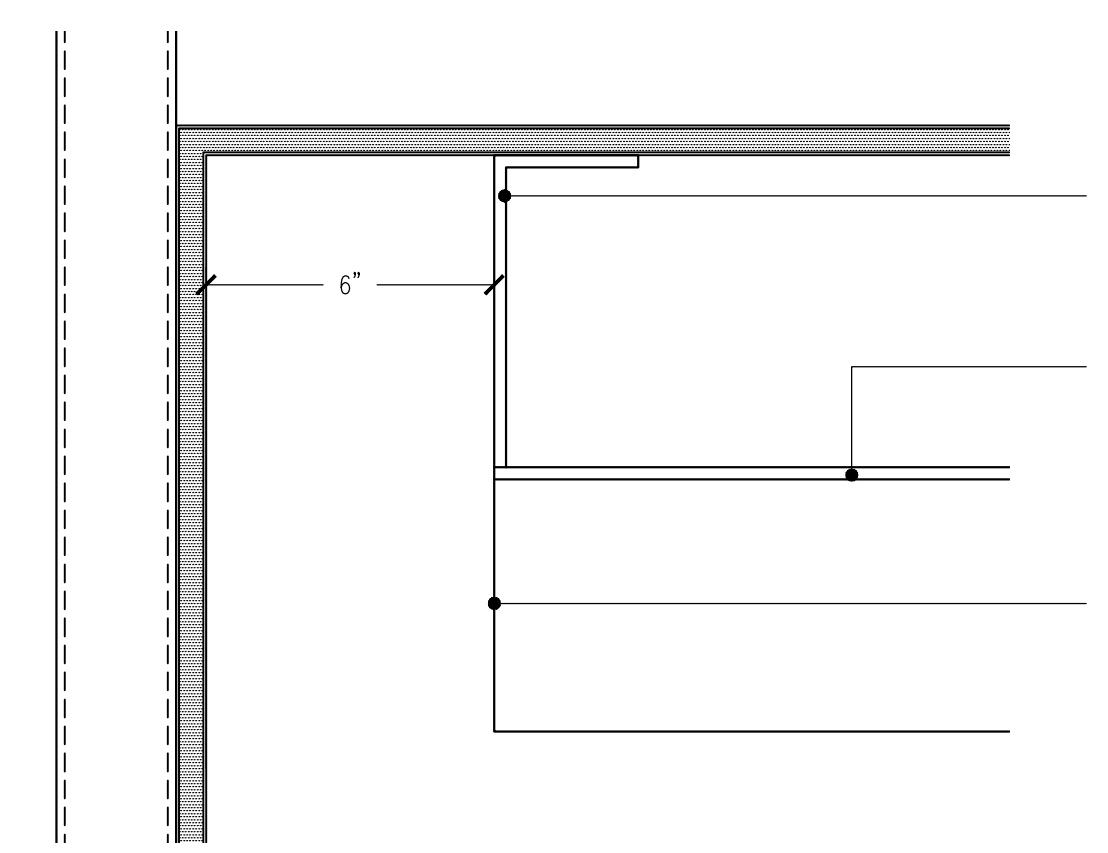
LIGHT FIXTURE (BY OTHERS)
 NEWMATTOB/BLANC/W132" TRANSLUCENT MEMBRANES
 NEWMAT 2LS ALUMINUM
 NEWMAT ALUMINUM CHANNEL PAINTED BLACK

NEWMAT L101/BLANC LACQUER MEMBRANE
 NEWMAT WALL GHOST ALUMINUM
 F18 LIGHT FIXTURE (BY OTHERS)



3 CEILING SECTION
SCALE: 3" = 1'-0"

NEWMAT ALUMINUM FASCIA CUT AROUND TROUGH POWDERCOATED WHITE MATTE
 NEWMAT 2LS ALUMINUM
 NEWMATTOB/BLANC/W132" TRANSLUCENT MEMBRANES
 NEWMAT ALUMINUM FASCIA BEYOND (HEIGHT VARIES)

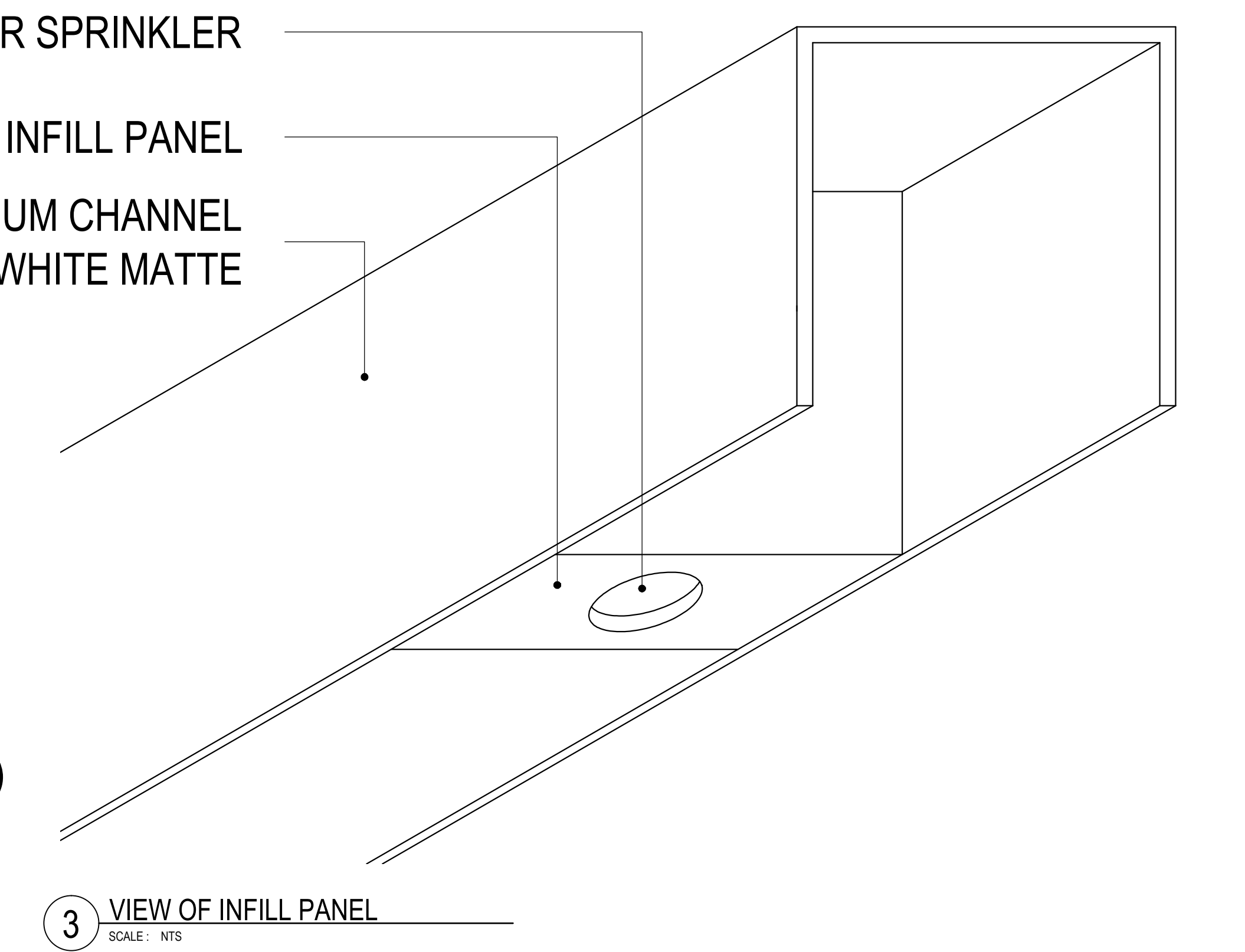
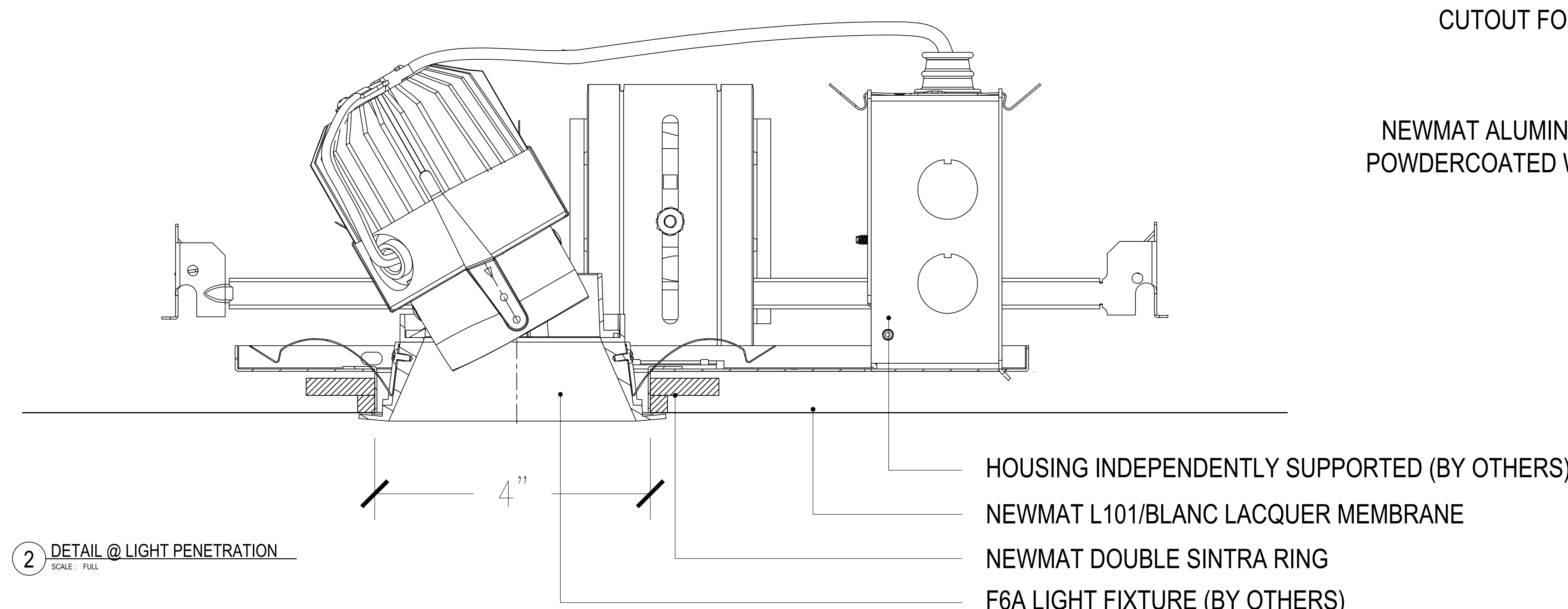
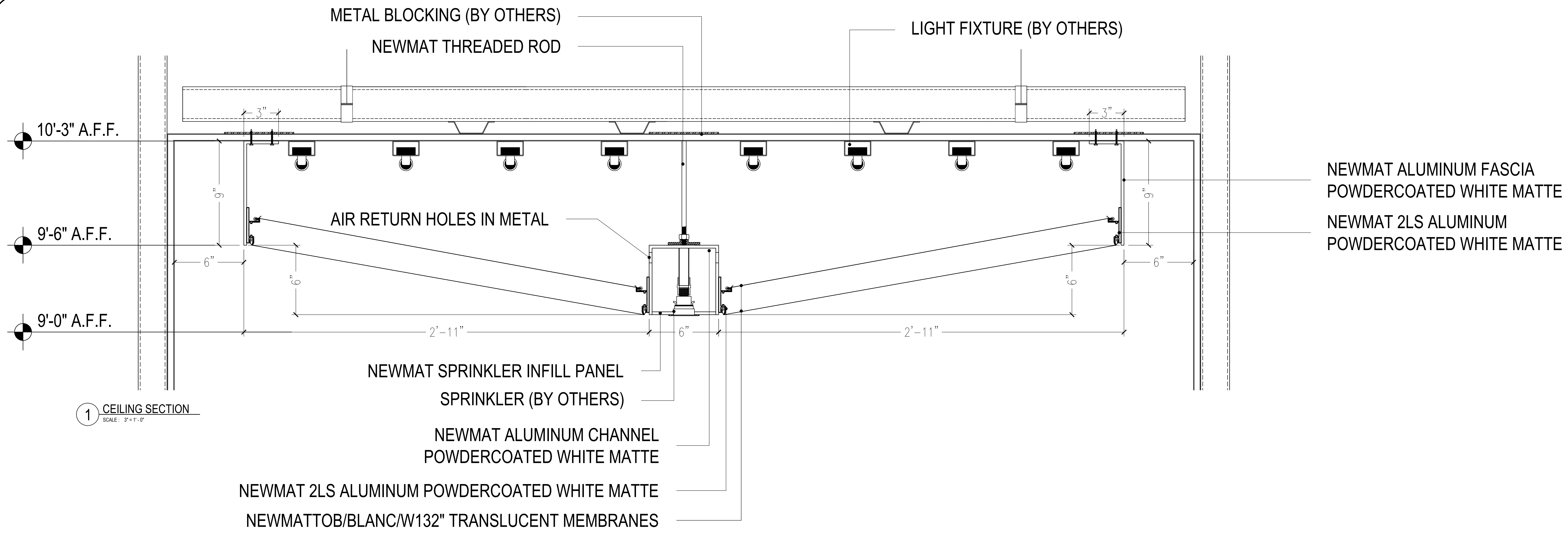


4 CEILING SECTION
SCALE: 3" = 1'-0"

NEWMAT ALUMINUM FASCIA CUT AROUND TROUGH POWDERCOATED WHITE MATTE
 NEWMAT ALUMINUM TROUGH
 NEWMAT ALUMINUM TROUGH OPEN AT ENDS


NOTICE: THESE DRAWINGS WERE PRODUCED BY AND ARE THE SOLE PROPERTY OF NEWMAT USA LTD ANY AND ALL INFORMATION CONTAINED HEREIN SHALL NOT BE USED BY ANY OTHER PERSON OR COMPANY WITHOUT THE EXPRESSED WRITTEN CONSENT OF NEWMAT USA LTD. THE DRAWINGS MAY HAVE BEEN BASED ON CONSTRUCTION DRAWINGS NOT PREPARED BY NEWMAT USA LTD. THEREFORE MAY NOT REPRESENT THE CONDITIONS AS CONSTRUCTED AT THAT TIME.				# REVISIONS: DATE Drawn By Checked By A 5/18/2015 R.K. B 6/4/2015 R.K. C 6/25/2015 R.K. D 7/8/2015 R.K. E		81 MAHAN STREET, WEST BABYLON, NY 11704 TEL: (631) 261 1498 FAX: (631) 261 1756 Drawing Title: PARTIAL RCP & DETAILS Job Title: CADILLAC Customer Name: CADILLAC 330 HUDSON ST NEW YORK, NY 10013		Scale: AS NOTED Job Number: 13-000 Drawing Number: A-01	Drawn By: R.K. Checked By: Date: 4/27/2015
--	--	--	--	---	--	--	--	--	--

NEWMAT
NORTHEAST CORP.
newmat
 STRETCH CEILING SYSTEMS



NOTES:

- 1) ALL DIMENSIONS AND LOCATIONS MUST BE V.I.F. PRIOR TO NEWMAT FABRICATION AND INSTALLATION.
- 2) ALL DRYWALL APPLICATIONS REQUIRE 12" CONTINUOUS 16GA (MINIMUM) METAL STRAPPING REINFORCEMENT BEHIND DRYWALL AT ALL NEWMAT ATTACHMENT LOCATIONS.
- 3) ALL "BLOCKING BY OTHERS", MUST BE CONTINUOUS, STRAIGHT, LEVEL AND/OR PLUMB AND ABLE TO WITHSTAND 30LBS. PER LINEAR FOOT OF LATERAL TENSION WHICH WILL BE EXERTED BY EACH LAYER OF MEMBRANE.

NOTICE: THESE DRAWINGS WERE PRODUCED BY AND ARE THE SOLE PROPERTY OF NEWMAT USA LTD ANY AND ALL INFORMATION CONTAINED HEREIN SHALL NOT BE USED BY ANY OTHER PERSON OR COMPANY WITHOUT THE EXPRESSED WRITTEN CONSENT OF NEWMAT USA LTD. THE DRAWINGS MAY HAVE BEEN BASED ON CONSTRUCTION DRAWINGS NOT PREPARED BY NEWMAT USA LTD. THEREFORE MAY NOT REPRESENT THE CONDITIONS AS CONSTRUCTED AT THAT TIME.				81 MAHAN STREET, WEST BABYLON, NY 11704 TEL: (631) 261 1498 FAX: (631) 261 1756		Scale: AS NOTED	Drawn By: R.K.
NEWMAT NORTHEAST CORP.  STRETCH CEILING SYSTEMS	#	REVISIONS:	Drawn	Checked	Drawing Title: DETAILS Customer Name: CADILLAC 330 HUDSON ST NEW YORK, NY 10013	Job Number: 13-000	Date: 4/27/2015
	A	5/18/2015	R.K.				
	B	6/4/2015	R.K.				
	C	6/25/2015	R.K.				
	D	7/8/2015	R.K.				
E					Drawing Number: A-02		