

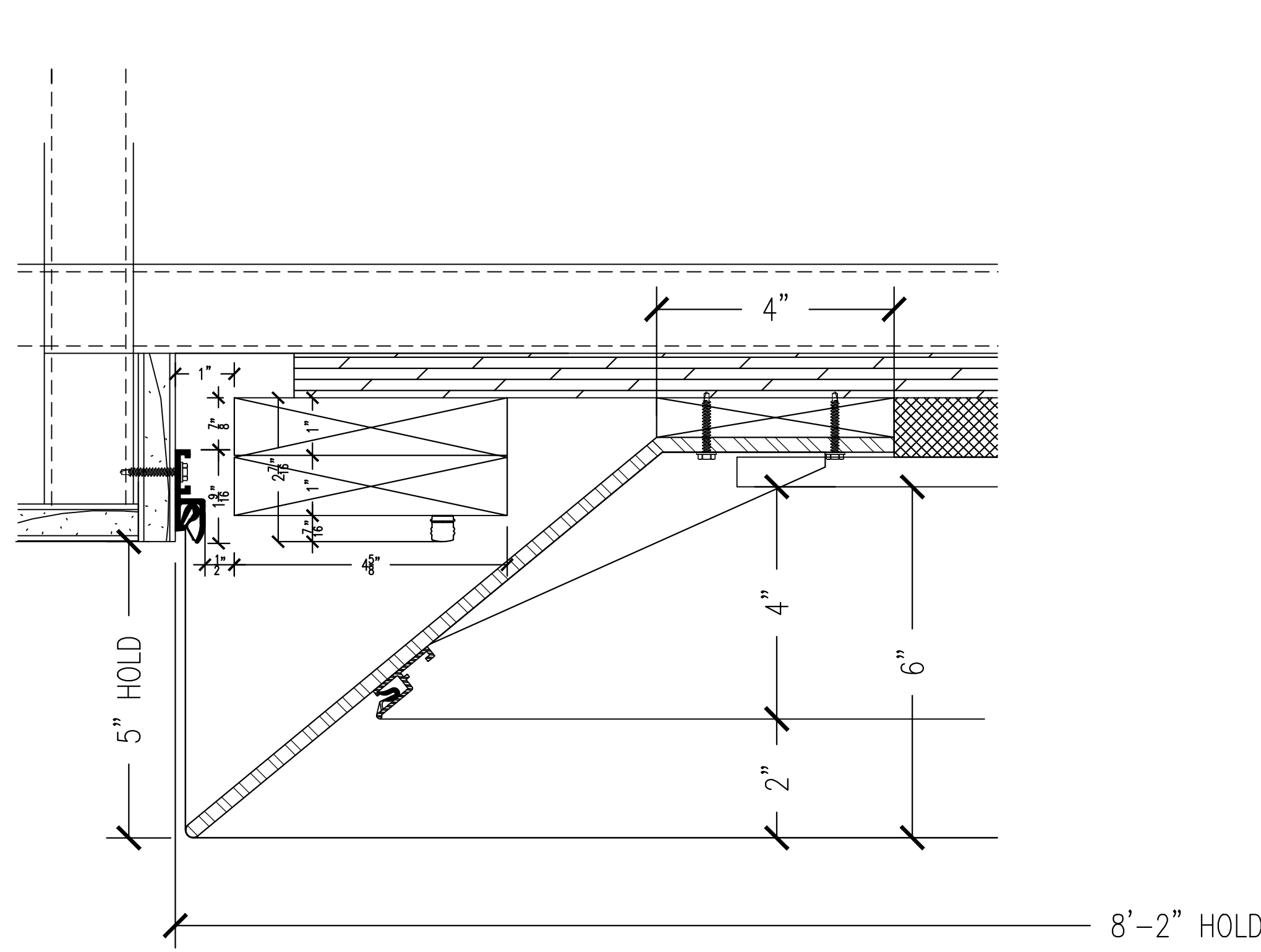
1 PARTIAL RCP @ 5TH FLOOR CONFERENCE ROOM S0566
SCALE: 1" = 1'-0"

- NOTES:**
- 1) ALL DIMENSIONS AND LOCATIONS MUST BE V.I.F. PRIOR TO NEWMAT FABRICATION AND INSTALLATION.
 - 2) ALL DRYWALL APPLICATIONS REQUIRE 12" CONTINUOUS 16GA (MINIMUM) METAL STRAPPING REINFORCEMENT BEHIND DRYWALL AT ALL NEWMAT ATTACHMENT LOCATIONS.
 - 3) ALL "BLOCKING BY OTHERS", MUST BE CONTINUOUS, STRAIGHT, LEVEL AND/OR PLUMB AND ABLE TO WITHSTAND 30LBS. PER LINEAR FOOT OF LATERAL TENSION WHICH WILL BE EXERTED BY EACH LAYER OF MEMBRANE.

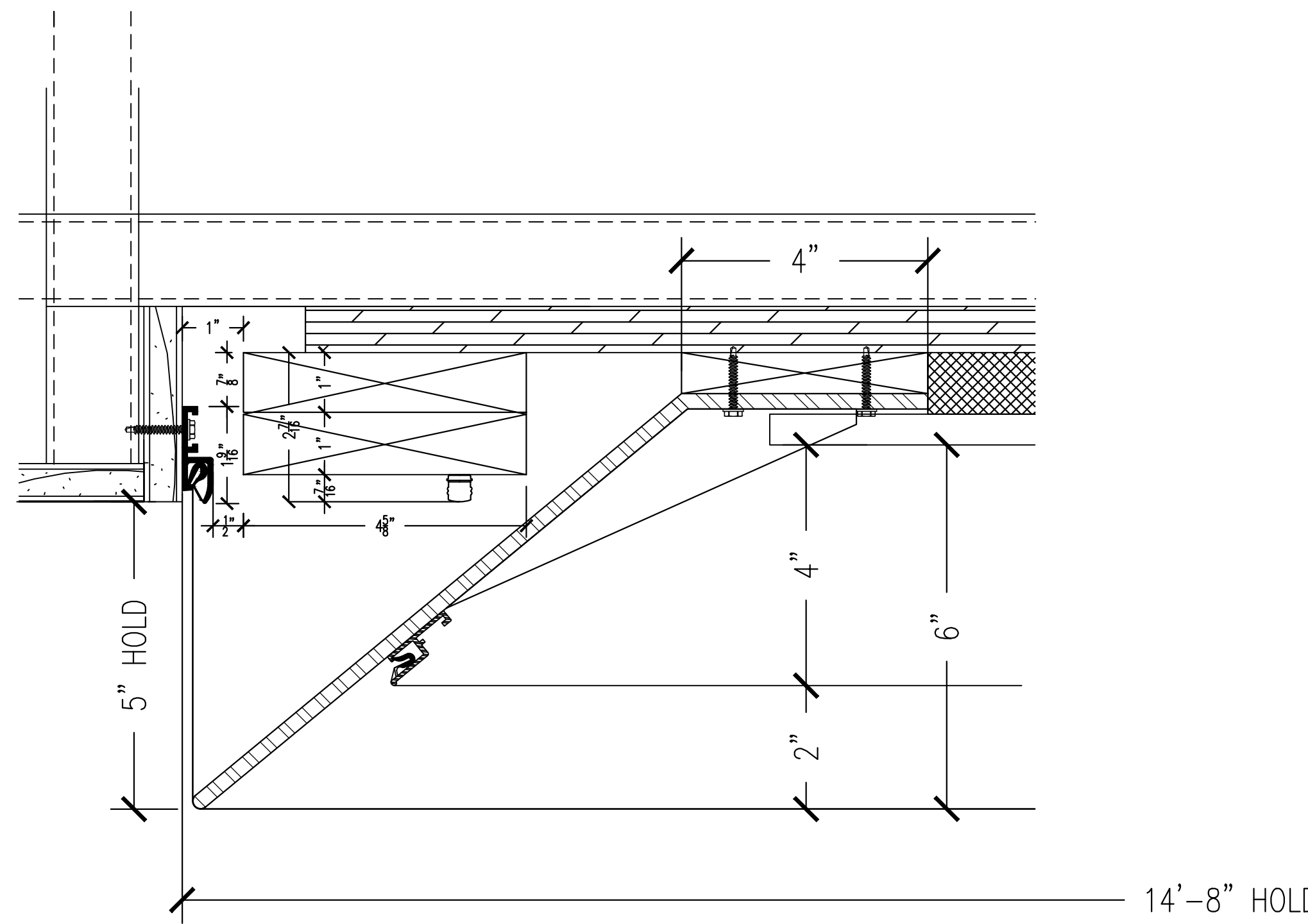
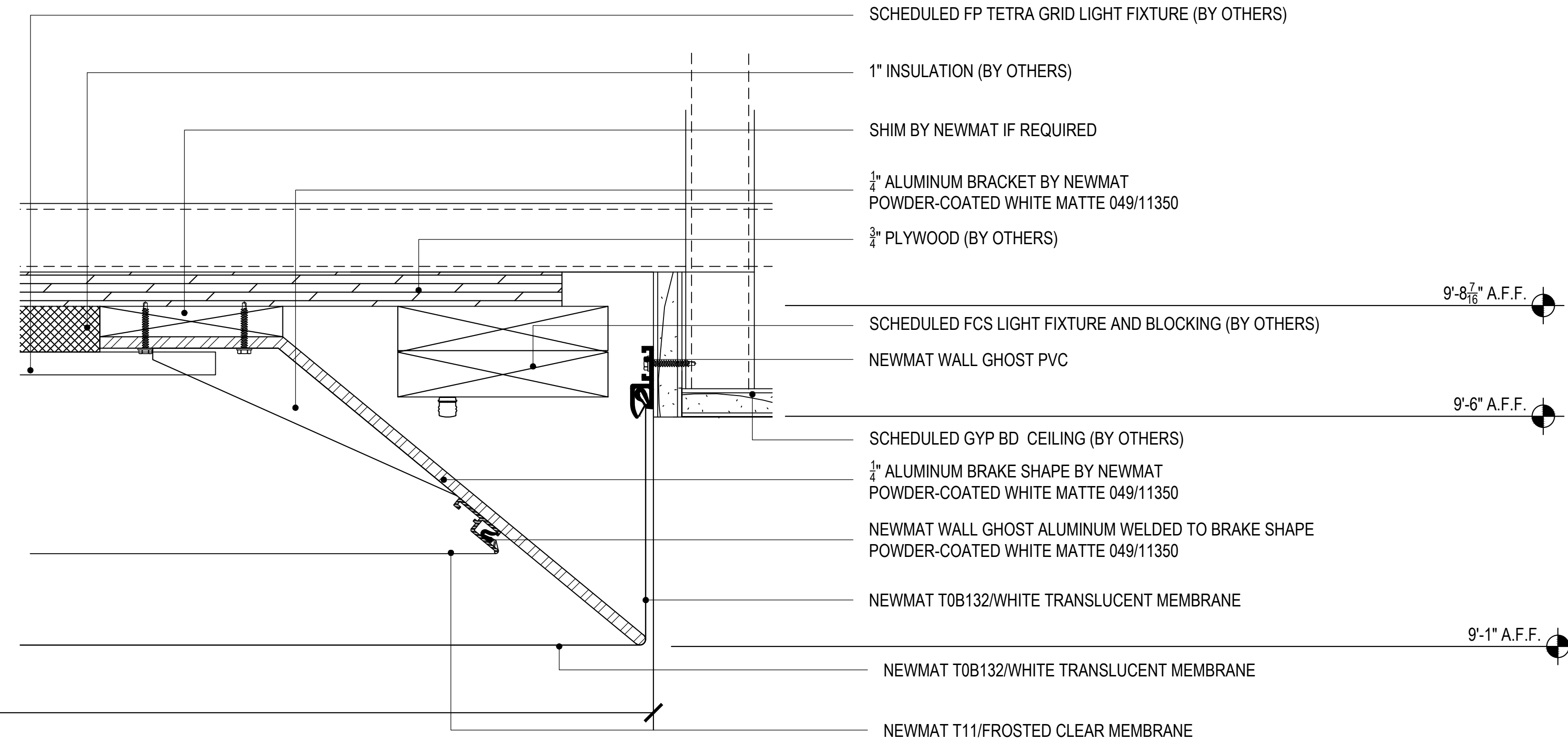
AS BUILT
6/4/2015

NOTICE:
THESE DRAWINGS WERE PRODUCED BY AND ARE THE SOLE PROPERTY OF NEWMAT USA LTD ANY AND ALL INFORMATION CONTAINED HEREIN SHALL NOT BE USED BY ANY OTHER PERSON OR COMPANY WITHOUT THE EXPRESSED WRITTEN CONSENT OF NEWMAT USA LTD. THE DRAWINGS MAY HAVE BEEN BASED ON CONSTRUCTION DRAWINGS NOT PREPARED BY NEWMAT USA LTD. THEREFORE MAY NOT REPRESENT THE CONDITIONS AS CONSTRUCTED AT THAT TIME.

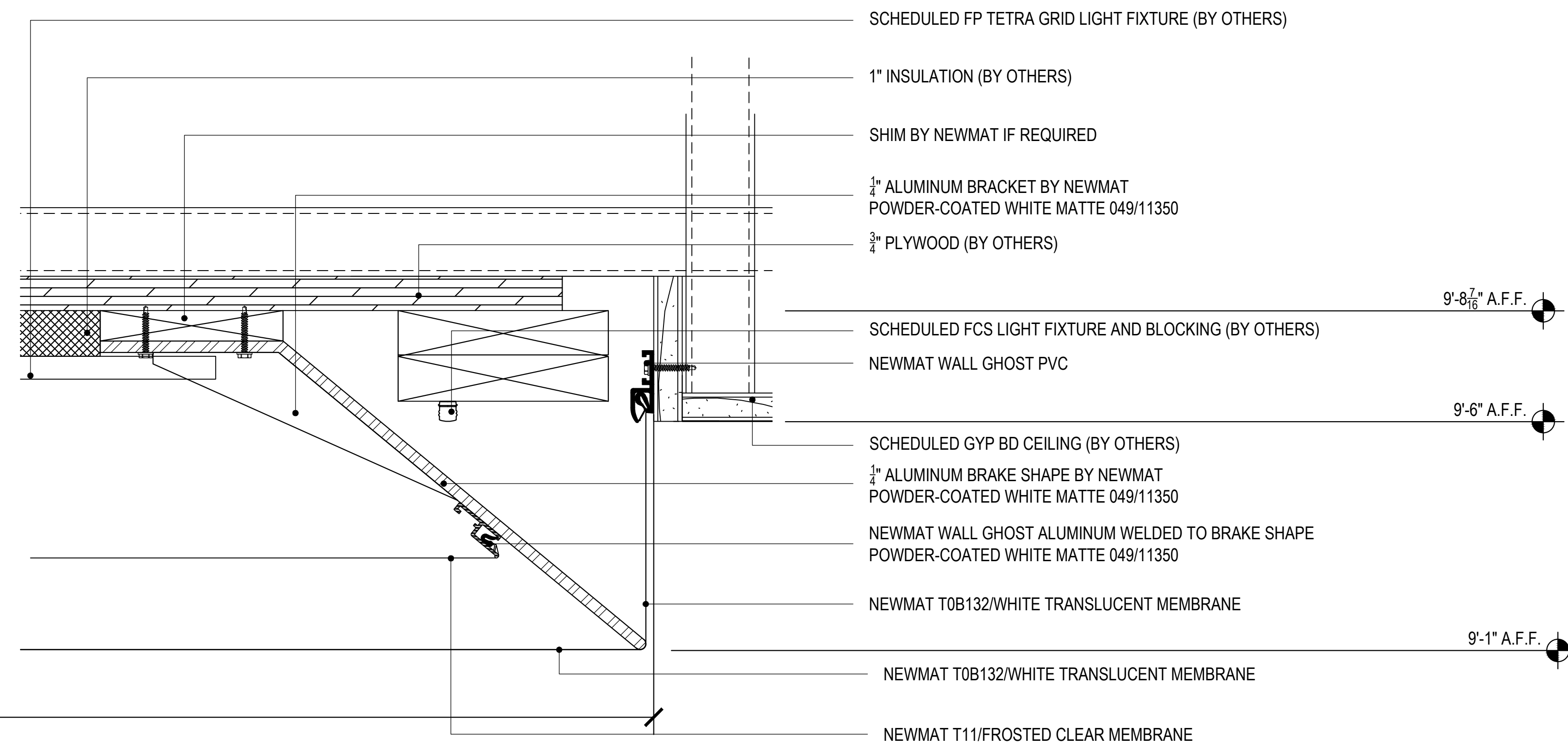
NEWMAT NORTHEAST CORP. STRETCH CEILING SYSTEMS	#	REVISIONS:	Drawn By:	Checked By:	81 MAHAN STREET, WEST BABYLON, NY 11704 TEL. (631) 261 1498 FAX (631) 261 1756	Scale:	Drawn By:
	A	3/27/2015	R.K.		Drawing Title: PARTIAL RCP	AS NOTED	R.K.
	B				Job Title: COVINGTON & BURLING		Checked By:
	C				Customer Name: COVINGTON & BURLING	Job Number: 13-000	Date: 3/2/2015
	D				800-850 10TH ST NW WASHINGTON, DC 20001	Drawing Number: A-01	
E							



1 CEILING SECTION @ CONFERENCE ROOM S0566
SCALE: 6" = 1' - 0"



2 CEILING SECTION @ CONFERENCE ROOM S0566
SCALE: 6" = 1' - 0"



NOTES:
 1) ALL DIMENSIONS AND LOCATIONS MUST BE V.I.F. PRIOR TO NEWMAT FABRICATION AND INSTALLATION.
 2) ALL DRYWALL APPLICATIONS REQUIRE 12" CONTINUOUS 16GA (MINIMUM) METAL STRAPPING REINFORCEMENT BEHIND DRYWALL AT ALL NEWMAT ATTACHMENT LOCATIONS.
 3) ALL "BLOCKING BY OTHERS" MUST BE CONTINUOUS, STRAIGHT, LEVEL AND/OR PLUMB AND ABLE TO WITHSTAND 30LBS. PER LINEAR FOOT OF LATERAL TENSION WHICH WILL BE EXERTED BY EACH LAYER OF MEMBRANE.

AS BUILT
6/4/2015

NOTICE:
 THESE DRAWINGS WERE PRODUCED BY AND ARE THE SOLE PROPERTY OF NEWMAT USA LTD ANY AND ALL INFORMATION CONTAINED HEREIN SHALL NOT BE USED BY ANY OTHER PERSON OR COMPANY WITHOUT THE EXPRESSED WRITTEN CONSENT OF NEWMAT USA LTD. THE DRAWINGS MAY HAVE BEEN BASED ON CONSTRUCTION DRAWINGS NOT PREPARED BY NEWMAT USA LTD. THEREFORE MAY NOT REPRESENT THE CONDITIONS AS CONSTRUCTED AT THAT TIME.

NEWMAT NORTHEAST CORP. 	#	REVISIONS:	Drawn	Checked	81 MAHAN STREET, WEST BABYLON, NY 11704 TEL. (631) 261 1498 FAX (631) 261 1756 Drawing Title: DETAILS Job Title: COVINGTON & BURLING Customer Name: COVINGTON & BURLING 800-850 10TH ST NW WASHINGTON, DC 20001	Scale:	Drawn By:
	A	DATE	By	By		AS NOTED	R.K.
	B						Checked By:
	C						Job Number:
	D						Date:
E					13-000	3/2/2015	
					Drawing Number:	A-02	