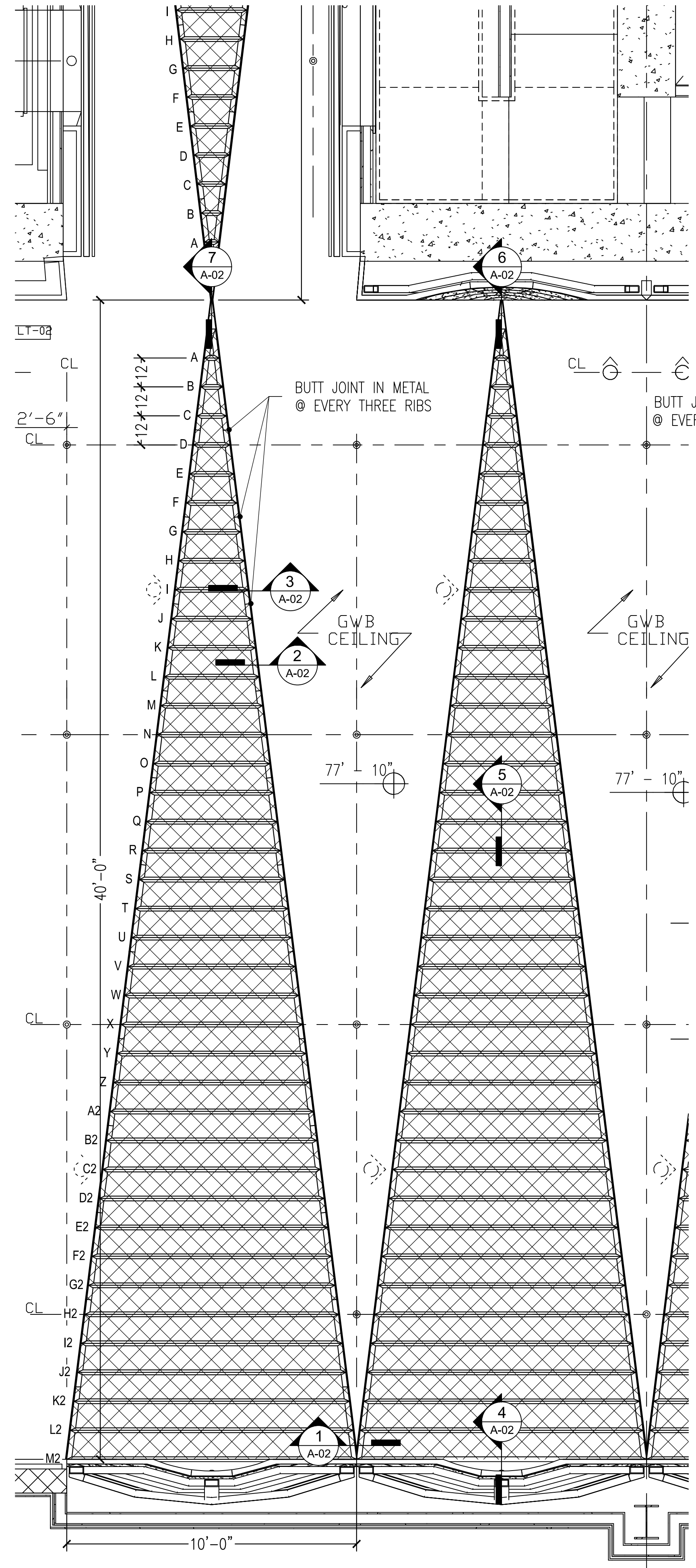
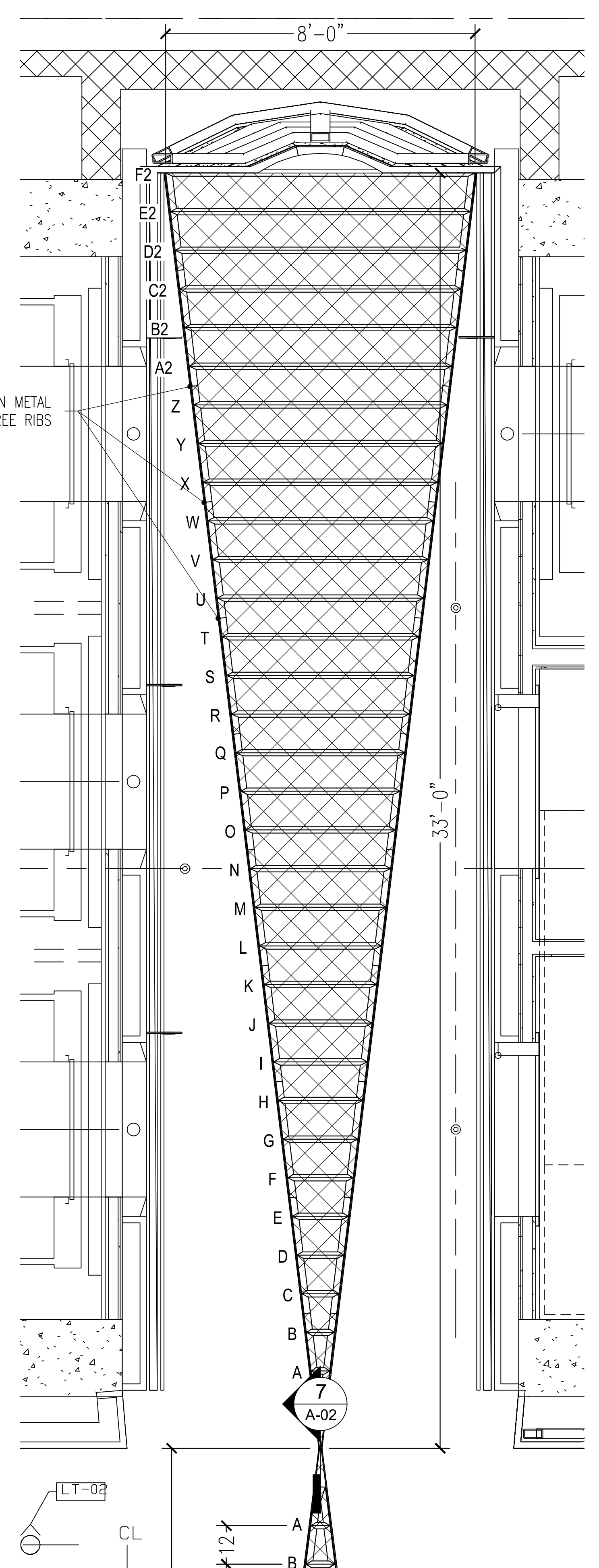


**1 PARTIAL RCP**  
SCALE: 1/4" = 1' - 0"



**2 ENLARGED RCP**  
SCALE: 3/8" = 1' - 0"



**3 ENLARGED RCP**  
SCALE: 1/2" = 1' - 0"

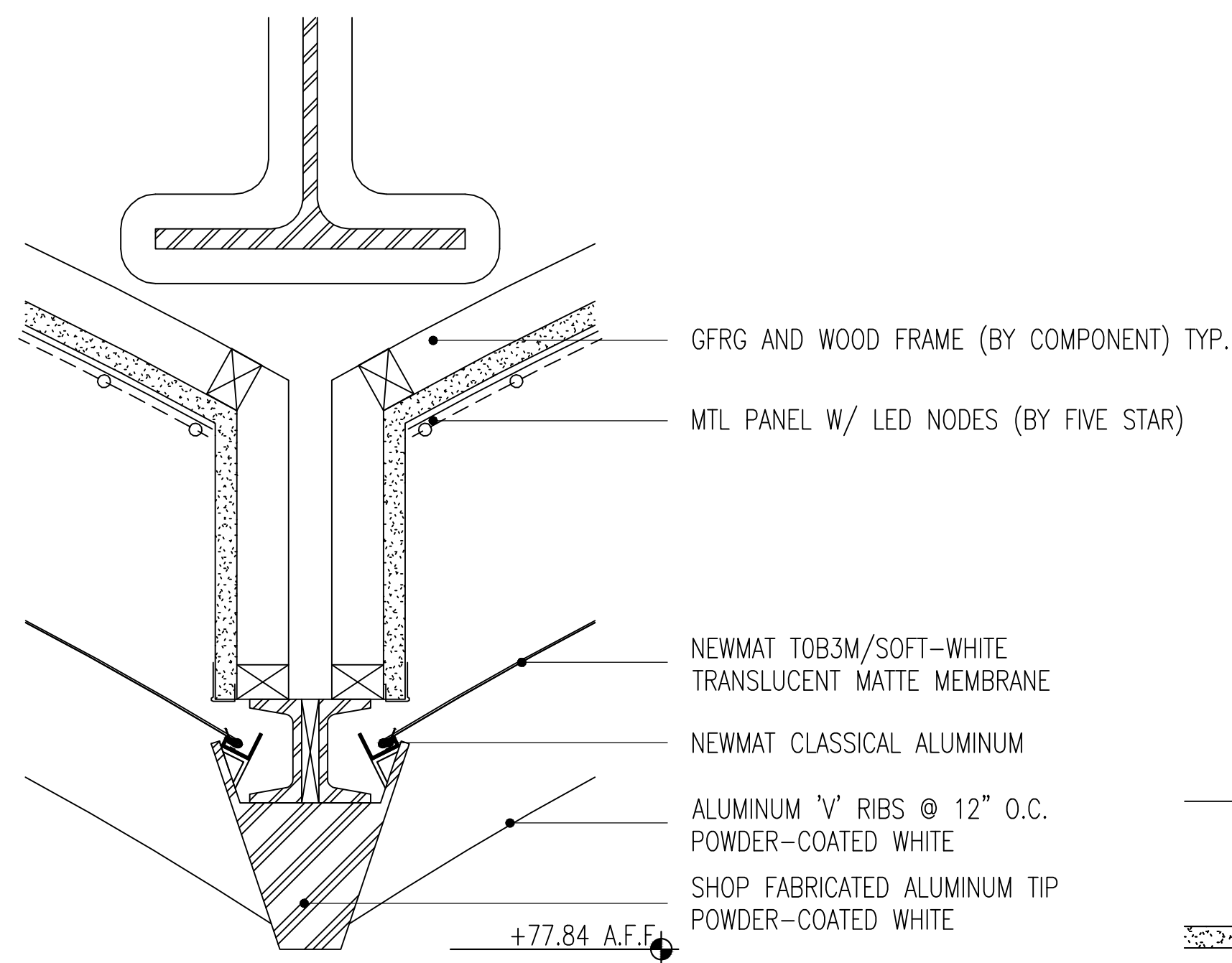
**NOTES:**  
 1) ALL DIMENSIONS AND LOCATIONS MUST BE V.I.F. PRIOR TO NEWMAT FABRICATION AND INSTALLATION.  
 2) ALL "BLOCKING BY OTHERS", MUST BE CONTINUOUS, STRAIGHT, LEVEL AND/OR PLUMB AND ABLE TO WITHSTAND 30LBS. PER LINEAR FOOT OF LATERAL TENSION WHICH WILL BE EXERTED BY EACH LAYER OF MEMBRANE.

LEAD TIME: TEN (10) WEEKS FROM RECEIPT OF REQUIRED DEPOSIT, APPROVED SAMPLES, APPROVED SHOP DRAWINGS, AND CONFIRMED MEASUREMENTS.

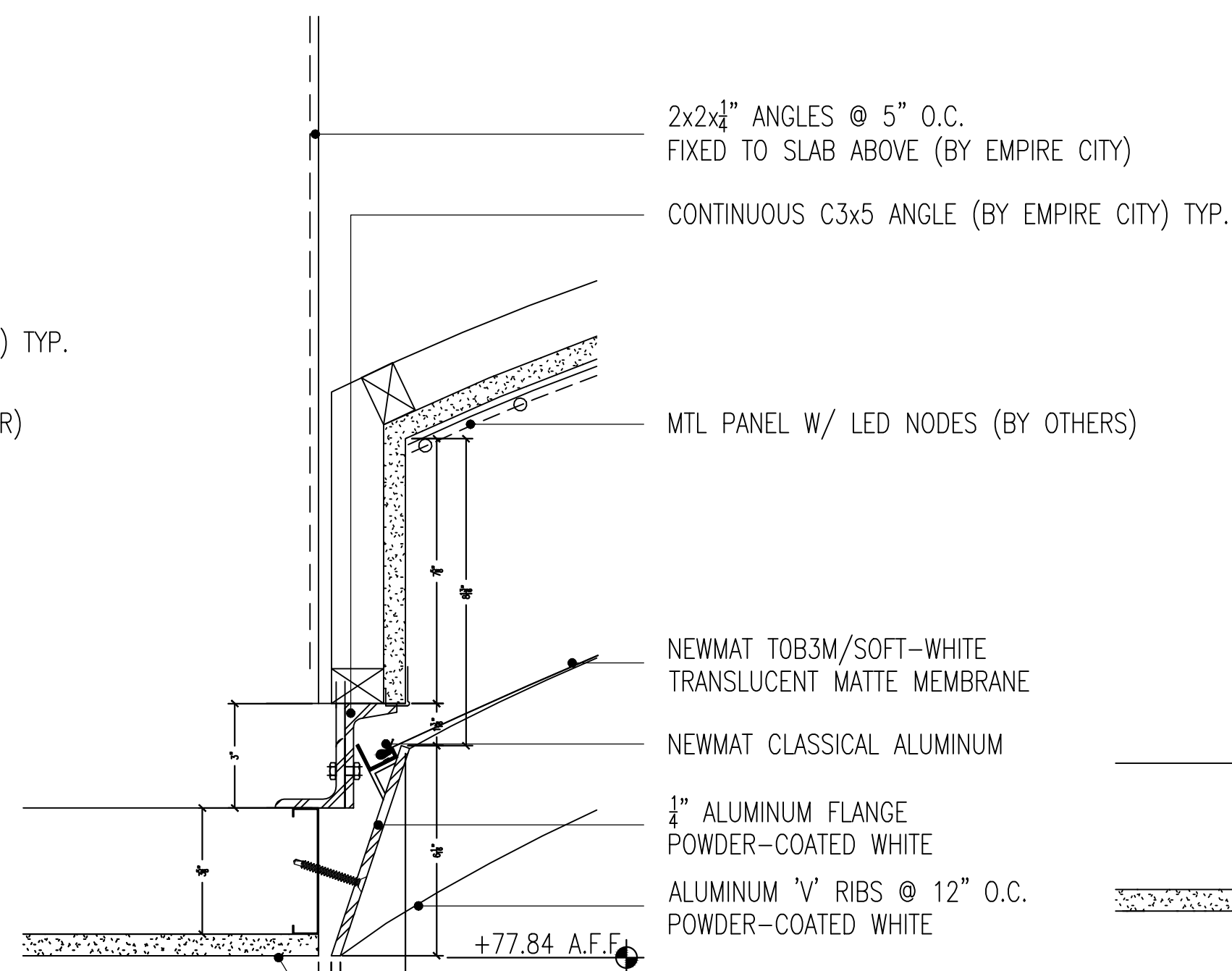
**AS BUILT**  
**4/22/2015**

**NOTICE:**  
 THESE DRAWINGS WERE PRODUCED BY AND ARE THE SOLE PROPERTY OF NEWMAT USA LTD ANY AND ALL INFORMATION CONTAINED HEREIN SHALL NOT BE USED BY ANY OTHER PERSON OR COMPANY WITHOUT THE EXPRESSED WRITTEN CONSENT OF NEWMAT USA LTD. THE DRAWINGS MAY HAVE BEEN BASED ON CONSTRUCTION DRAWINGS NOT PREPARED BY NEWMAT USA LTD. THEREFORE MAY NOT REPRESENT THE CONDITIONS AS CONSTRUCTED AT THAT TIME.

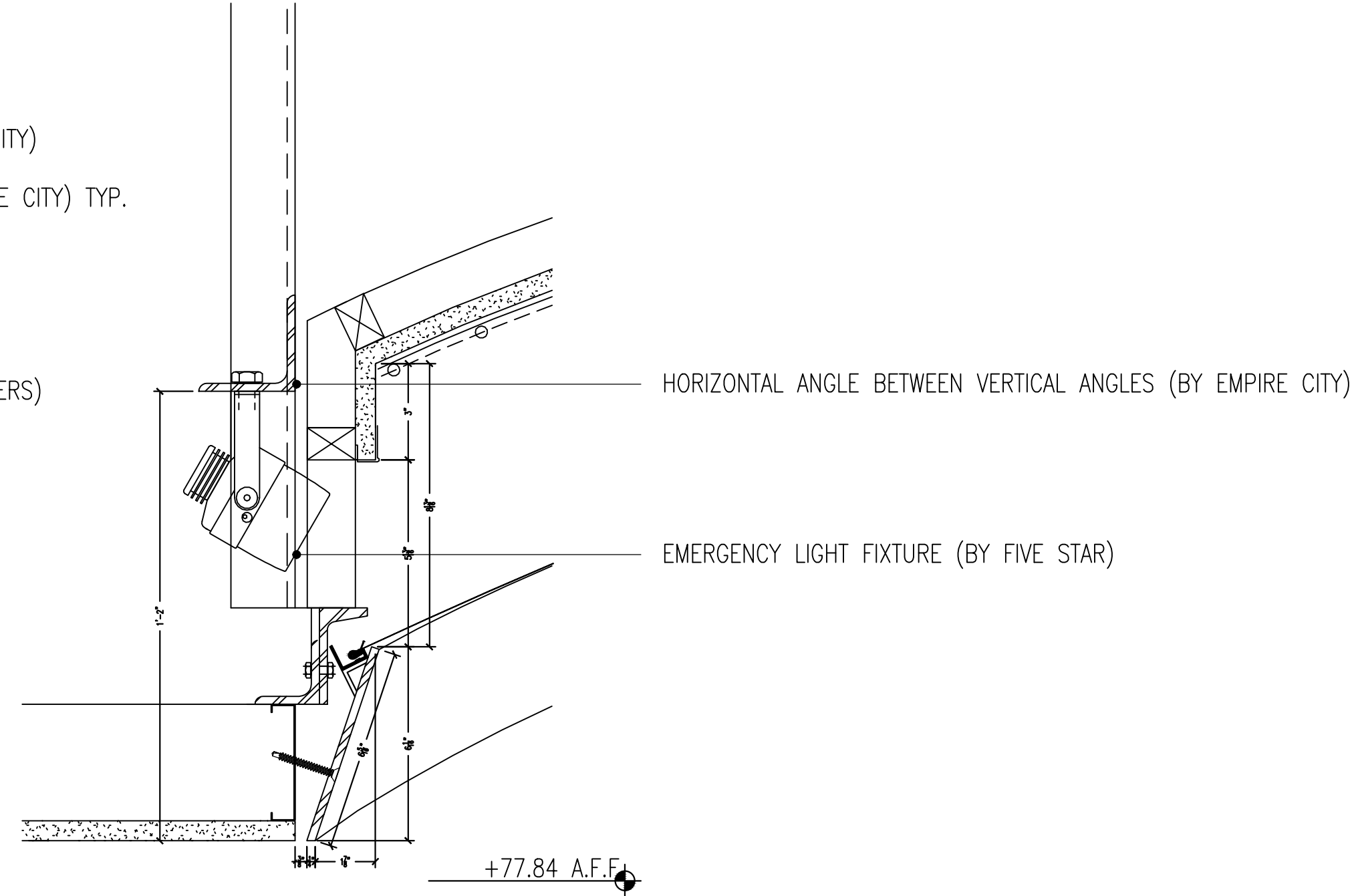
<b>NEWMAT NORTHEAST CORP.</b>		<b>newmat<sup>®</sup></b> STRETCH CEILING SYSTEMS	
#	REVISIONS	DATE	Drawn By
A	8/8/2013	R.K.	81 MAHAN STREET, WEST BABYLON, NY 11704
B	10/10/2013	R.K.	TEL: (631) 261 1498 FAX: (631) 261 1756
C	10/11/2013	R.K.	Job Title: PARTIAL RCP
D	10/15/2013	R.K.	Job Title: 7 BRYANT PARK
E	10/21/2014	R.K.	Customer Name: 1045 AVENUE OF THE AMERICAS NEW YORK, NY
Scale:	AS NOTED	Drawn By:	R.K.
Job Number:	13-000	Checked By:	
Date:	8/2/2013	Drawing Number:	A-01



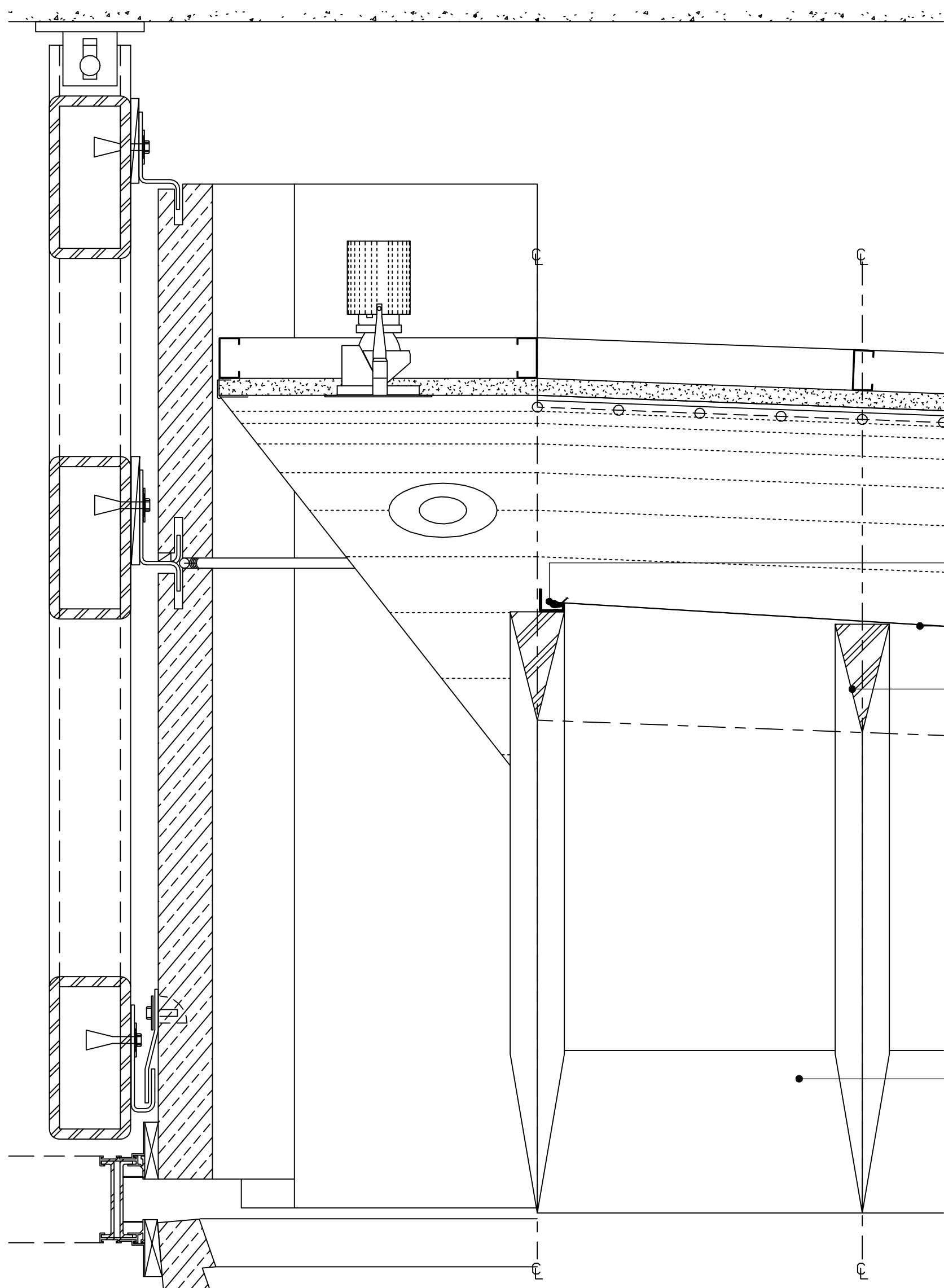
1 CEILING SECTION  
SCALE: 3" = 1' - 0"



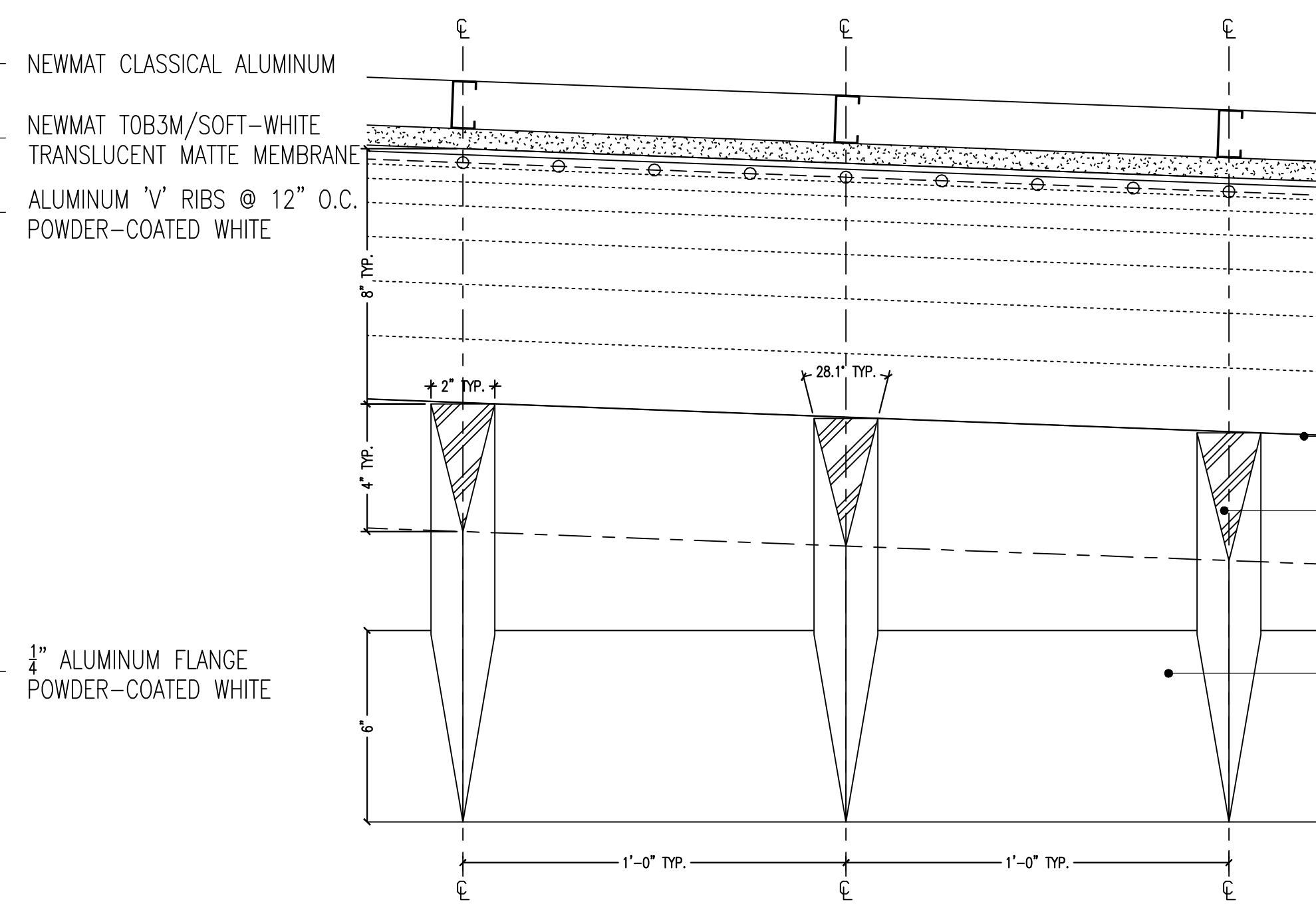
2 CEILING SECTION  
SCALE: 3" = 1' - 0"



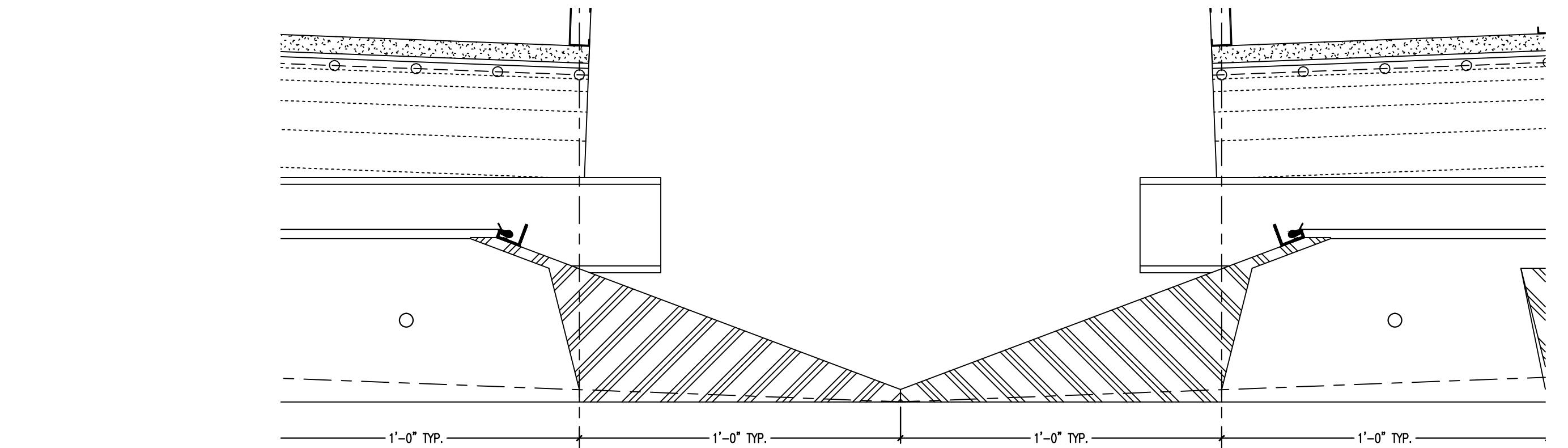
3 CEILING SECTION  
SCALE: 3" = 1' - 0"



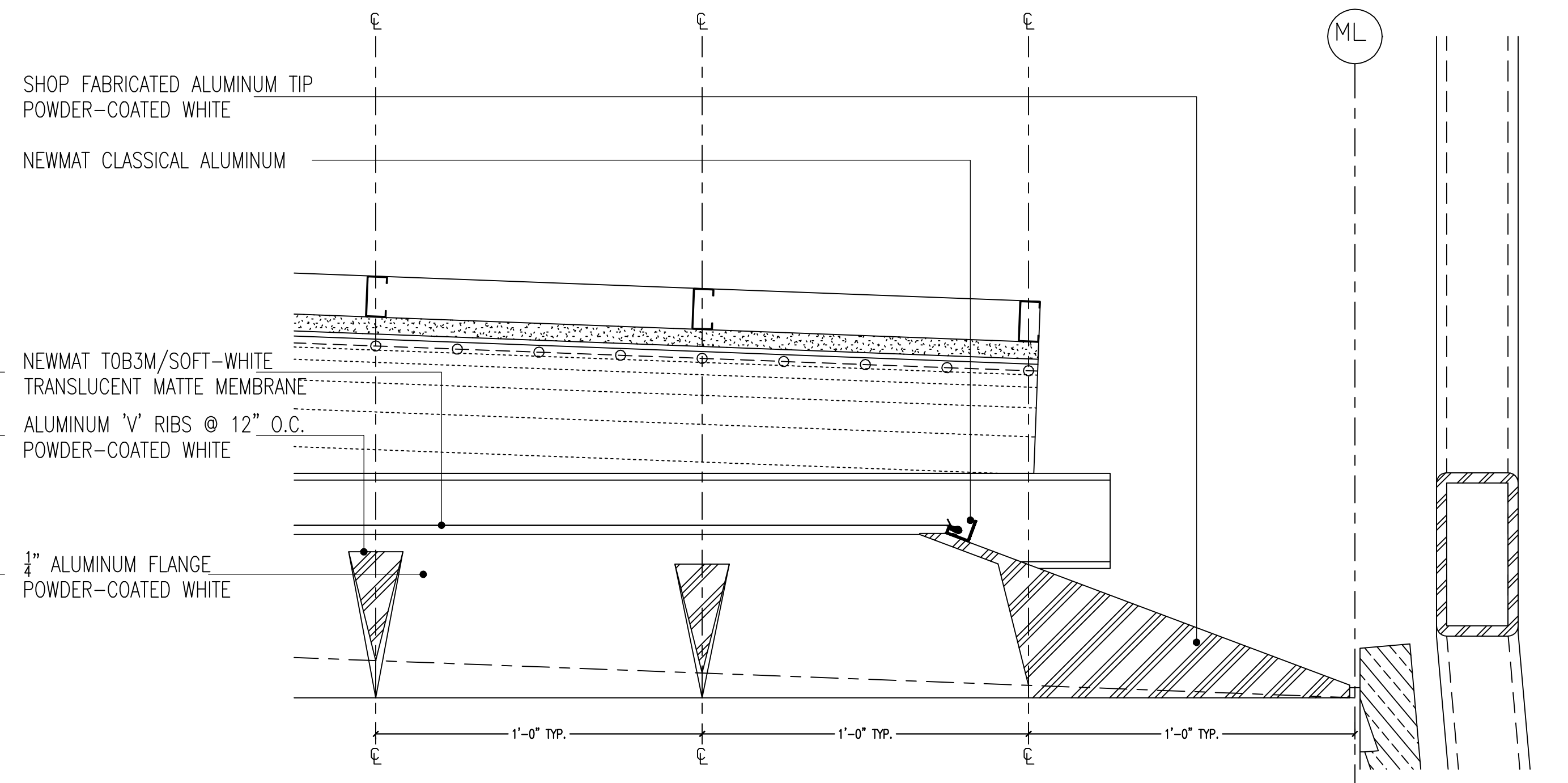
4 CEILING SECTION  
SCALE: 3" = 1' - 0"



5 CEILING SECTION  
SCALE: 3" = 1' - 0"



7 CEILING SECTION  
SCALE: 3" = 1' - 0"



6 CEILING SECTION  
SCALE: 3" = 1' - 0"

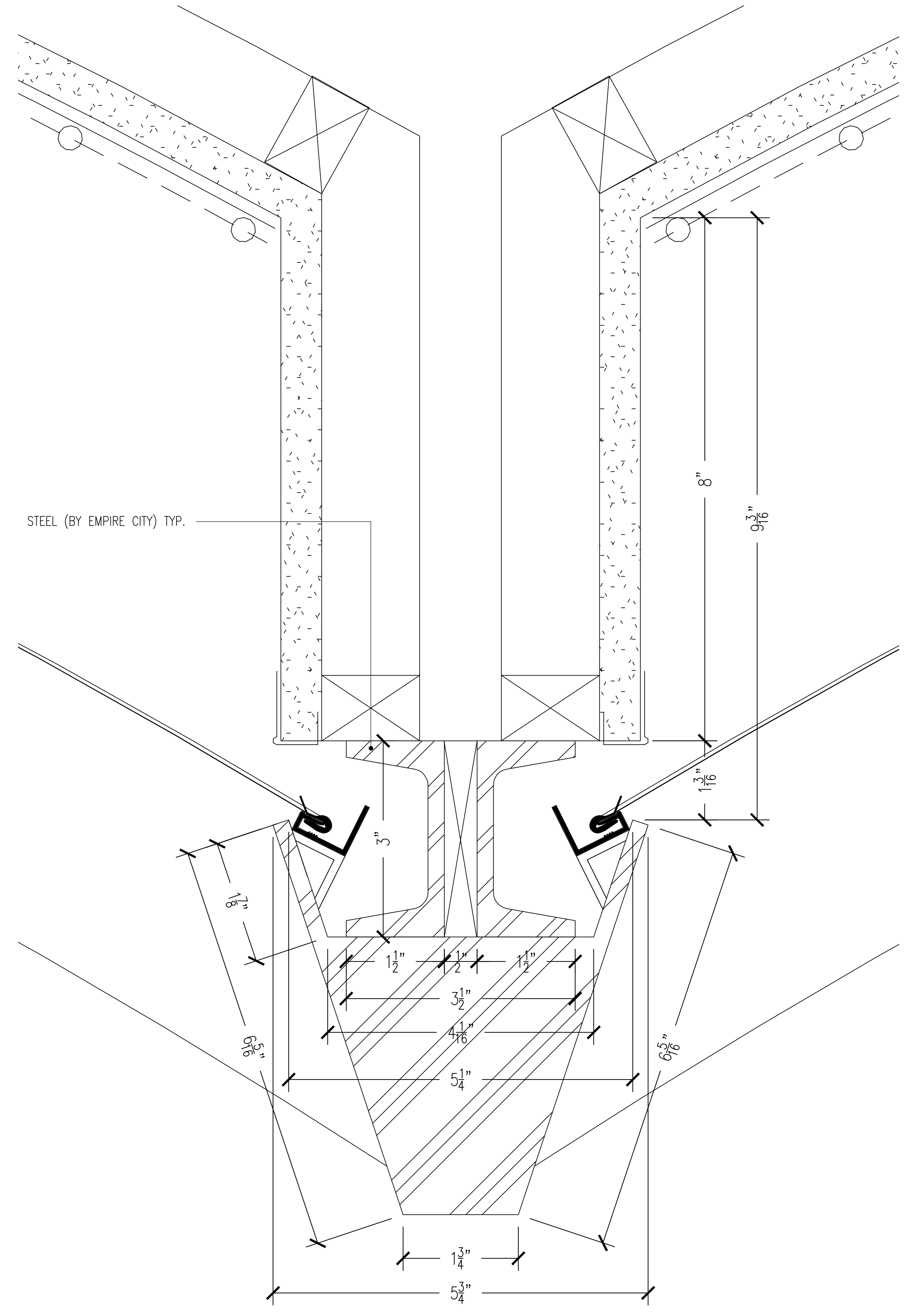
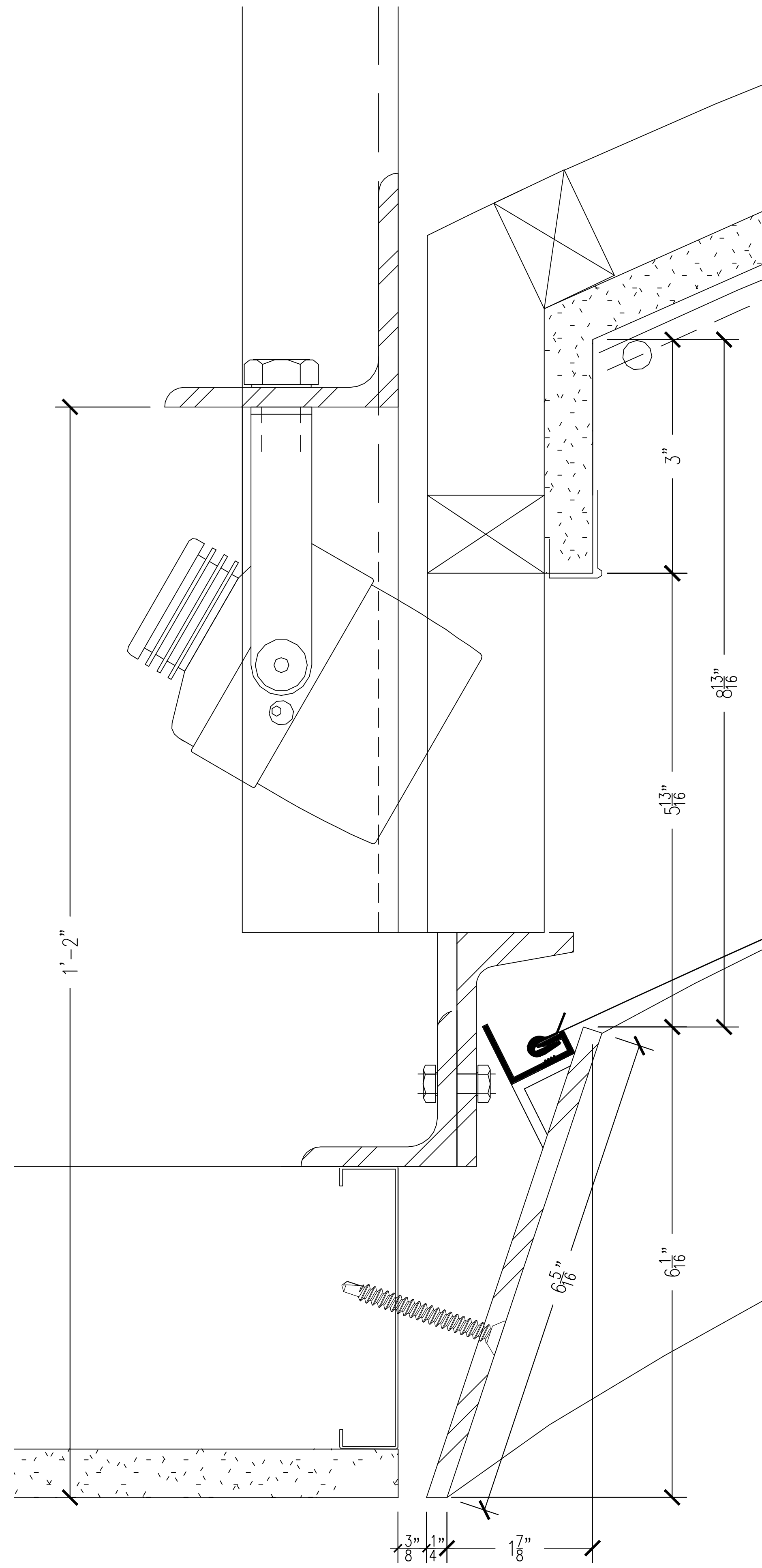
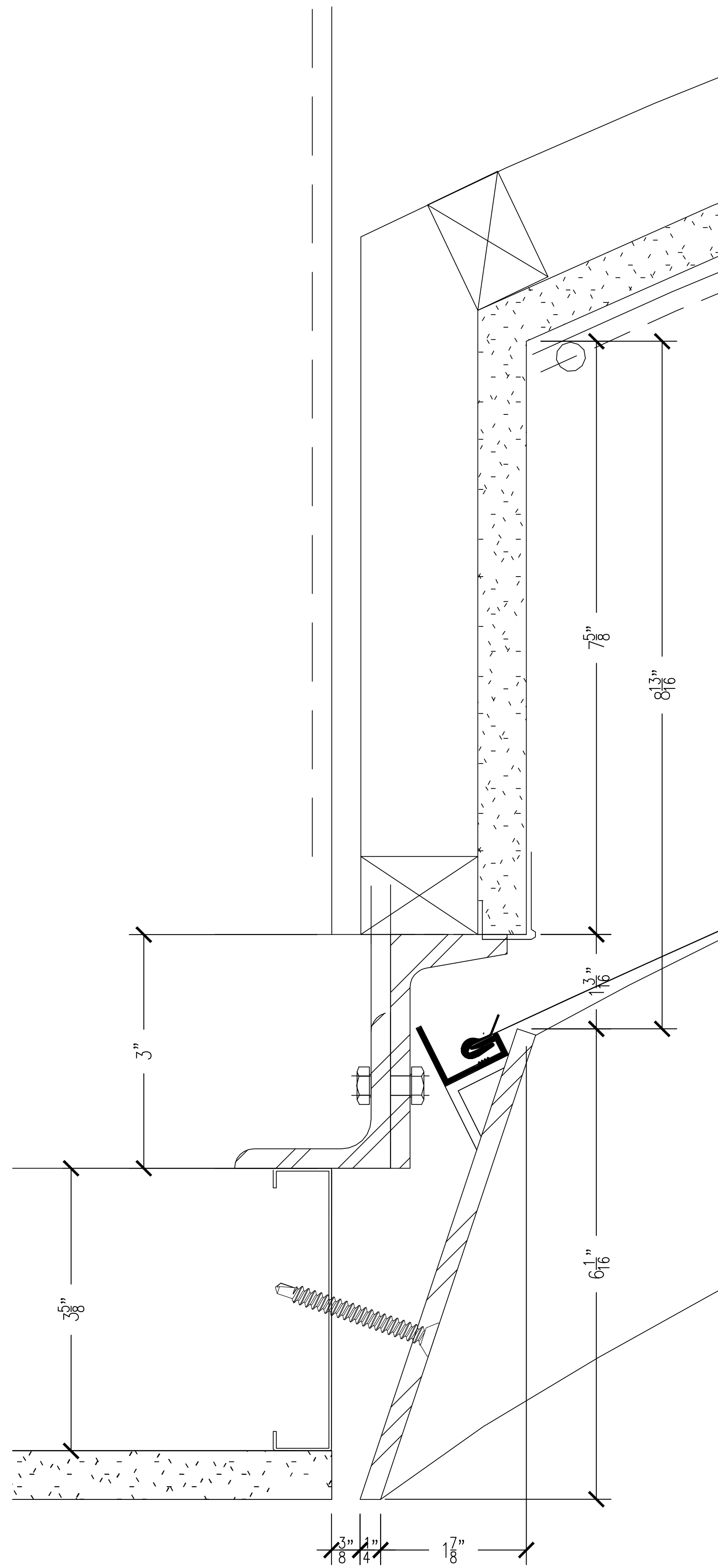
**NOTES:**  
 1) ALL DIMENSIONS AND LOCATIONS MUST BE V.I.F. PRIOR TO NEWMAT FABRICATION AND INSTALLATION.  
 3) ALL "BLOCKING BY OTHERS", MUST BE CONTINUOUS, STRAIGHT, LEVEL AND/OR PLUMB AND ABLE TO WITHSTAND 30LBS. PER LINEAR FOOT OF LATERAL TENSION WHICH WILL BE EXERTED BY EACH LAYER OF MEMBRANE.

LEAD TIME: TEN (10) WEEKS FROM RECEIPT OF REQUIRED DEPOSIT, APPROVED SAMPLES, APPROVED SHOP DRAWINGS, AND CONFIRMED MEASUREMENTS.

**AS BUILT**  
**4/22/2015**

NOTICE: THESE DRAWINGS WERE PRODUCED BY AND ARE THE SOLE PROPERTY OF NEWMAT USA LTD ANY AND ALL INFORMATION CONTAINED HEREIN SHALL NOT BE USED BY ANY OTHER PERSON OR COMPANY WITHOUT THE EXPRESSED WRITTEN CONSENT OF NEWMAT USA LTD. THE DRAWINGS MAY HAVE BEEN BASED ON CONSTRUCTION DRAWINGS NOT PREPARED BY NEWMAT USA LTD. THEREFORE MAY NOT REPRESENT THE CONDITIONS AS CONSTRUCTED AT THAT TIME.				# REVISIONS: DATE Drawn By Checked By A 8/8/2013 R.K. B 10/10/2013 R.K. C 10/11/2013 R.K. D 10/15/2013 R.K. E 10/21/2014 R.K.		81 MAHAN STREET, WEST BABYLON, NY 11704 TEL. (631) 261 1498 FAX (631) 261 1756 Drawing Title: DETAILS Job Title: 7 BRYANT PARK Customer Name: 1045 AVENUE OF THE AMERICAS NEW YORK, NY		Scale: AS NOTED Job Number: 13-000 Drawing Number: A-02		Drawn By: R.K. Checked By: Date: 8/2/2013	
---	--	--	--	---	--	--	--	--	--	---	--

**NEWMAT**  
**NORTHEAST CORP.**  
*newmat*  
**STRETCH CEILING SYSTEMS**



1 CEILING SECTION  
SCALE: FULL

2 CEILING SECTION  
SCALE: FULL

3 CEILING SECTION  
SCALE: FULL

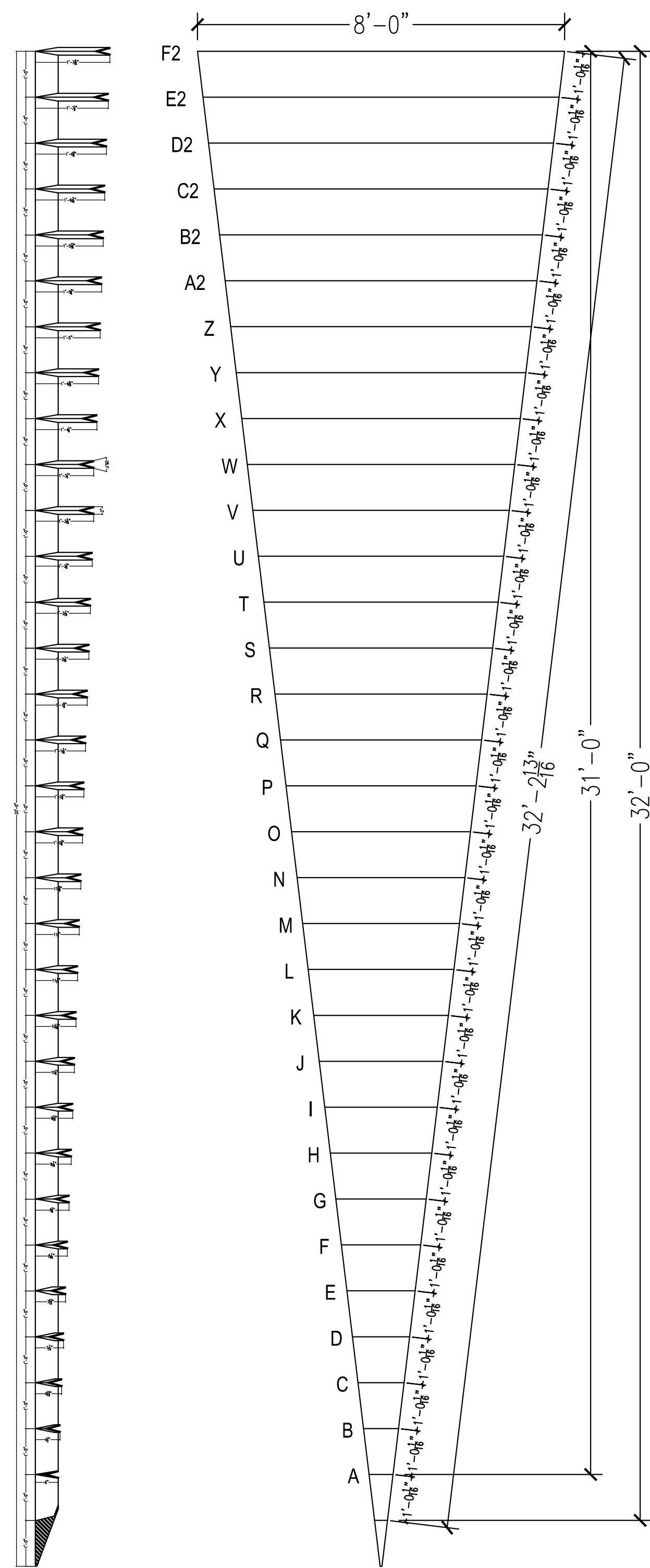
**NOTES:**  
 1) ALL DIMENSIONS AND LOCATIONS MUST BE V.I.F. PRIOR TO NEWMAT FABRICATION AND INSTALLATION.  
 3) ALL "BLOCKING BY OTHERS", MUST BE CONTINUOUS, STRAIGHT, LEVEL AND/OR PLUMB AND ABLE TO WITHSTAND 30LBS. PER LINEAR FOOT OF LATERAL TENSION WHICH WILL BE EXERTED BY EACH LAYER OF MEMBRANE.

LEAD TIME: TEN (10) WEEKS FROM RECEIPT OF REQUIRED DEPOSIT, APPROVED SAMPLES, APPROVED SHOP DRAWINGS, AND CONFIRMED MEASUREMENTS.

AS BUILT  
4/22/2015

**NOTICE:**  
 THESE DRAWINGS WERE PRODUCED BY AND ARE THE SOLE PROPERTY OF NEWMAT USA LTD ANY AND ALL INFORMATION CONTAINED HEREIN SHALL NOT BE USED BY ANY OTHER PERSON OR COMPANY WITHOUT THE EXPRESSED WRITTEN CONSENT OF NEWMAT USA LTD. THE DRAWINGS MAY HAVE BEEN BASED ON CONSTRUCTION DRAWINGS NOT PREPARED BY NEWMAT USA LTD. THEREFORE MAY NOT REPRESENT THE CONDITIONS AS CONSTRUCTED AT THAT TIME.

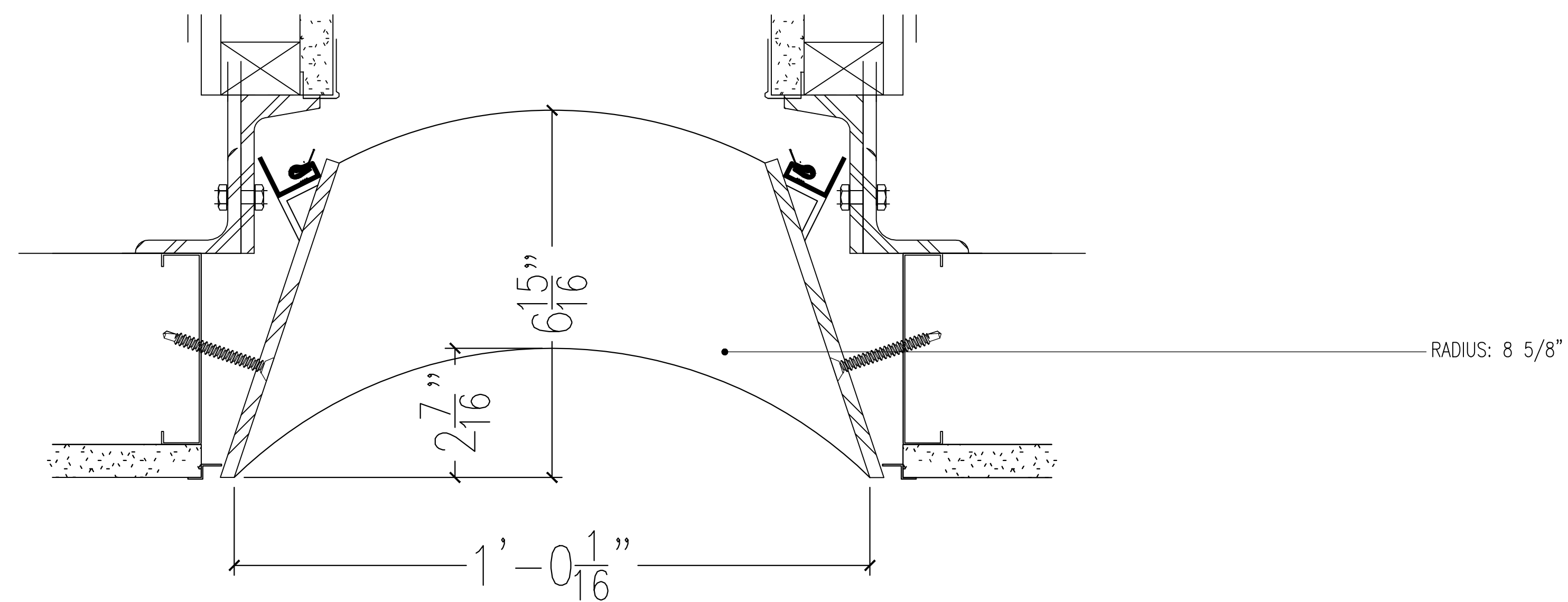
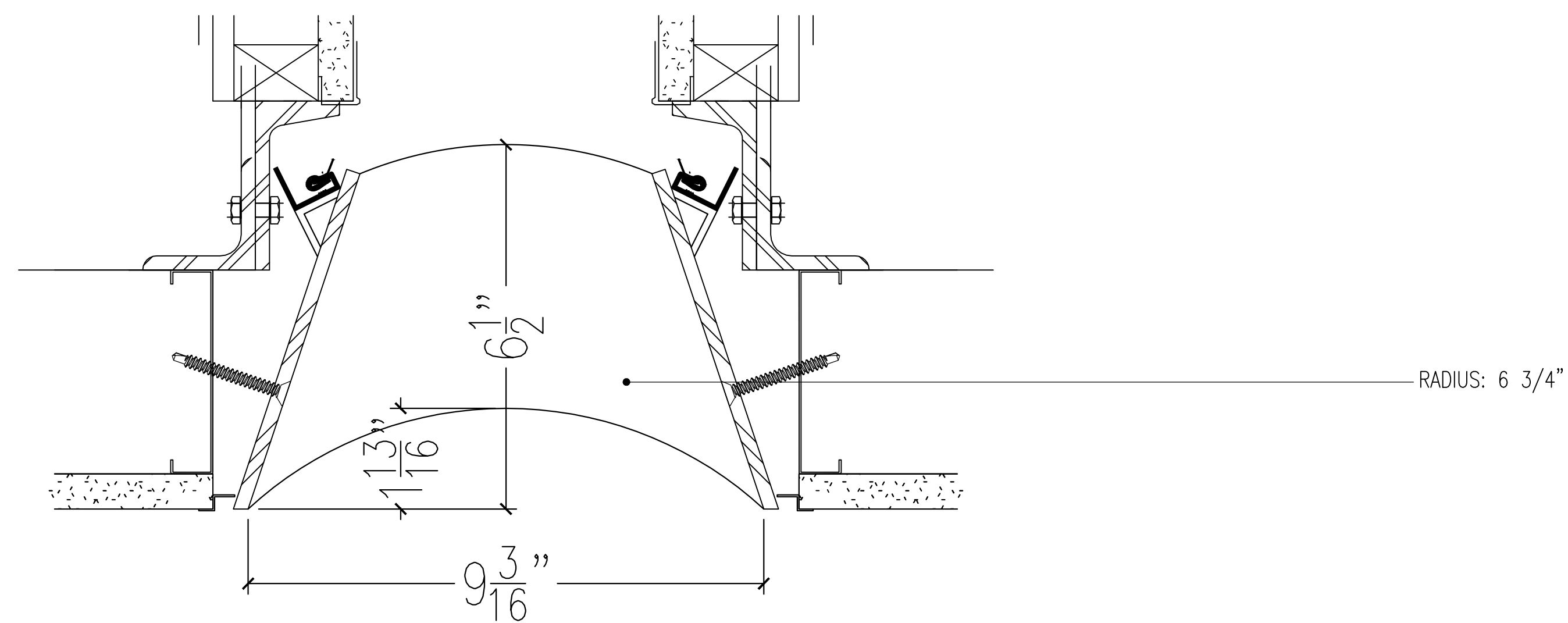
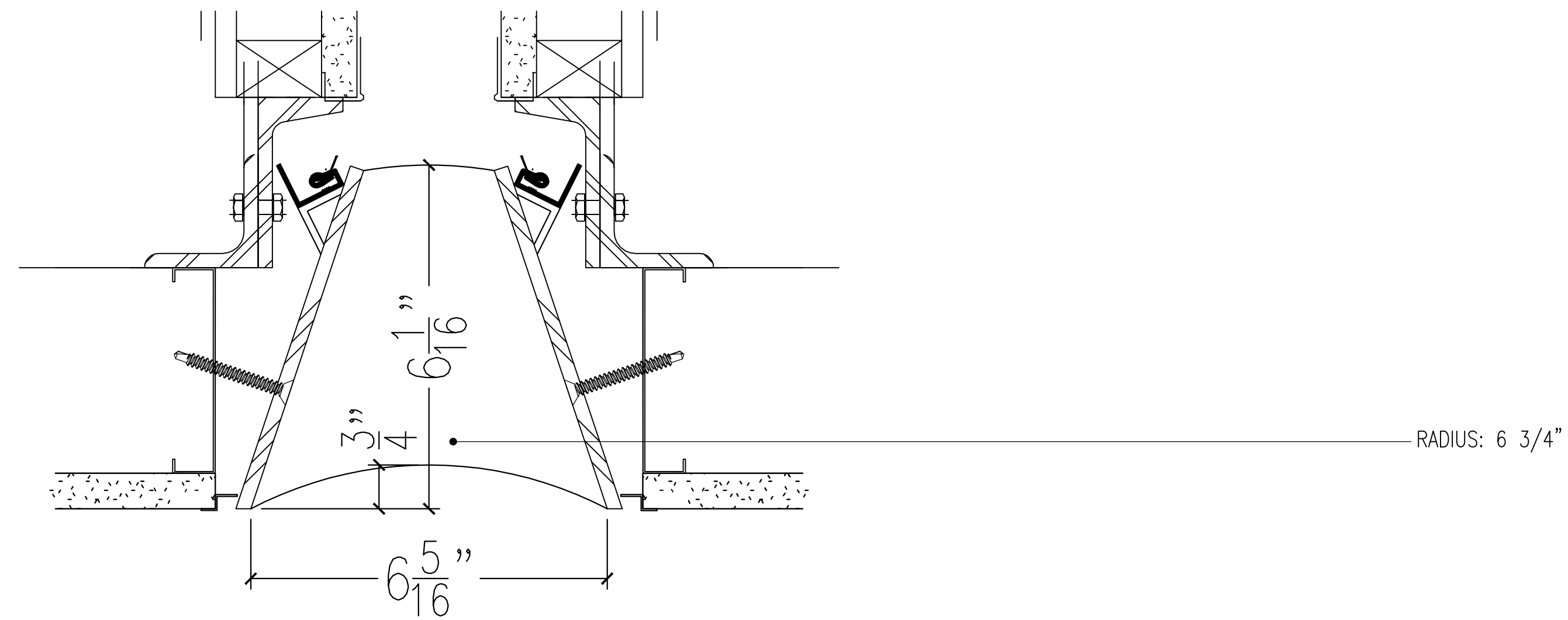
<b>NEWMAT</b> <b>NORTHEAST CORP.</b> 	#	REVISIONS:	Drawn By:	Checked By:	81 MAHAN STREET, WEST BABYLON, NY 11704 TEL. (631) 261 1498 FAX (631) 261 1756	Scale:	Drawn By:
	A	8/8/2013	R.K.			AS NOTED	R.K.
	B	10/10/2013	R.K.		ENLARGED DETAILS		Checked By:
	C	10/11/2013	R.K.		Job Title: 7 BRYANT PARK	Job Number: 13-000	Date: 8/2/2013
	D	10/15/2013	R.K.		Customer Name:	1045 AVENUE OF THE AMERICAS NEW YORK, NY	Drawing Number: A-03
E	10/21/2014	R.K.					



**A**

**B**

**C**



1 PARTIAL RCP NORTH  
SCALE: NTS

**NOTES:**  
1) ALL DIMENSIONS AND LOCATIONS MUST BE V.I.F. PRIOR TO NEWMAT FABRICATION AND INSTALLATION.  
3) ALL "BLOCKING BY OTHERS", MUST BE CONTINUOUS, STRAIGHT, LEVEL AND/OR PLUMB AND ABLE TO WITHSTAND 30LBS. PER LINEAR FOOT OF LATERAL TENSION WHICH WILL BE EXERTED BY EACH LAYER OF MEMBRANE.

LEAD TIME: TEN (10) WEEKS FROM RECEIPT OF REQUIRED DEPOSIT, APPROVED SAMPLES, APPROVED SHOP DRAWINGS, AND CONFIRMED MEASUREMENTS.

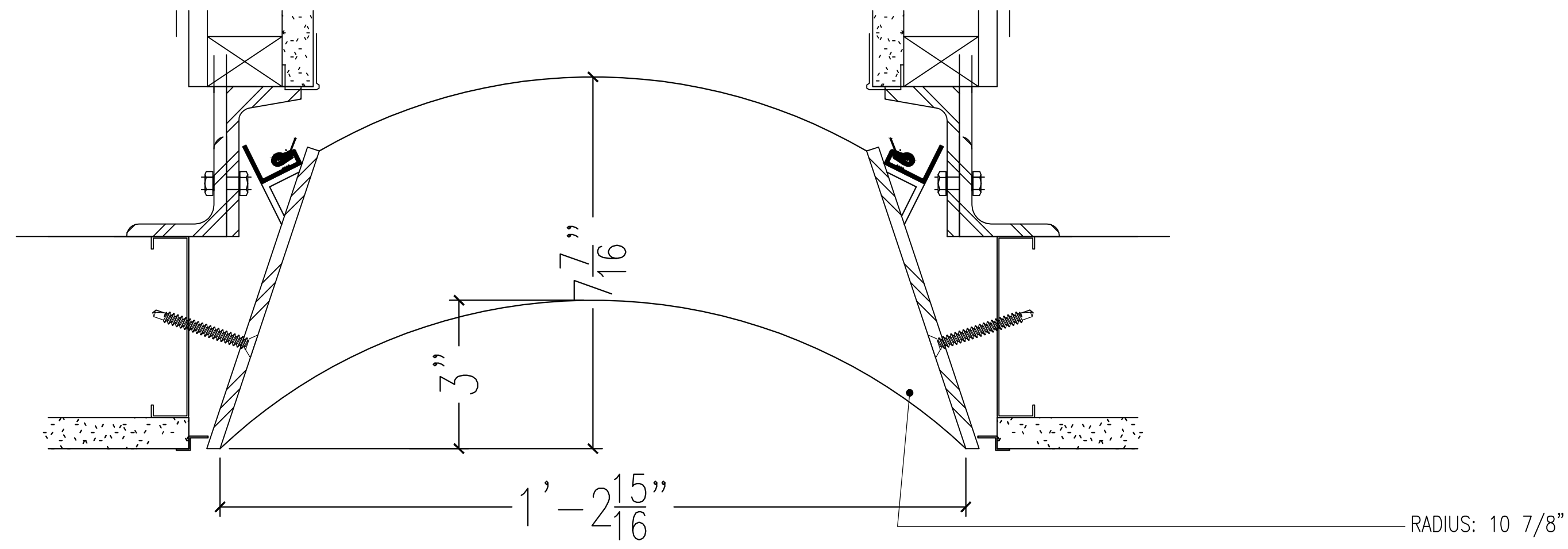
**AS BUILT**  
**4/22/2015**

NOTICE:				81 MAHAN STREET, WEST BABYLON, NY 11704 TEL. (631) 261 1498 FAX (631) 261 1756		Scale:	Drawn By:
THESE DRAWINGS WERE PRODUCED BY AND ARE THE SOLE PROPERTY OF NEWMAT USA LTD ANY AND ALL INFORMATION CONTAINED HEREIN SHALL NOT BE USED BY ANY OTHER PERSON OR COMPANY WITHOUT THE EXPRESSED WRITTEN CONSENT OF NEWMAT USA LTD. THE DRAWINGS MAY HAVE BEEN BASED ON CONSTRUCTION DRAWINGS NOT PREPARED BY NEWMAT USA LTD THEREFORE MAY NOT REPRESENT THE CONDITIONS AS CONSTRUCTED AT THAT TIME.				Drawing Title: SECTIONS		AS NOTED	R.K.
#	REVISIONS:	Drawn By	Checked By	Job Title: 7 BRYANT PARK		Job Number: 13-000	Date: 8/2/2013
A	8/8/2013	R.K.		Customer Name:		1045 AVENUE OF THE AMERICAS NEW YORK, NY	
B	10/10/2013	R.K.					
C	10/11/2013	R.K.					
D	10/15/2013	R.K.					
E	10/21/2014	R.K.					

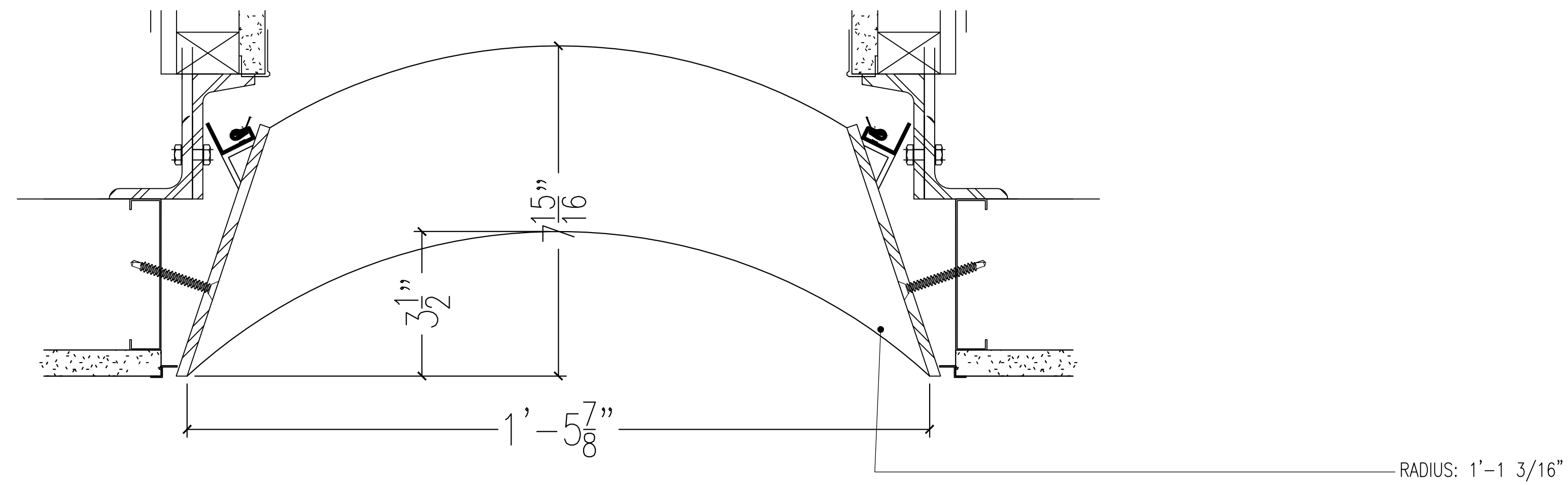
**NEWMAT**  
**NORTHEAST CORP.**  
*newmat*  
**STRETCH CEILING SYSTEMS**

A-04

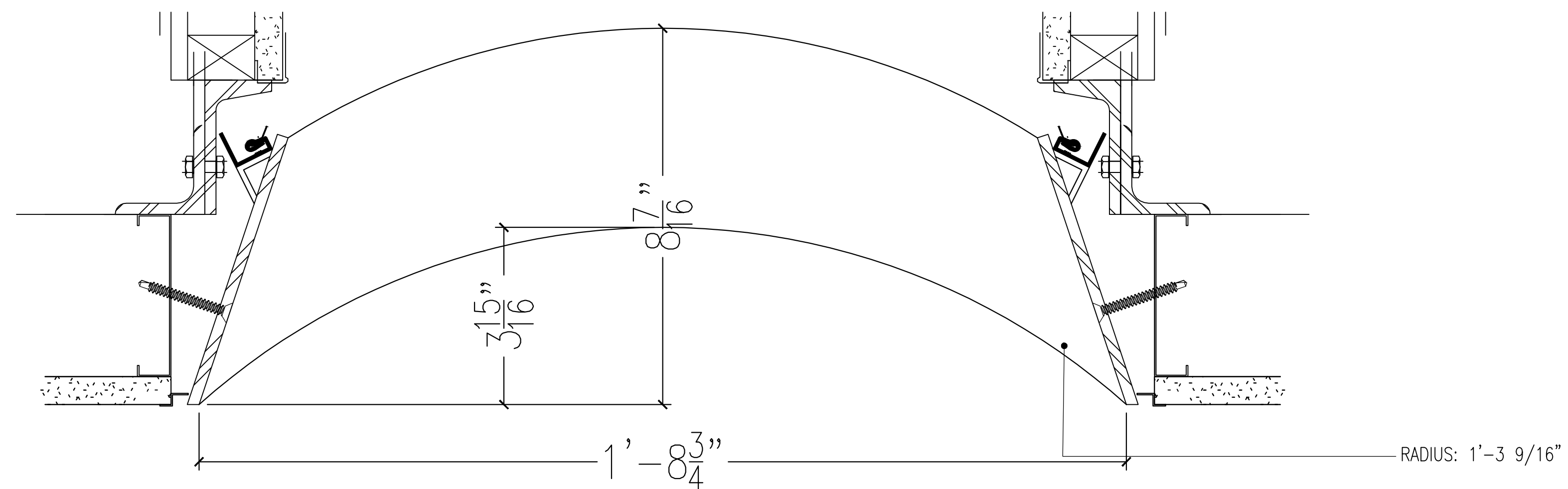
# D



# E



# F



**NOTES:**  
 1) ALL DIMENSIONS AND LOCATIONS MUST BE V.I.F. PRIOR TO NEWMAT FABRICATION AND INSTALLATION.  
 3) ALL "BLOCKING BY OTHERS", MUST BE CONTINUOUS, STRAIGHT, LEVEL AND/OR PLUMB AND ABLE TO WITHSTAND 30LBS. PER LINEAR FOOT OF LATERAL TENSION WHICH WILL BE EXERTED BY EACH LAYER OF MEMBRANE.

LEAD TIME: TEN (10) WEEKS FROM RECEIPT OF REQUIRED DEPOSIT, APPROVED SAMPLES, APPROVED SHOP DRAWINGS, AND CONFIRMED MEASUREMENTS.

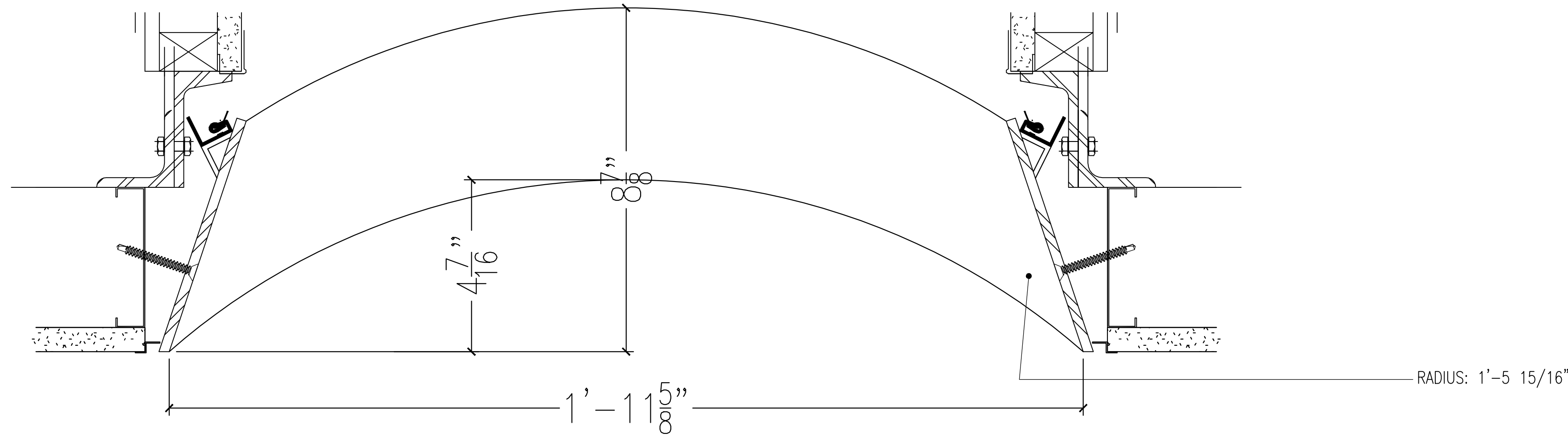
**AS BUILT**  
**4/22/2015**

**NOTICE:**  
 THESE DRAWINGS WERE PRODUCED BY AND ARE THE SOLE PROPERTY OF NEWMAT USA LTD ANY AND ALL INFORMATION CONTAINED HEREIN SHALL NOT BE USED BY ANY OTHER PERSON OR COMPANY WITHOUT THE EXPRESSED WRITTEN CONSENT OF NEWMAT USA LTD. THE DRAWINGS MAY HAVE BEEN BASED ON CONSTRUCTION DRAWINGS NOT PREPARED BY NEWMAT USA LTD THEREFORE MAY NOT REPRESENT THE CONDITIONS AS CONSTRUCTED AT THAT TIME.

**NEWMAT**  
**NORTHEAST CORP.**  
*newmat*  
**STRETCH CEILING SYSTEMS**

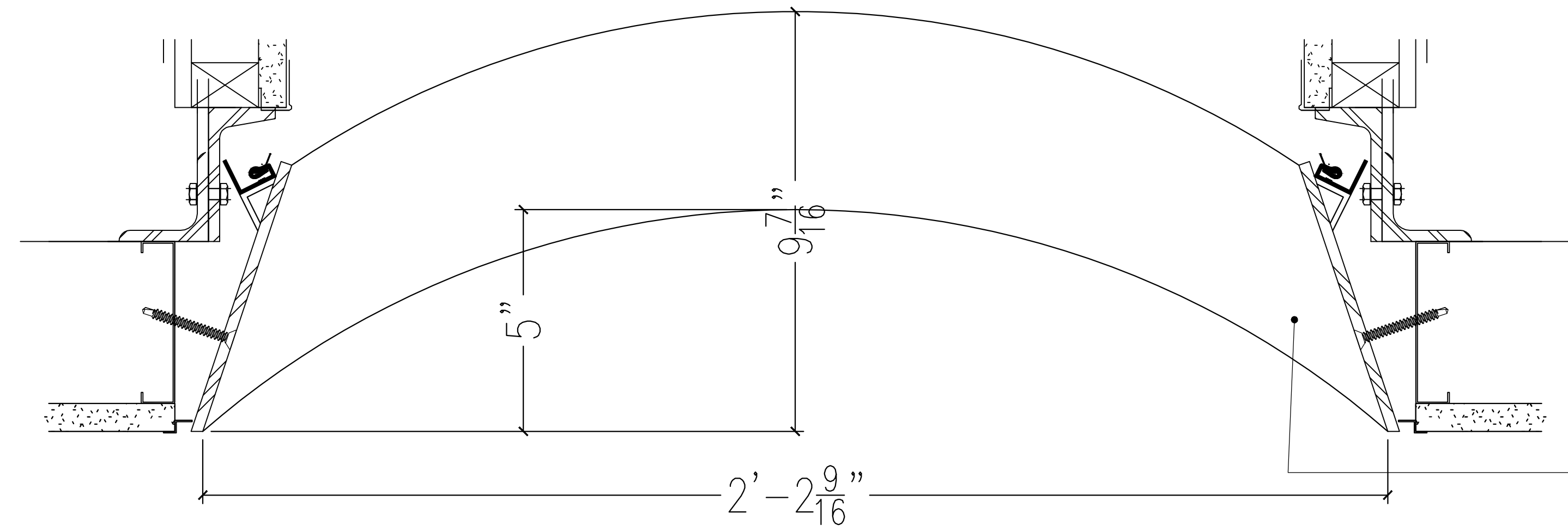
#	REVISIONS:	DATE	Drawn By	Checked By	81 MAHAN STREET, WEST BABYLON, NY 11704 TEL. (631) 261 1498 FAX (631) 261 1756	Scale:	Drawn By:
A	8/8/2013	R.K.			Drawing Title: SECTIONS	AS NOTED	R.K.
B	10/10/2013	R.K.			Job Title: 7 BRYANT PARK	Job Number: 13-000	Checked By:
C	10/11/2013	R.K.			Customer Name:	Date: 8/2/2013	
D	10/15/2013	R.K.			1045 AVENUE OF THE AMERICAS NEW YORK, NY	Drawing Number: A-05	
E	10/21/2014	R.K.					

# G



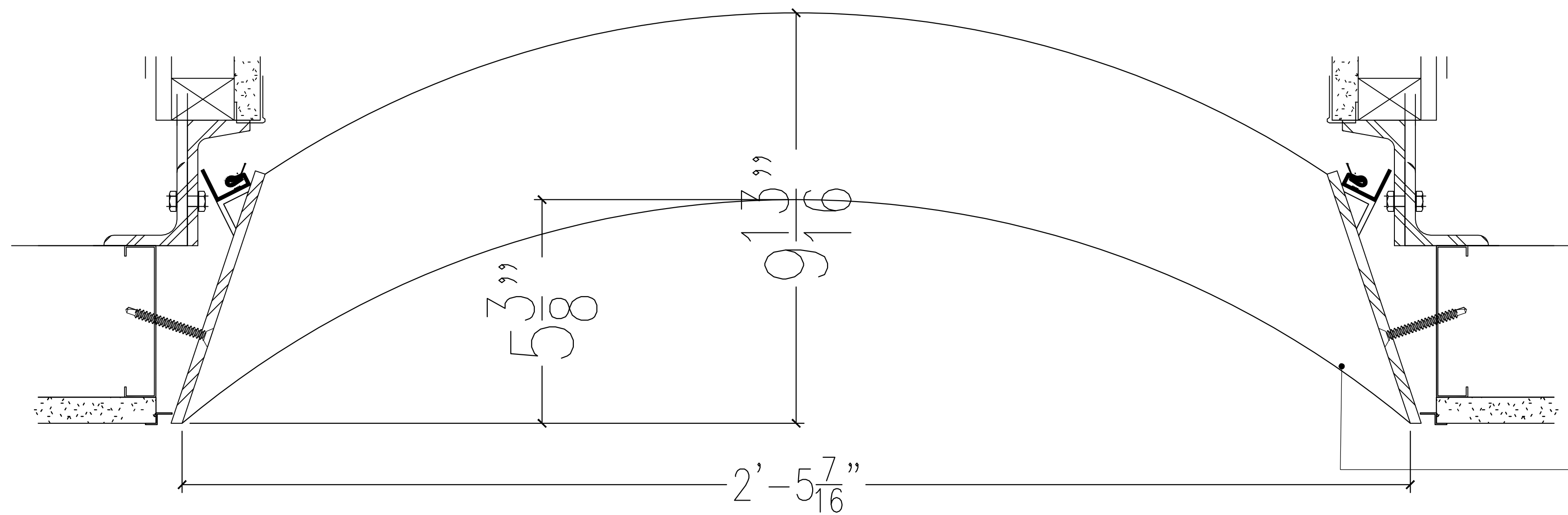
RADIUS: 1'-5 15/16"

# H



RADIUS: 1'-8 3/16"

# I



RADIUS: 1'-10 7/8"

**NOTES:**

1) ALL DIMENSIONS AND LOCATIONS MUST BE V.I.F. PRIOR TO NEWMAT FABRICATION AND INSTALLATION.

3) ALL "BLOCKING BY OTHERS", MUST BE CONTINUOUS, STRAIGHT, LEVEL AND/OR PLUMB AND ABLE TO WITHSTAND 30LBS. PER LINEAR FOOT OF LATERAL TENSION WHICH WILL BE EXERTED BY EACH LAYER OF MEMBRANE.

LEAD TIME: TEN (10) WEEKS FROM RECEIPT OF REQUIRED DEPOSIT, APPROVED SAMPLES, APPROVED SHOP DRAWINGS, AND CONFIRMED MEASUREMENTS.

**AS BUILT**  
**4/22/2015**

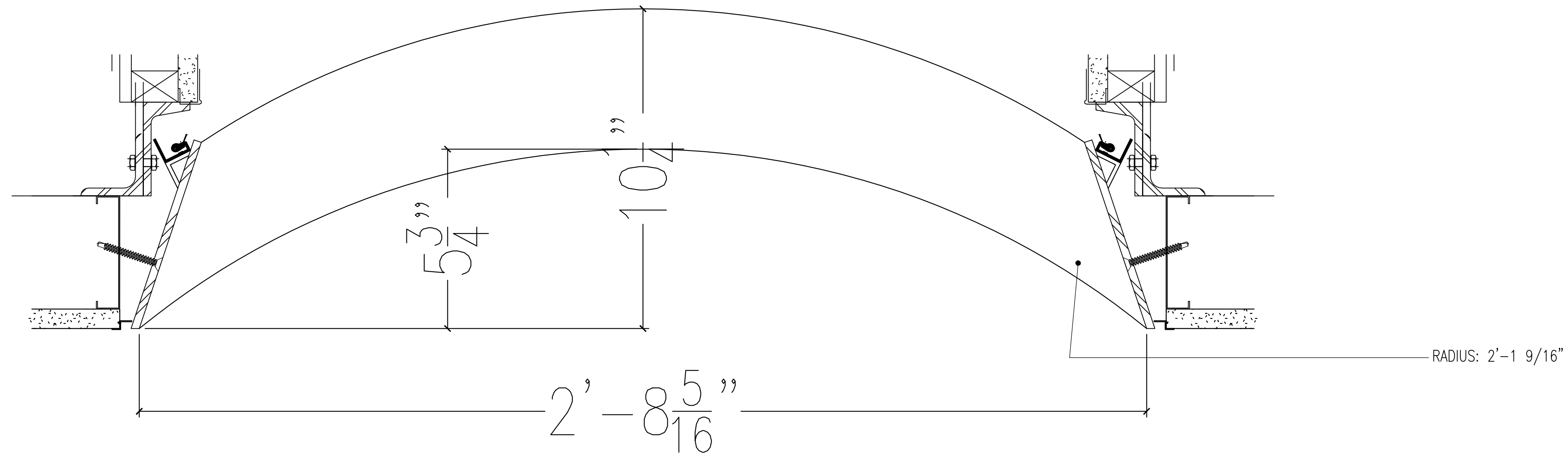
**NOTICE:**  
THESE DRAWINGS WERE PRODUCED BY AND ARE THE SOLE PROPERTY OF NEWMAT USA LTD ANY AND ALL INFORMATION CONTAINED HEREIN SHALL NOT BE USED BY ANY OTHER PERSON OR COMPANY WITHOUT THE EXPRESSED WRITTEN CONSENT OF NEWMAT USA LTD. THE DRAWINGS MAY HAVE BEEN BASED ON CONSTRUCTION DRAWINGS NOT PREPARED BY NEWMAT USA LTD THEREFORE MAY NOT REPRESENT THE CONDITIONS AS CONSTRUCTED AT THAT TIME.

**NEWMAT**  
**NORTHEAST CORP.**  
*newmat*  
**STRETCH CEILING SYSTEMS**

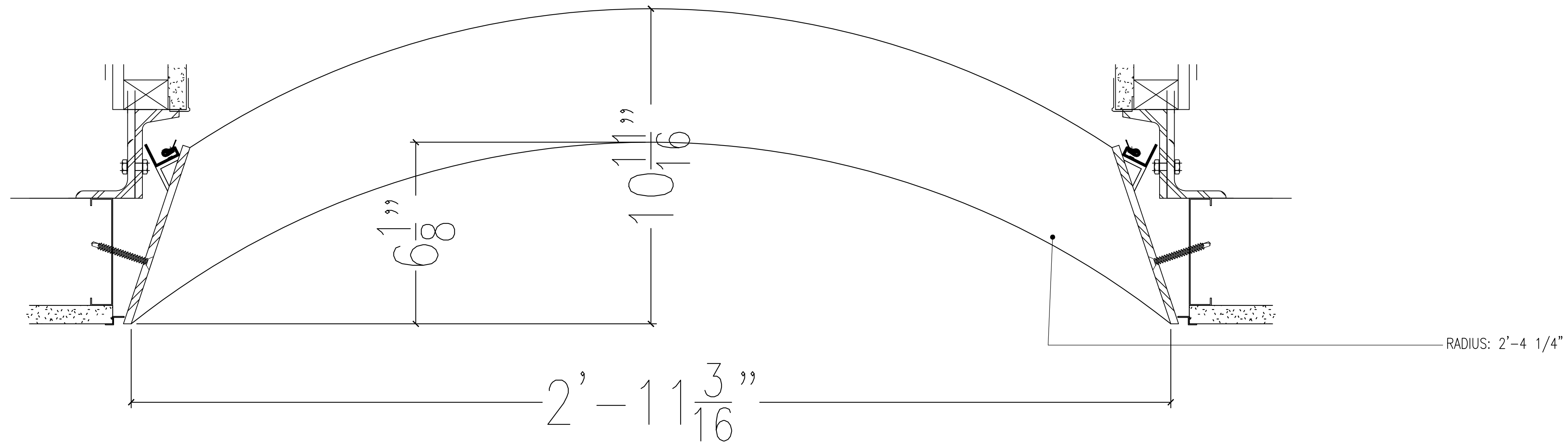
#	REVISIONS:	DATE	Drawn By	Checked By	81 MAHAN STREET, WEST BABYLON, NY 11704 TEL. (631) 261 1498 FAX (631) 261 1756	Scale:	Drawn By:
A	8/8/2013	R.K.			Drawing Title: SECTIONS	AS NOTED	R.K.
B	10/10/2013	R.K.			Job Title: 7 BRYANT PARK		
C	10/11/2013	R.K.			Customer Name:		
D	10/15/2013	R.K.			1045 AVENUE OF THE AMERICAS NEW YORK, NY		
E	10/21/2014	R.K.					

Job Number: 13-000	Date: 8/2/2013
Checked By:	Drawing Number: A-06

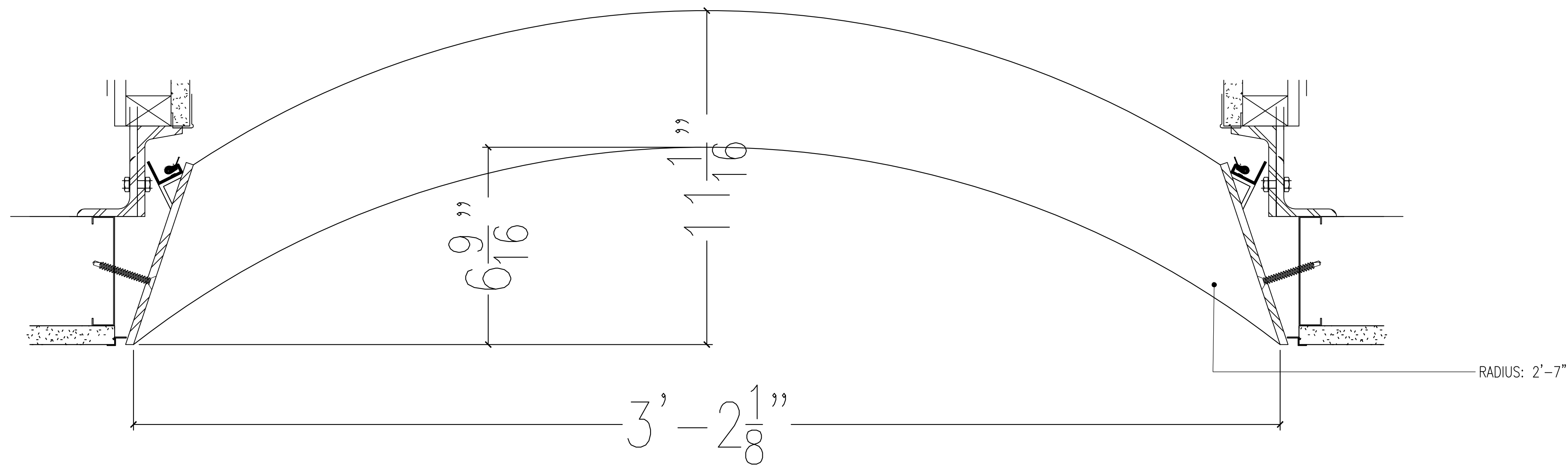
J



K



L



**NOTES:**

1) ALL DIMENSIONS AND LOCATIONS MUST BE V.I.F. PRIOR TO NEWMAT FABRICATION AND INSTALLATION.

3) ALL "BLOCKING BY OTHERS", MUST BE CONTINUOUS, STRAIGHT, LEVEL AND/OR PLUMB AND ABLE TO WITHSTAND 30LBS. PER LINEAR FOOT OF LATERAL TENSION WHICH WILL BE EXERTED BY EACH LAYER OF MEMBRANE.

LEAD TIME: TEN (10) WEEKS FROM RECEIPT OF REQUIRED DEPOSIT, APPROVED SAMPLES, APPROVED SHOP DRAWINGS, AND CONFIRMED MEASUREMENTS.

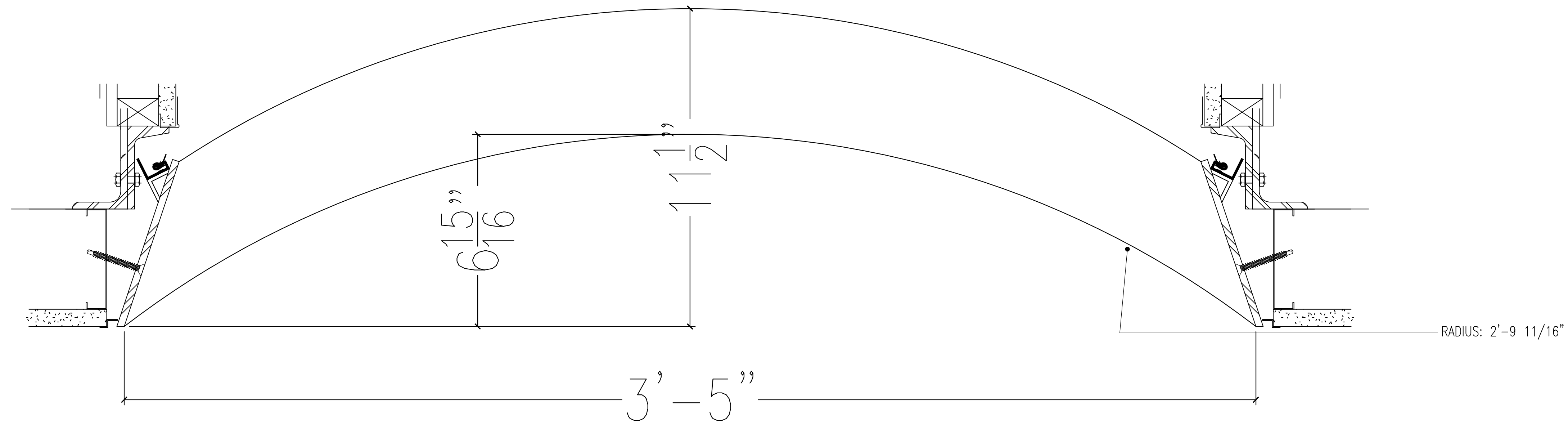
**AS BUILT**  
**4/22/2015**

**NOTICE:**  
THESE DRAWINGS WERE PRODUCED BY AND ARE THE SOLE PROPERTY OF NEWMAT USA LTD ANY AND ALL INFORMATION CONTAINED HEREIN SHALL NOT BE USED BY ANY OTHER PERSON OR COMPANY WITHOUT THE EXPRESSED WRITTEN CONSENT OF NEWMAT USA LTD. THE DRAWINGS MAY HAVE BEEN BASED ON CONSTRUCTION DRAWINGS NOT PREPARED BY NEWMAT USA LTD THEREFORE MAY NOT REPRESENT THE CONDITIONS AS CONSTRUCTED AT THAT TIME.

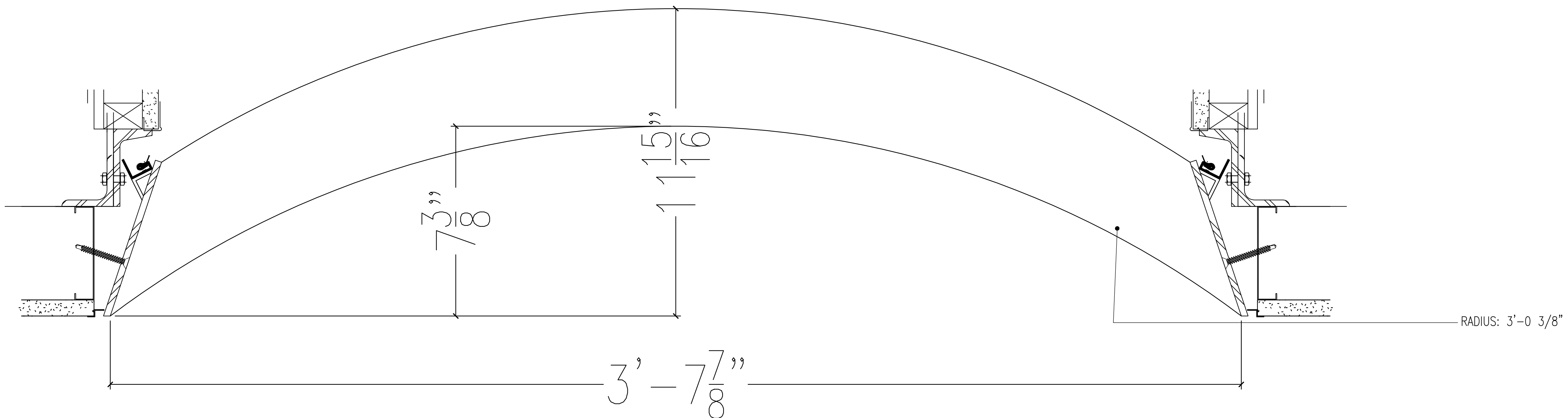
**NEWMAT**  
**NORTHEAST CORP.**  
*newmat*  
**STRETCH CEILING SYSTEMS**

#	REVISIONS:	Drawn By	Checked By	81 MAHAN STREET, WEST BABYLON, NY 11704 TEL. (631) 261 1498 FAX (631) 261 1756	Scale:	Drawn By:
A	8/8/2013	R.K.		Drawing Title: SECTIONS	AS NOTED	R.K.
B	10/10/2013	R.K.		Job Title: 7 BRYANT PARK	Job Number: 13-000	Checked By:
C	10/11/2013	R.K.		Customer Name:	Date: 8/2/2013	
D	10/15/2013	R.K.		1045 AVENUE OF THE AMERICAS NEW YORK, NY	Drawing Number: A-07	
E	10/21/2014	R.K.				

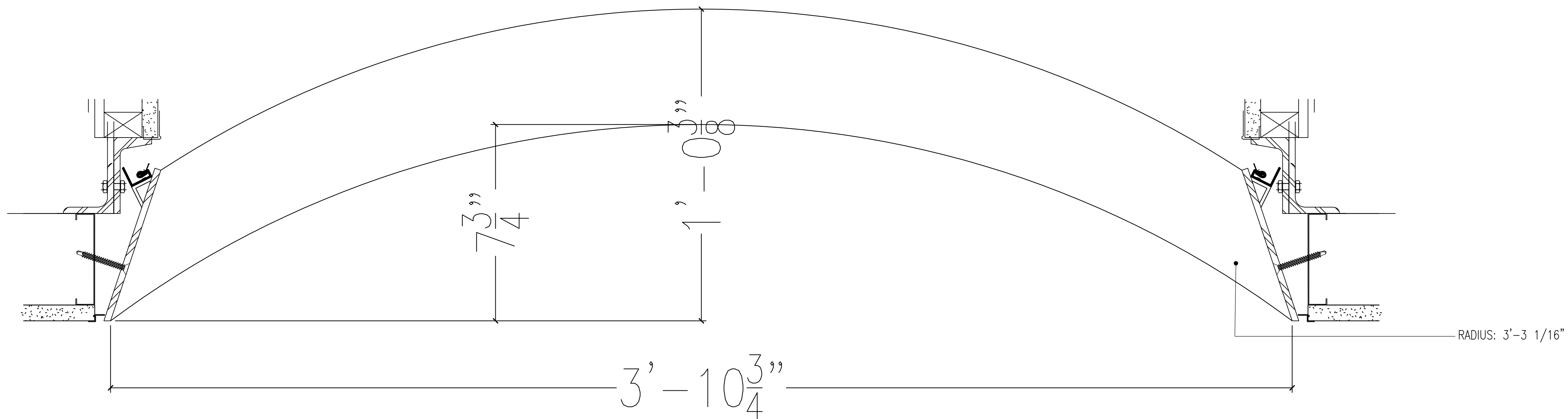
M



N



O



**NOTES:**  
 1) ALL DIMENSIONS AND LOCATIONS MUST BE V.I.F. PRIOR TO NEWMAT FABRICATION AND INSTALLATION.  
 3) ALL "BLOCKING BY OTHERS", MUST BE CONTINUOUS, STRAIGHT, LEVEL AND/OR PLUMB AND ABLE TO WITHSTAND 30LBS. PER LINEAR FOOT OF LATERAL TENSION WHICH WILL BE EXERTED BY EACH LAYER OF MEMBRANE.

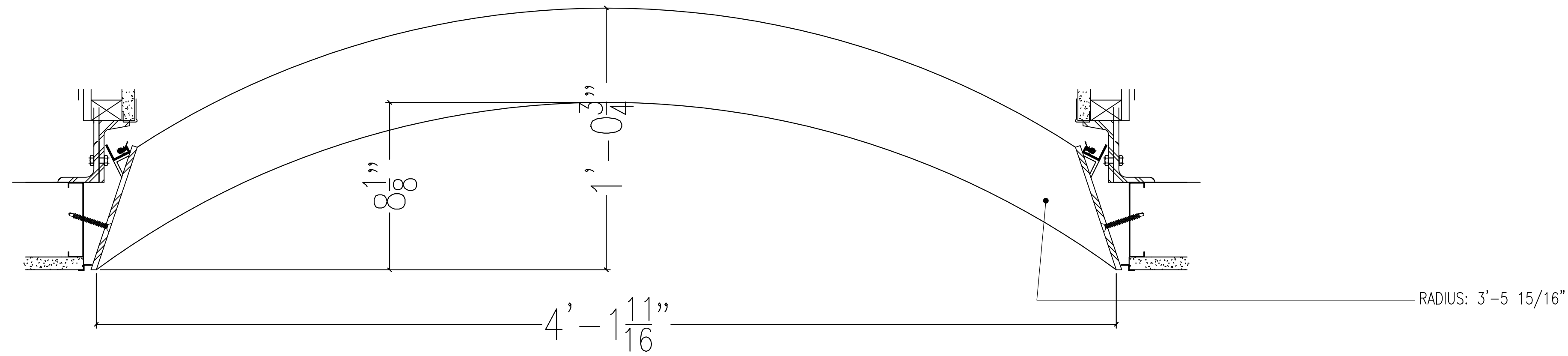
LEAD TIME: TEN (10) WEEKS FROM RECEIPT OF REQUIRED DEPOSIT, APPROVED SAMPLES, APPROVED SHOP DRAWINGS, AND CONFIRMED MEASUREMENTS.

**AS BUILT**  
**4/22/2015**

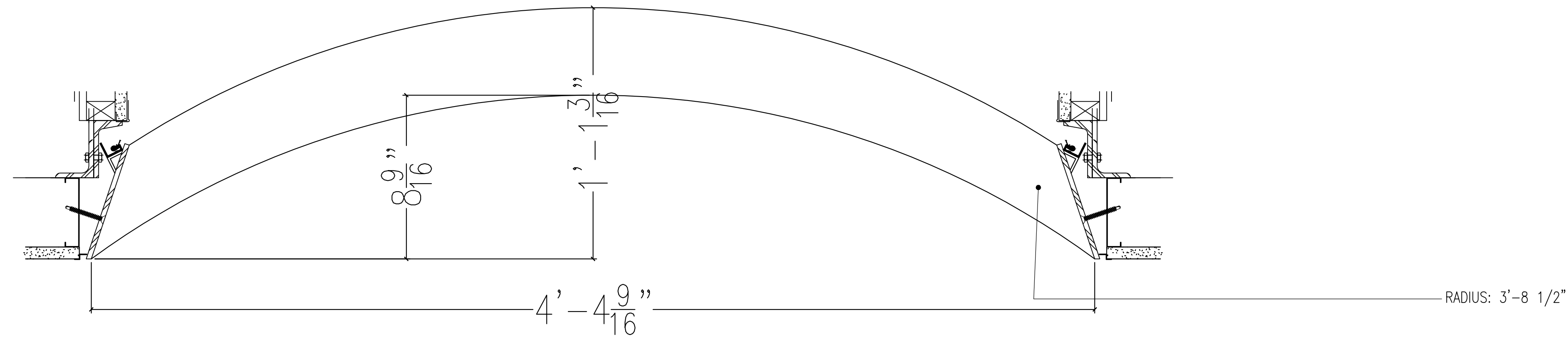
**NOTICE:**  
 THESE DRAWINGS WERE PRODUCED BY AND ARE THE SOLE PROPERTY OF NEWMAT USA LTD ANY AND ALL INFORMATION CONTAINED HEREIN SHALL NOT BE USED BY ANY OTHER PERSON OR COMPANY WITHOUT THE EXPRESSED WRITTEN CONSENT OF NEWMAT USA LTD. THE DRAWINGS MAY HAVE BEEN BASED ON CONSTRUCTION DRAWINGS NOT PREPARED BY NEWMAT USA LTD THEREFORE MAY NOT REPRESENT THE CONDITIONS AS CONSTRUCTED AT THAT TIME.

<b>NEWMAT</b> <b>NORTHEAST CORP.</b> <b>STRETCH CEILING SYSTEMS</b>	#	REVISIONS:	Drawn By	Checked By	81 MAHAN STREET, WEST BABYLON, NY 11704 TEL. (631) 261 1498 FAX (631) 261 1756	Scale:	Drawn By:
	A	8/8/2013	R.K.		Drawing Title:	AS NOTED	R.K.
	B	10/10/2013	R.K.		Job Title:		Checked By:
	C	10/11/2013	R.K.		Customer Name:		Job Number:
	D	10/15/2013	R.K.		1045 AVENUE OF THE AMERICAS NEW YORK, NY	13-000	Date:
E	10/21/2014	R.K.			8/2/2013	Drawing Number:	
						A-08	

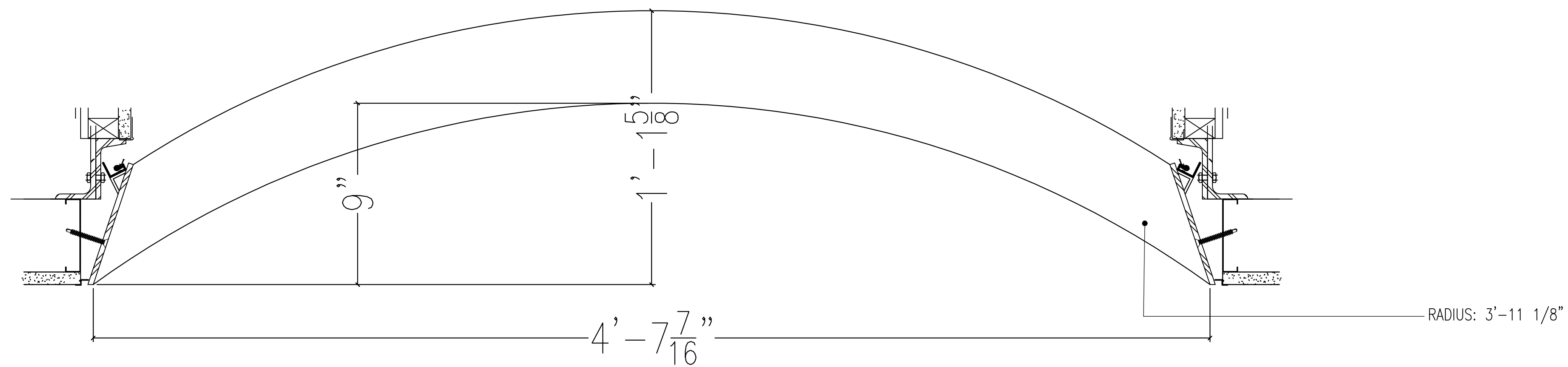
P



Q



R



**NOTES:**

1) ALL DIMENSIONS AND LOCATIONS MUST BE V.I.F. PRIOR TO NEWMAT FABRICATION AND INSTALLATION.

3) ALL "BLOCKING BY OTHERS", MUST BE CONTINUOUS, STRAIGHT, LEVEL AND/OR PLUMB AND ABLE TO WITHSTAND 30LBS. PER LINEAR FOOT OF LATERAL TENSION WHICH WILL BE EXERTED BY EACH LAYER OF MEMBRANE.

LEAD TIME: TEN (10) WEEKS FROM RECEIPT OF REQUIRED DEPOSIT, APPROVED SAMPLES, APPROVED SHOP DRAWINGS, AND CONFIRMED MEASUREMENTS.

**AS BUILT**  
**4/22/2015**

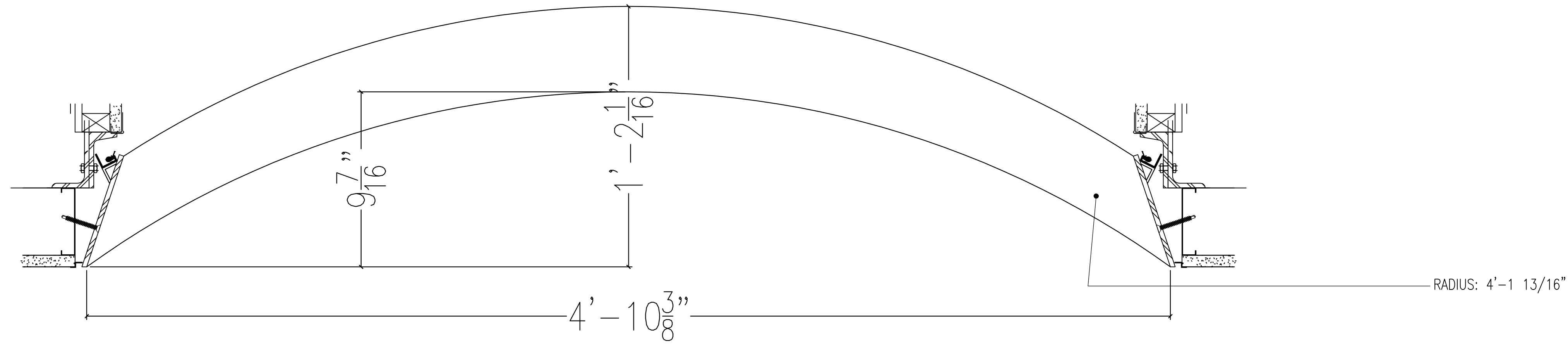
**NOTICE:**  
THESE DRAWINGS WERE PRODUCED BY AND ARE THE SOLE PROPERTY OF NEWMAT USA LTD ANY AND ALL INFORMATION CONTAINED HEREIN SHALL NOT BE USED BY ANY OTHER PERSON OR COMPANY WITHOUT THE EXPRESSED WRITTEN CONSENT OF NEWMAT USA LTD. THE DRAWINGS MAY HAVE BEEN BASED ON CONSTRUCTION DRAWINGS NOT PREPARED BY NEWMAT USA LTD THEREFORE MAY NOT REPRESENT THE CONDITIONS AS CONSTRUCTED AT THAT TIME.

**NEWMAT**  
**NORTHEAST CORP.**  
*newmat*  
**STRETCH CEILING SYSTEMS**

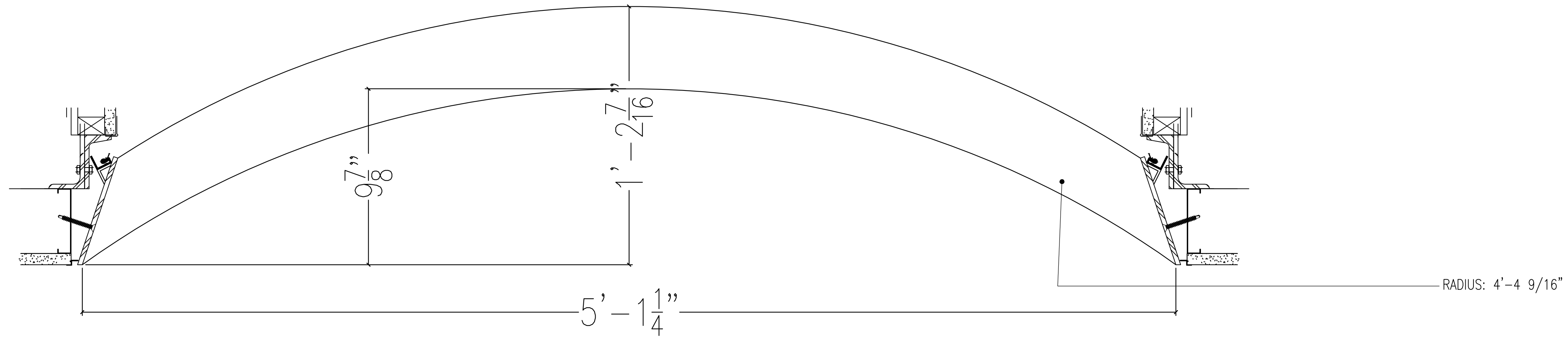
#	REVISIONS DATE	Drawn By	Checked By	81 MAHAN STREET, WEST BABYLON, NY 11704 TEL. (631) 261 1498 FAX (631) 261 1756
A	8/8/2013	R.K.		Drawing Title: SECTIONS
B	10/10/2013	R.K.		Job Title: 7 BRYANT PARK
C	10/11/2013	R.K.		Customer Name:
D	10/15/2013	R.K.		1045 AVENUE OF THE AMERICAS NEW YORK, NY
E	10/21/2014	R.K.		

Scale:	AS NOTED	Drawn By:	R.K.
Job Number:	13-000	Checked By:	
Date:	8/2/2013		
Drawing Number:	A-09		

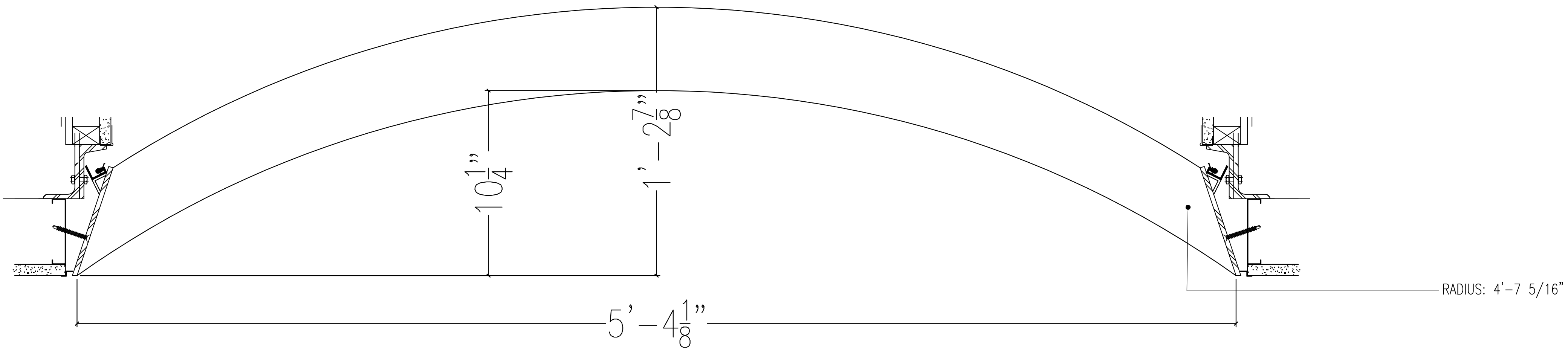
S



T



U



**NOTES:**

1) ALL DIMENSIONS AND LOCATIONS MUST BE V.I.F. PRIOR TO NEWMAT FABRICATION AND INSTALLATION.

3) ALL "BLOCKING BY OTHERS", MUST BE CONTINUOUS, STRAIGHT, LEVEL AND/OR PLUMB AND ABLE TO WITHSTAND 30LBS. PER LINEAR FOOT OF LATERAL TENSION WHICH WILL BE EXERTED BY EACH LAYER OF MEMBRANE.

LEAD TIME: TEN (10) WEEKS FROM RECEIPT OF REQUIRED DEPOSIT, APPROVED SAMPLES, APPROVED SHOP DRAWINGS, AND CONFIRMED MEASUREMENTS.

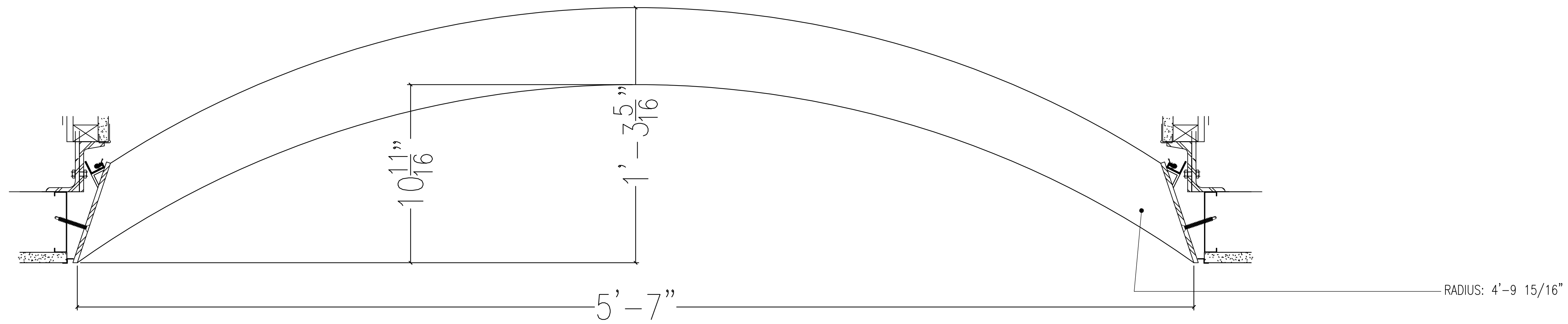
**AS BUILT**  
**4/22/2015**

**NOTICE:**  
THESE DRAWINGS WERE PRODUCED BY AND ARE THE SOLE PROPERTY OF NEWMAT USA LTD ANY AND ALL INFORMATION CONTAINED HEREIN SHALL NOT BE USED BY ANY OTHER PERSON OR COMPANY WITHOUT THE EXPRESSED WRITTEN CONSENT OF NEWMAT USA LTD. THE DRAWINGS MAY HAVE BEEN BASED ON CONSTRUCTION DRAWINGS NOT PREPARED BY NEWMAT USA LTD THEREFORE MAY NOT REPRESENT THE CONDITIONS AS CONSTRUCTED AT THAT TIME.

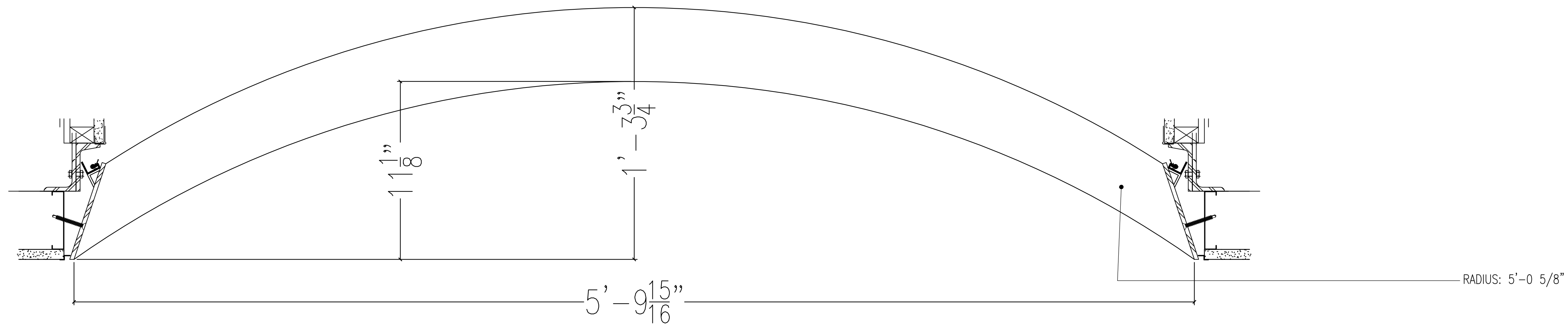
**NEWMAT**  
**NORTHEAST CORP.**  
*newmat*  
**STRETCH CEILING SYSTEMS**

#	REVISIONS:	DATE	Drawn By	Checked By	81 MAHAN STREET, WEST BABYLON, NY 11704 TEL. (631) 261 1498 FAX (631) 261 1756	Scale:	Drawn By:
A	8/8/2013	R.K.			Drawing Title: SECTIONS	AS NOTED	R.K.
B	10/10/2013	R.K.			Job Title: 7 BRYANT PARK		
C	10/11/2013	R.K.			Customer Name:		
D	10/15/2013	R.K.			1045 AVENUE OF THE AMERICAS NEW YORK, NY	Job Number: 13-000	Date: 8/2/2013
E	10/21/2014	R.K.				Drawing Number: A-10	

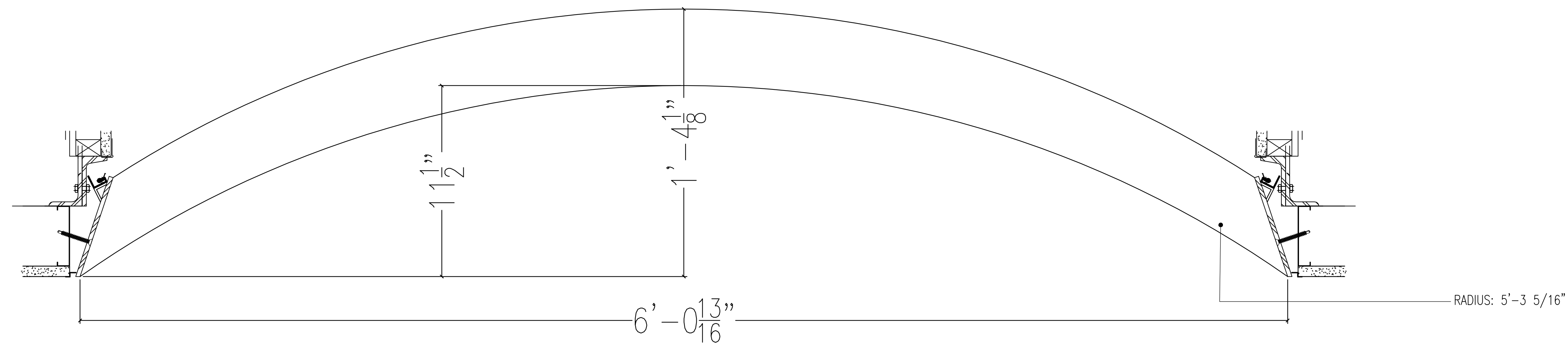
V



W



X



**NOTES:**  
 1) ALL DIMENSIONS AND LOCATIONS MUST BE V.I.F. PRIOR TO NEWMAT FABRICATION AND INSTALLATION.  
 3) ALL "BLOCKING BY OTHERS", MUST BE CONTINUOUS, STRAIGHT, LEVEL AND/OR PLUMB AND ABLE TO WITHSTAND 30LBS. PER LINEAR FOOT OF LATERAL TENSION WHICH WILL BE EXERTED BY EACH LAYER OF MEMBRANE.

LEAD TIME: TEN (10) WEEKS FROM RECEIPT OF REQUIRED DEPOSIT, APPROVED SAMPLES, APPROVED SHOP DRAWINGS, AND CONFIRMED MEASUREMENTS.

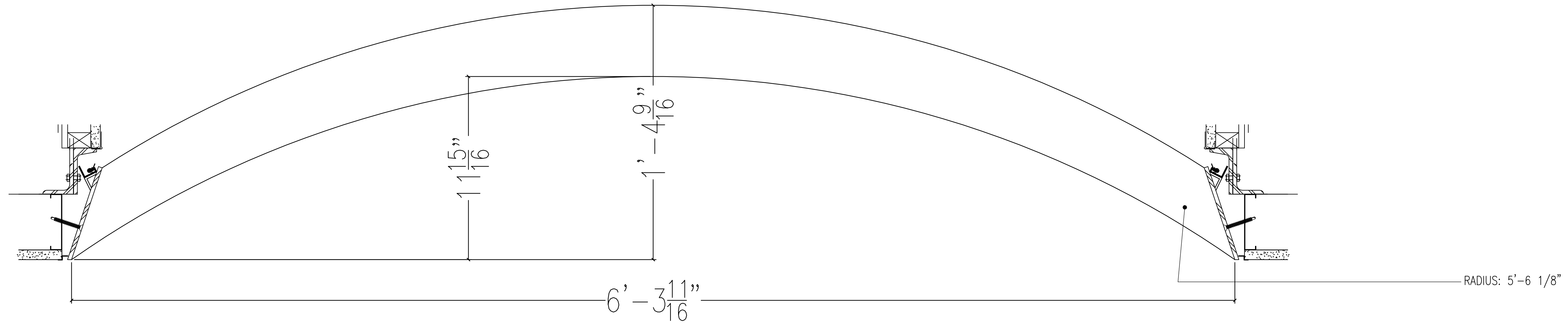
**AS BUILT**  
**4/22/2015**

**NOTICE:**  
 THESE DRAWINGS WERE PRODUCED BY AND ARE THE SOLE PROPERTY OF NEWMAT USA LTD ANY AND ALL INFORMATION CONTAINED HEREIN SHALL NOT BE USED BY ANY OTHER PERSON OR COMPANY WITHOUT THE EXPRESSED WRITTEN CONSENT OF NEWMAT USA LTD. THE DRAWINGS MAY HAVE BEEN BASED ON CONSTRUCTION DRAWINGS NOT PREPARED BY NEWMAT USA LTD THEREFORE MAY NOT REPRESENT THE CONDITIONS AS CONSTRUCTED AT THAT TIME.

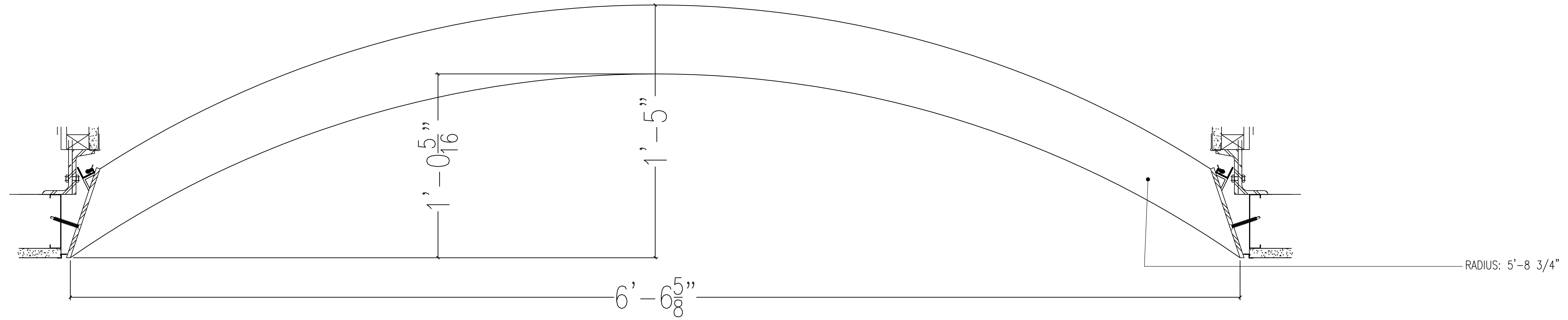
**NEWMAT**  
**NORTHEAST CORP.**  
*newmat*  
**STRETCH CEILING SYSTEMS**

#	REVISIONS DATE	Drawn By	Checked By	81 MAHAN STREET, WEST BABYLON, NY 11704 TEL. (631) 261 1498 FAX (631) 261 1756	Scale:	Drawn By:
A	8/8/2013	R.K.		Drawing Title: SECTIONS	AS NOTED	R.K.
B	10/10/2013	R.K.		Job Title: 7 BRYANT PARK	Job Number: 13-000	Checked By:
C	10/11/2013	R.K.		Customer Name:	Date: 8/2/2013	
D	10/15/2013	R.K.		1045 AVENUE OF THE AMERICAS NEW YORK, NY	Drawing Number: A-11	
E	10/21/2014	R.K.				

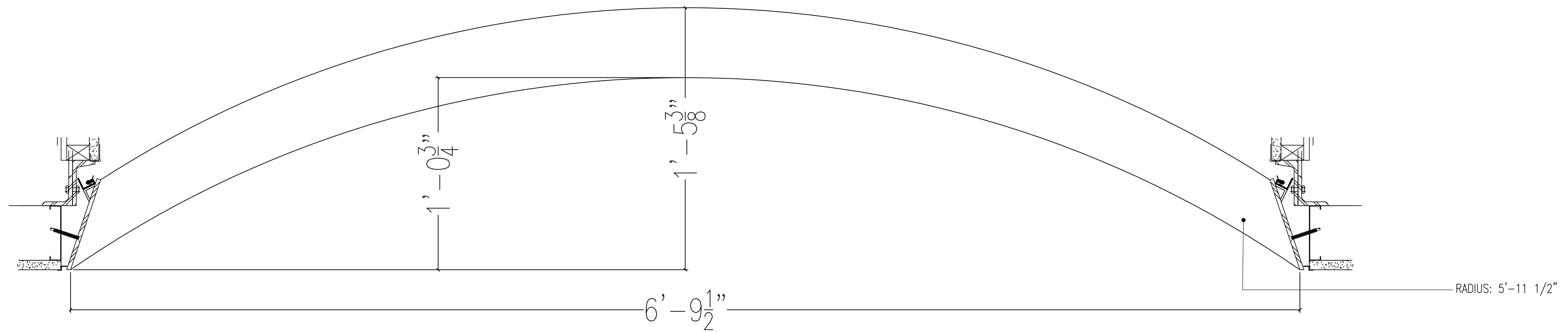
Y



Z



A2



**NOTES:**  
 1) ALL DIMENSIONS AND LOCATIONS MUST BE V.I.F. PRIOR TO NEWMAT FABRICATION AND INSTALLATION.  
 3) ALL "BLOCKING BY OTHERS", MUST BE CONTINUOUS, STRAIGHT, LEVEL AND/OR PLUMB AND ABLE TO WITHSTAND 30LBS. PER LINEAR FOOT OF LATERAL TENSION WHICH WILL BE EXERTED BY EACH LAYER OF MEMBRANE.

LEAD TIME: TEN (10) WEEKS FROM RECEIPT OF REQUIRED DEPOSIT, APPROVED SAMPLES, APPROVED SHOP DRAWINGS, AND CONFIRMED MEASUREMENTS.

**AS BUILT**  
**4/22/2015**

**NOTICE:**  
 THESE DRAWINGS WERE PRODUCED BY AND ARE THE SOLE PROPERTY OF NEWMAT USA LTD AND ALL INFORMATION CONTAINED HEREIN SHALL NOT BE USED BY ANY OTHER PERSON OR COMPANY WITHOUT THE EXPRESSED WRITTEN CONSENT OF NEWMAT USA LTD. THE DRAWINGS MAY HAVE BEEN BASED ON CONSTRUCTION DRAWINGS NOT PREPARED BY NEWMAT USA LTD . THEREFORE MAY NOT REPRESENT THE CONDITIONS AS CONSTRUCTED AT THAT TIME.

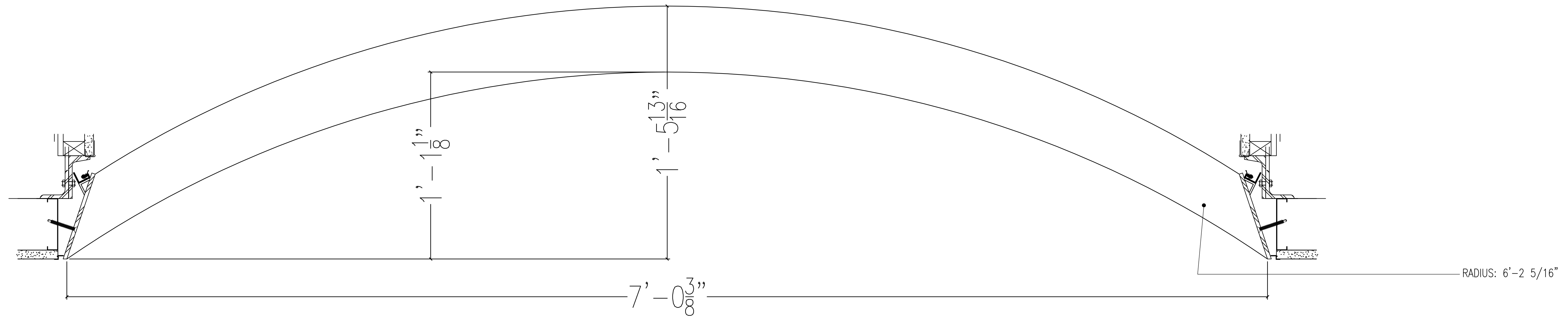
**NEWMAT**  
**NORTHEAST CORP.**  
  
**STRETCH CEILING SYSTEMS**

#	REVISIONS DATE	Drawn By	Checked By
A	8/8/2013	R.K.	
B	10/10/2013	R.K.	
C	10/11/2013	R.K.	
D	10/15/2013	R.K.	
E	10/21/2014	R.K.	

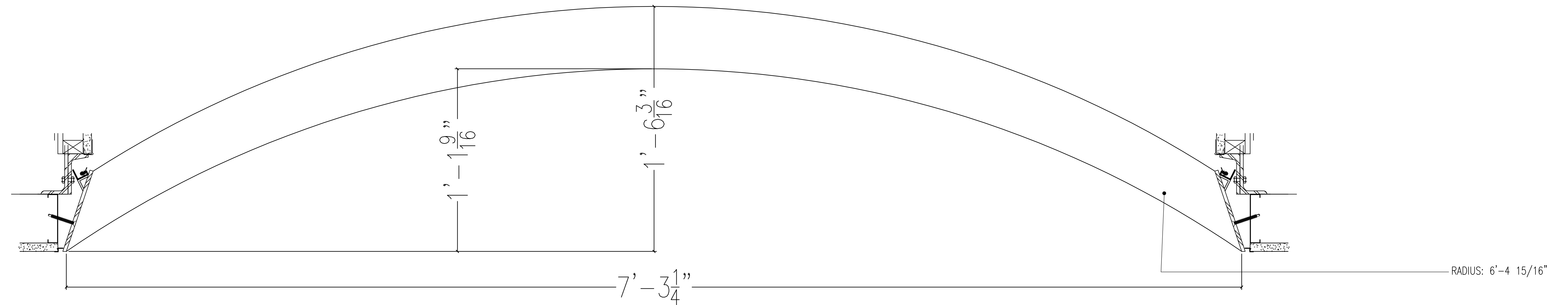
81 MAHAN STREET, WEST BABYLON, NY 11704  
 TEL. (631) 261 1498 FAX (631) 261 1756  
 Drawing Title:  
**SECTIONS**  
 Job Title:  
**7 BRYANT PARK**  
 Customer Name:  
 1045 AVENUE OF THE AMERICAS  
 NEW YORK, NY

Scale:	AS NOTED	Drawn By:	R.K.
Job Number:	13-000	Checked By:	
Date:	8/2/2013		
Drawing Number:	A-12		

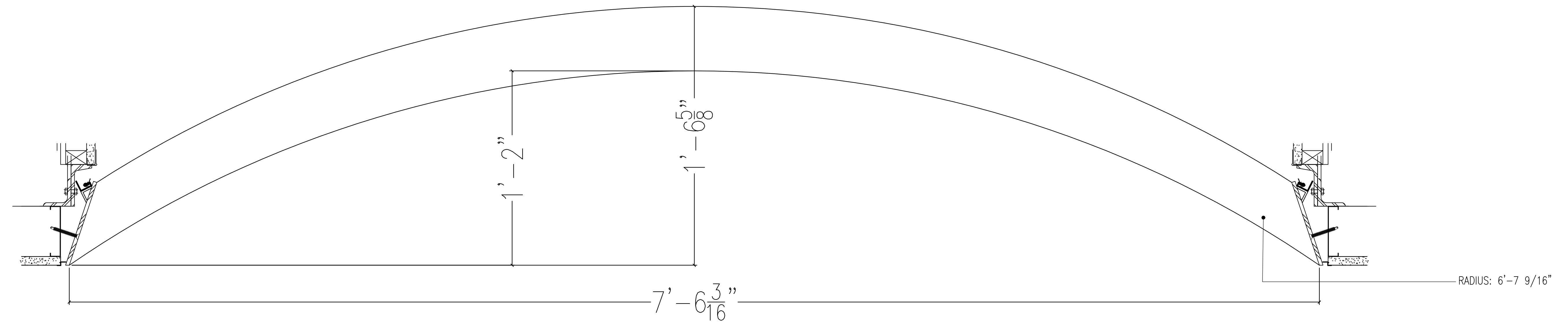
# B2



# C2



# D2



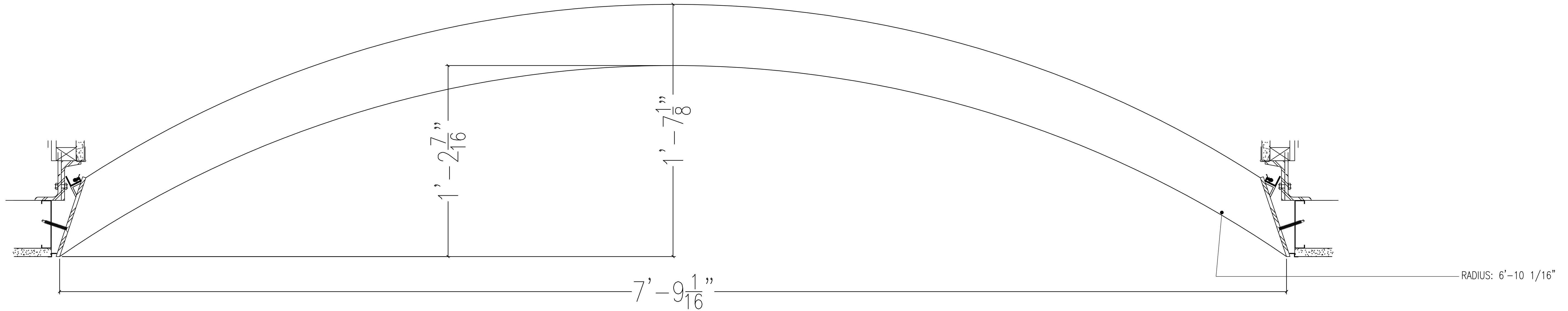
**NOTES:**  
 1) ALL DIMENSIONS AND LOCATIONS MUST BE V.I.F. PRIOR TO NEWMAT FABRICATION AND INSTALLATION.  
 3) ALL "BLOCKING BY OTHERS", MUST BE CONTINUOUS, STRAIGHT, LEVEL AND/OR PLUMB AND ABLE TO WITHSTAND 30LBS. PER LINEAR FOOT OF LATERAL TENSION WHICH WILL BE EXERTED BY EACH LAYER OF MEMBRANE.

LEAD TIME: TEN (10) WEEKS FROM RECEIPT OF REQUIRED DEPOSIT, APPROVED SAMPLES, APPROVED SHOP DRAWINGS, AND CONFIRMED MEASUREMENTS.

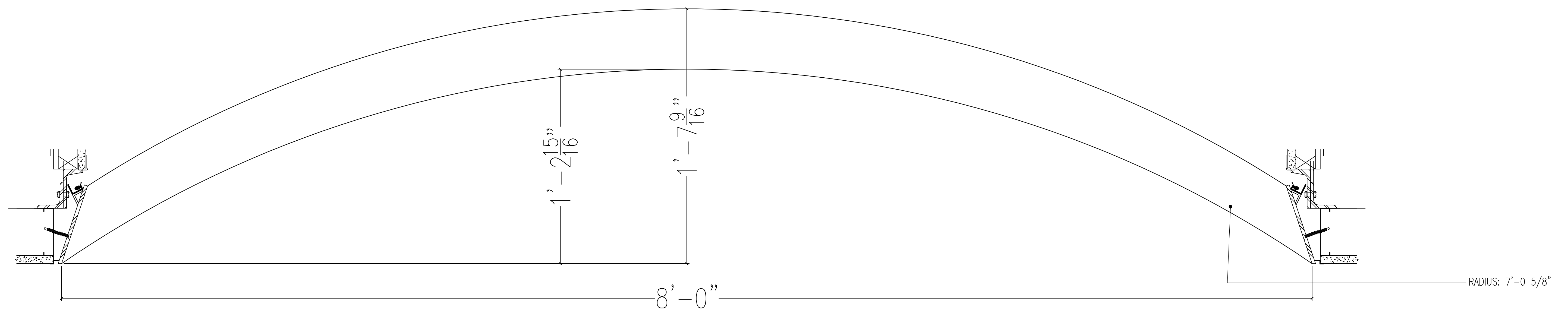
**AS BUILT**  
**4/22/2015**

<b>NOTICE:</b> THESE DRAWINGS WERE PRODUCED BY AND ARE THE SOLE PROPERTY OF NEWMAT USA LTD ANY AND ALL INFORMATION CONTAINED HEREIN SHALL NOT BE USED BY ANY OTHER PERSON OR COMPANY WITHOUT THE EXPRESSED WRITTEN CONSENT OF NEWMAT USA LTD. THE DRAWINGS MAY HAVE BEEN BASED ON CONSTRUCTION DRAWINGS NOT PREPARED BY NEWMAT USA LTD THEREFORE MAY NOT REPRESENT THE CONDITIONS AS CONSTRUCTED AT THAT TIME.				81 MAHAN STREET, WEST BABYLON, NY 11704 TEL. (631) 261 1498 FAX (631) 261 1756		Scale: AS NOTED	Drawn By: R.K.
<b>NEWMAT</b> <b>NORTHEAST CORP.</b> <b>STRETCH CEILING SYSTEMS</b>	#	REVISIONS:	Drawn By	Checked By	Job Title:	Job Number:	Date:
	A	8/8/2013	R.K.		SECTIONS	13-000	8/2/2013
	B	10/10/2013	R.K.		7 BRYANT PARK		
	C	10/11/2013	R.K.		Customer Name:		
	D	10/15/2013	R.K.		1045 AVENUE OF THE AMERICAS NEW YORK, NY		
E	10/21/2014	R.K.					

E2



F2



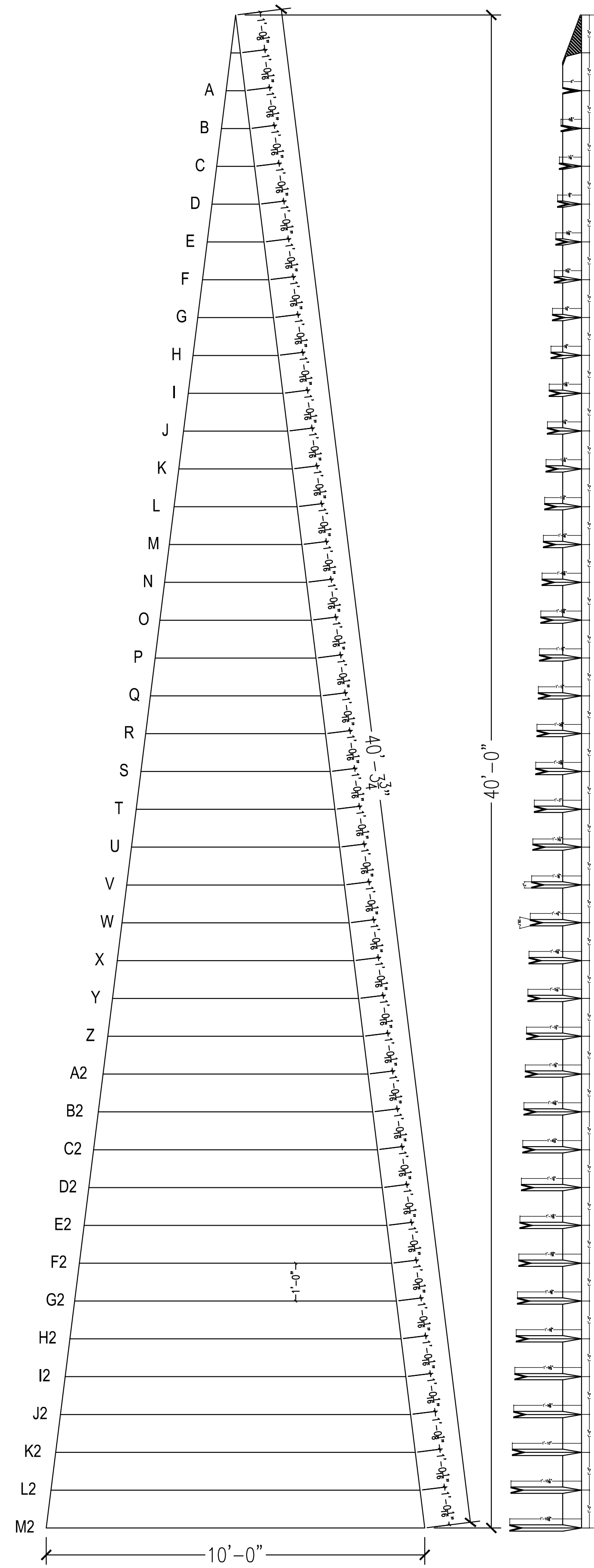
**NOTES:**  
 1) ALL DIMENSIONS AND LOCATIONS MUST BE V.I.F. PRIOR TO NEWMAT FABRICATION AND INSTALLATION.  
 3) ALL "BLOCKING BY OTHERS", MUST BE CONTINUOUS, STRAIGHT, LEVEL AND/OR PLUMB AND ABLE TO WITHSTAND 30LBS. PER LINEAR FOOT OF LATERAL TENSION WHICH WILL BE EXERTED BY EACH LAYER OF MEMBRANE.

LEAD TIME: TEN (10) WEEKS FROM RECEIPT OF REQUIRED DEPOSIT, APPROVED SAMPLES, APPROVED SHOP DRAWINGS, AND CONFIRMED MEASUREMENTS.

AS BUILT  
 4/22/2015

**NOTICE:**  
 THESE DRAWINGS WERE PRODUCED BY AND ARE THE SOLE PROPERTY OF NEWMAT USA LTD ANY AND ALL INFORMATION CONTAINED HEREIN SHALL NOT BE USED BY ANY OTHER PERSON OR COMPANY WITHOUT THE EXPRESSED WRITTEN CONSENT OF NEWMAT USA LTD. THE DRAWINGS MAY HAVE BEEN BASED ON CONSTRUCTION DRAWINGS NOT PREPARED BY NEWMAT USA LTD . THEREFORE MAY NOT REPRESENT THE CONDITIONS AS CONSTRUCTED AT THAT TIME.

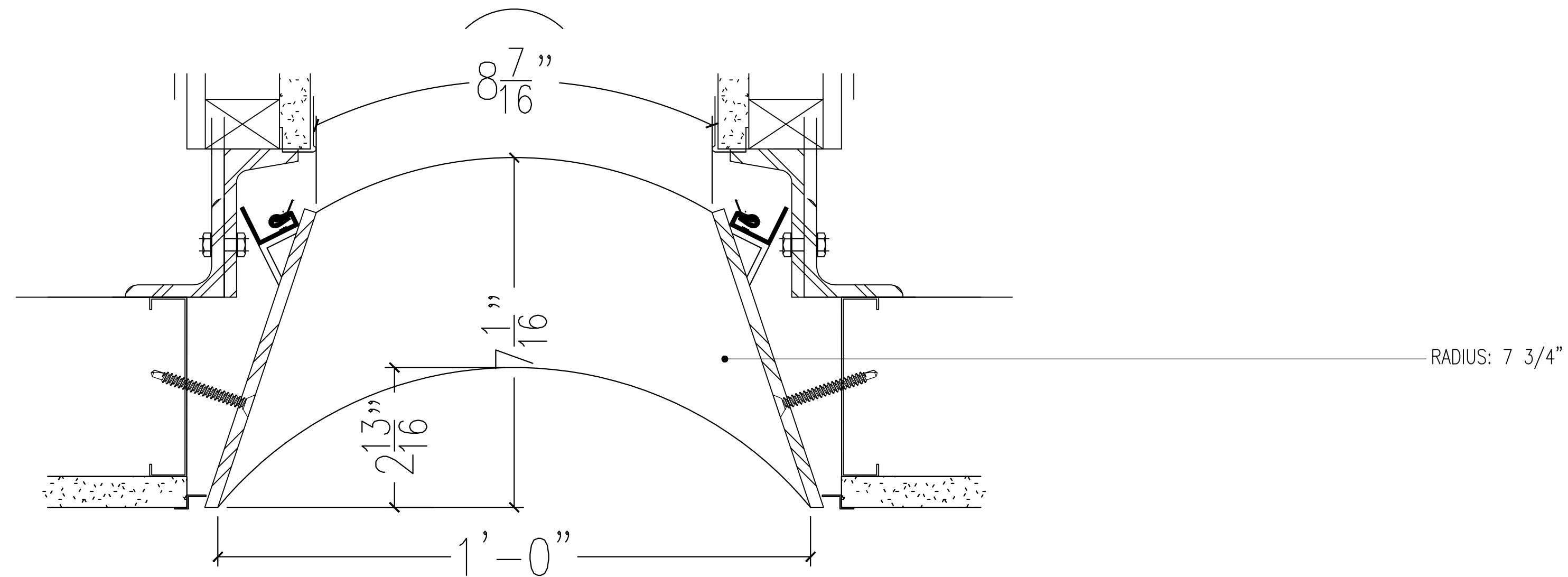
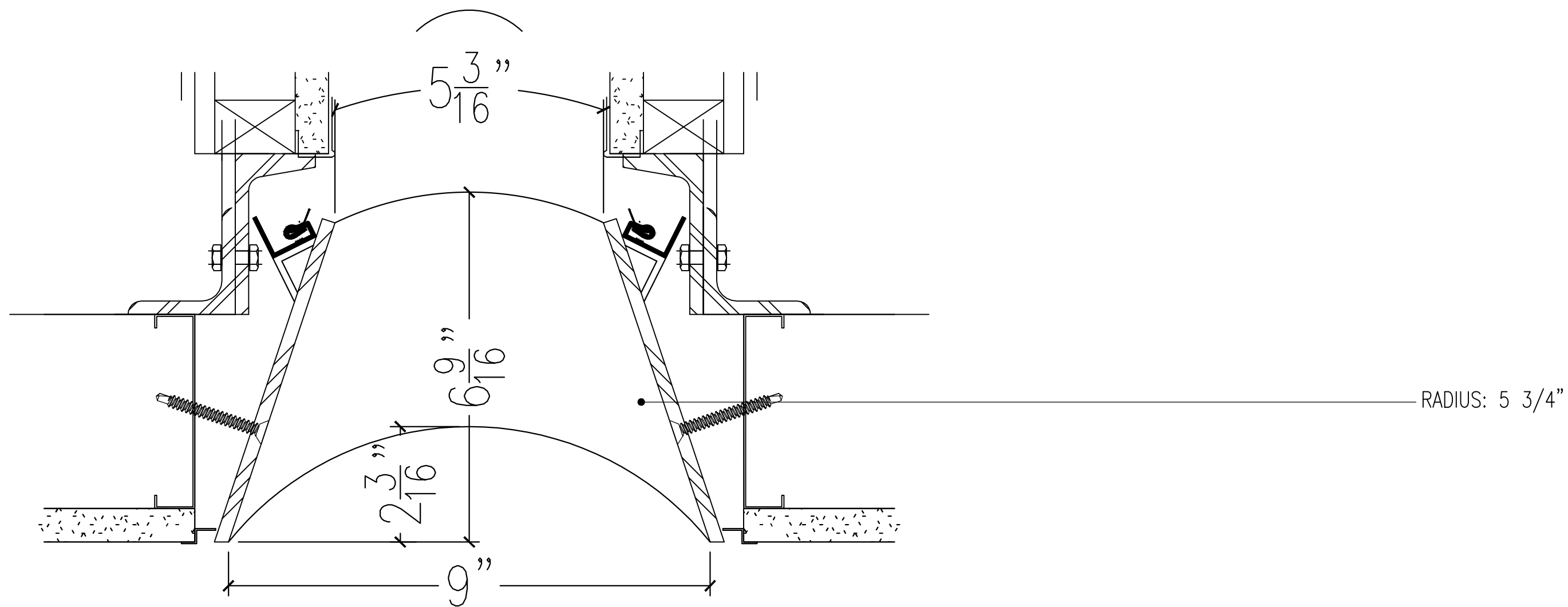
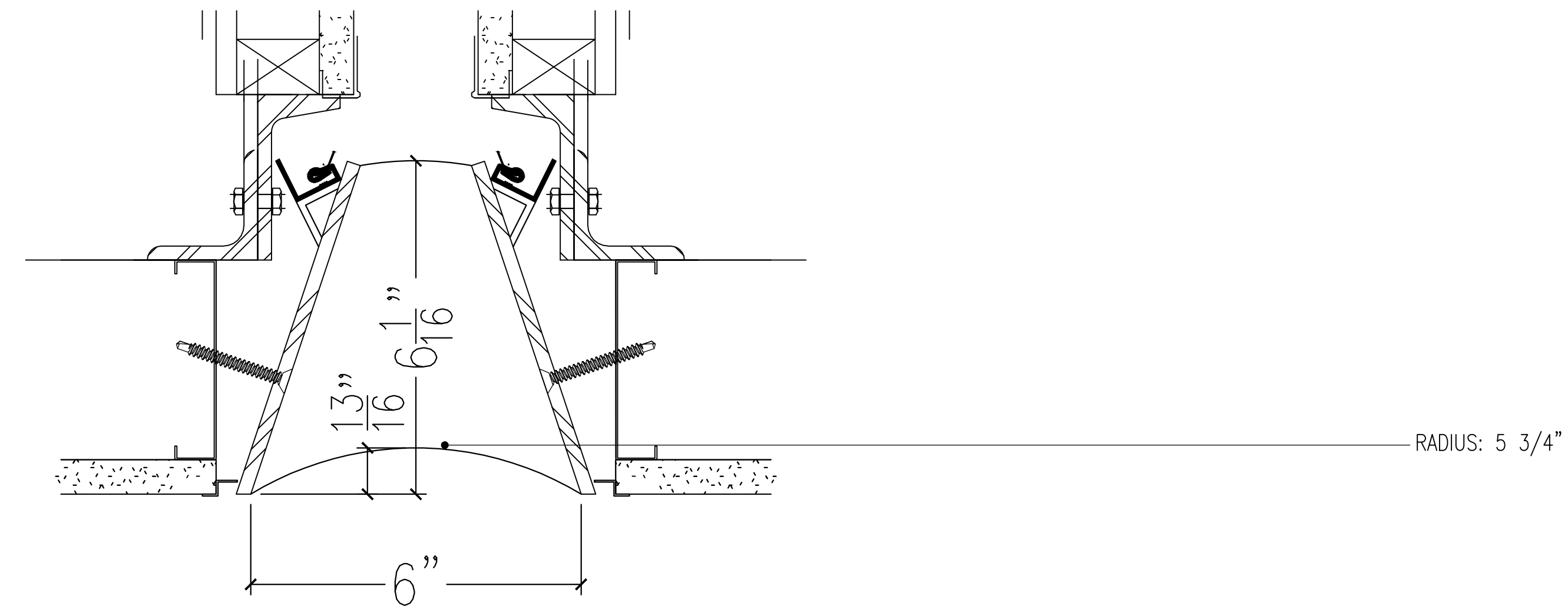
<b>NEWMAT</b> <b>NORTHEAST CORP.</b>  <b>STRETCH CEILING SYSTEMS</b>	#	REVISIONS:	Drawn By	Checked By	81 MAHAN STREET, WEST BABYLON, NY 11704 TEL. (631) 261 1498 FAX (631) 261 1756	Scale:	Drawn By:
	A	8/8/2013	R.K.		Drawing Title:	AS NOTED	R.K.
	B	10/10/2013	R.K.		Job Title:		Checked By:
	C	10/11/2013	R.K.		Customer Name:		Job Number:
	D	10/15/2013	R.K.		1045 AVENUE OF THE AMERICAS NEW YORK, NY		Date:
E	10/21/2014	R.K.				13-000	8/2/2013
						Drawing Number:	A-14



**A**

**B**

**C**



**1 PARTIAL RCP SOUTH**  
SCALE: NTS

**NOTES:**  
1) ALL DIMENSIONS AND LOCATIONS MUST BE V.I.F. PRIOR TO NEWMAT FABRICATION AND INSTALLATION.  
3) ALL "BLOCKING BY OTHERS", MUST BE CONTINUOUS, STRAIGHT, LEVEL AND/OR PLUMB AND ABLE TO WITHSTAND 30LBS. PER LINEAR FOOT OF LATERAL TENSION WHICH WILL BE EXERTED BY EACH LAYER OF MEMBRANE.

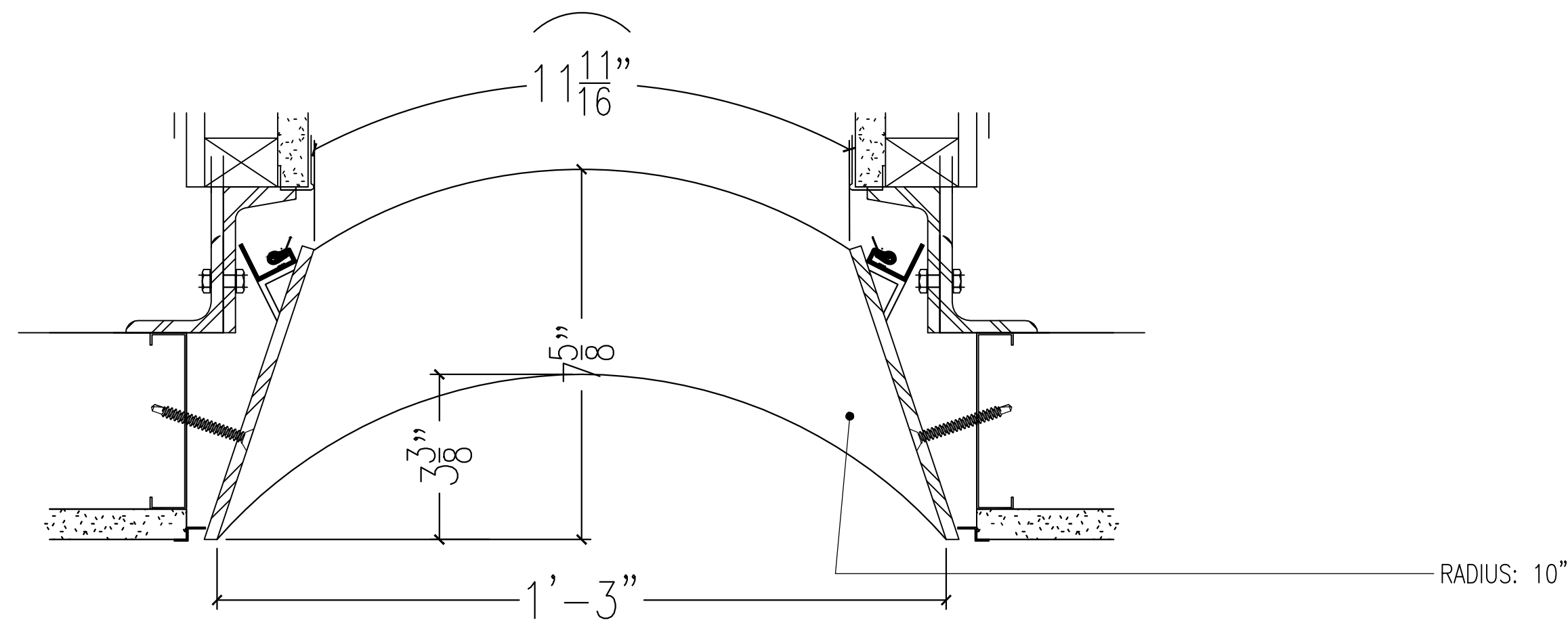
LEAD TIME: TEN (10) WEEKS FROM RECEIPT OF REQUIRED DEPOSIT, APPROVED SAMPLES, APPROVED SHOP DRAWINGS, AND CONFIRMED MEASUREMENTS.

**AS BUILT**  
**4/22/2015**

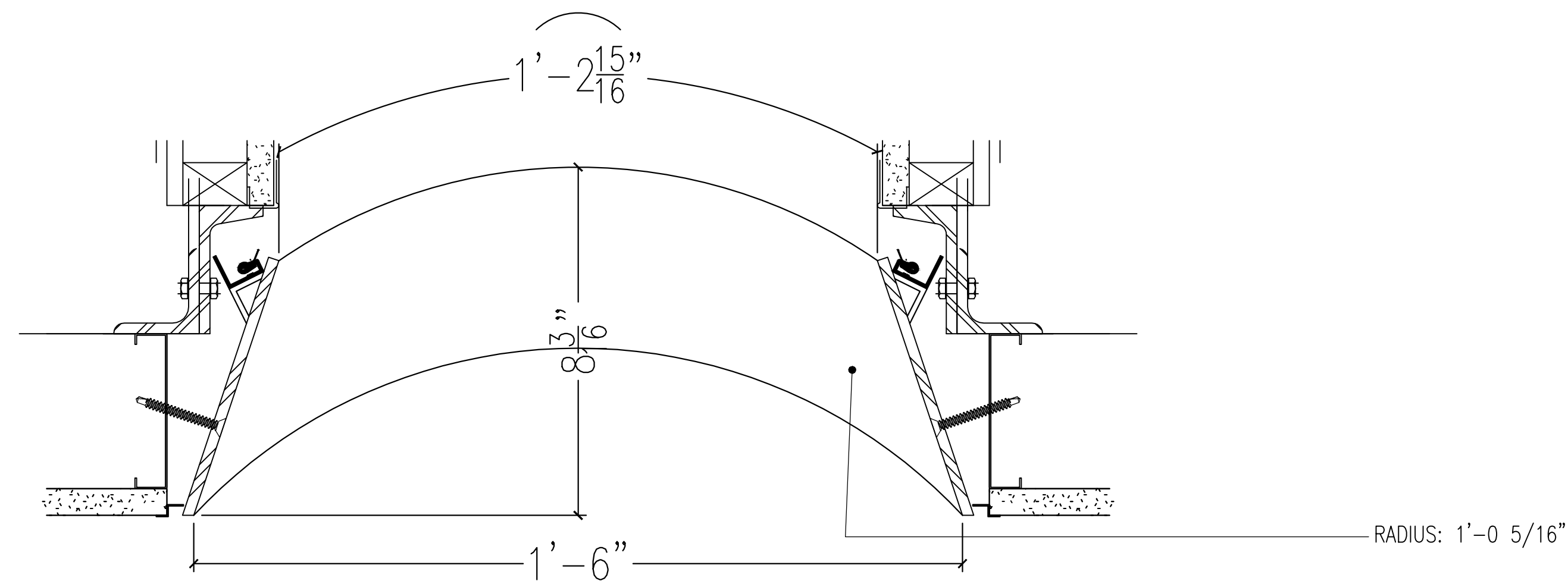
**NOTICE:**  
THESE DRAWINGS WERE PRODUCED BY AND ARE THE SOLE PROPERTY OF NEWMAT USA LTD ANY AND ALL INFORMATION CONTAINED HEREIN SHALL NOT BE USED BY ANY OTHER PERSON OR COMPANY WITHOUT THE EXPRESSED WRITTEN CONSENT OF NEWMAT USA LTD. THE DRAWINGS MAY HAVE BEEN BASED ON CONSTRUCTION DRAWINGS NOT PREPARED BY NEWMAT USA LTD . THEREFORE MAY NOT REPRESENT THE CONDITIONS AS CONSTRUCTED AT THAT TIME.

<b>NEWMAT</b> <b>NORTHEAST CORP.</b>  <b>STRETCH CEILING SYSTEMS</b>	#	REVISIONS:	Drawn	Checked	81 MAHAN STREET, WEST BABYLON, NY 11704 TEL. (631) 261 1498 FAX (631) 261 1756 Drawing Title: <b>SECTIONS</b> Job Title: <b>7 BRYANT PARK</b> Customer Name: 1045 AVENUE OF THE AMERICAS NEW YORK, NY	Scale:	Drawn By:
	A	8/8/2013	R.K.			AS NOTED	R.K.
	B	10/10/2013	R.K.				Checked By:
	C	10/11/2013	R.K.				Job Number:
	D	10/15/2013	R.K.				Date:
E	10/21/2014	R.K.			13-000	8/2/2013	
				Drawing Number:		A-15	

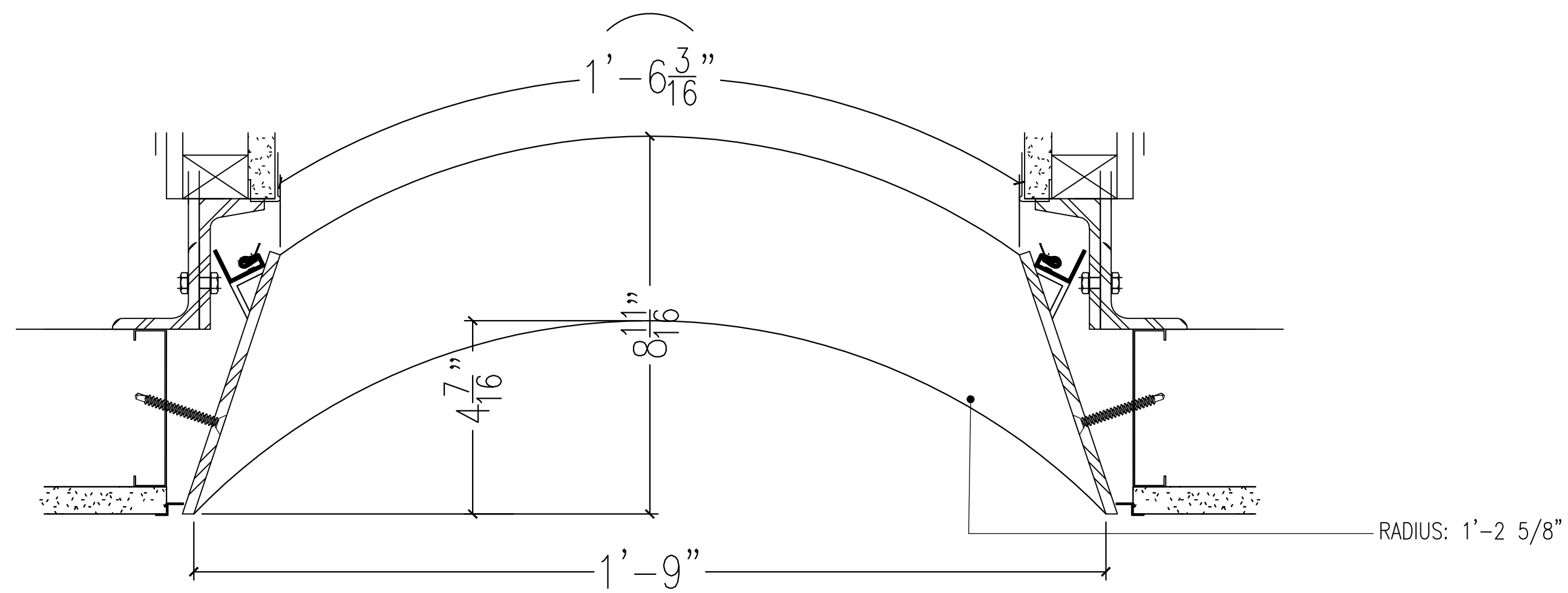
# D



# E



# F



**NOTES:**

1) ALL DIMENSIONS AND LOCATIONS MUST BE V.I.F. PRIOR TO NEWMAT FABRICATION AND INSTALLATION.

3) ALL "BLOCKING BY OTHERS", MUST BE CONTINUOUS, STRAIGHT, LEVEL AND/OR PLUMB AND ABLE TO WITHSTAND 30LBS. PER LINEAR FOOT OF LATERAL TENSION WHICH WILL BE EXERTED BY EACH LAYER OF MEMBRANE.

LEAD TIME: TEN (10) WEEKS FROM RECEIPT OF REQUIRED DEPOSIT, APPROVED SAMPLES, APPROVED SHOP DRAWINGS, AND CONFIRMED MEASUREMENTS.

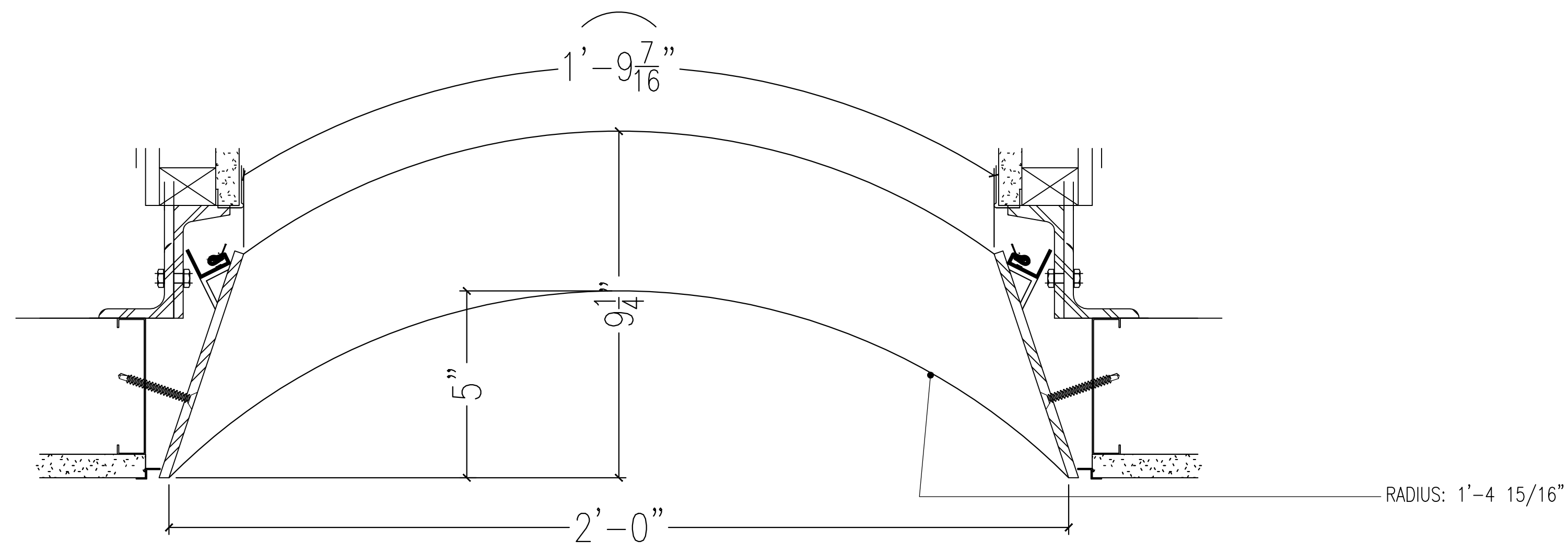
**AS BUILT**  
**4/22/2015**

**NOTICE:**  
THESE DRAWINGS WERE PRODUCED BY AND ARE THE SOLE PROPERTY OF NEWMAT USA LTD ANY AND ALL INFORMATION CONTAINED HEREIN SHALL NOT BE USED BY ANY OTHER PERSON OR COMPANY WITHOUT THE EXPRESSED WRITTEN CONSENT OF NEWMAT USA LTD. THE DRAWINGS MAY HAVE BEEN BASED ON CONSTRUCTION DRAWINGS NOT PREPARED BY NEWMAT USA LTD . THEREFORE MAY NOT REPRESENT THE CONDITIONS AS CONSTRUCTED AT THAT TIME.

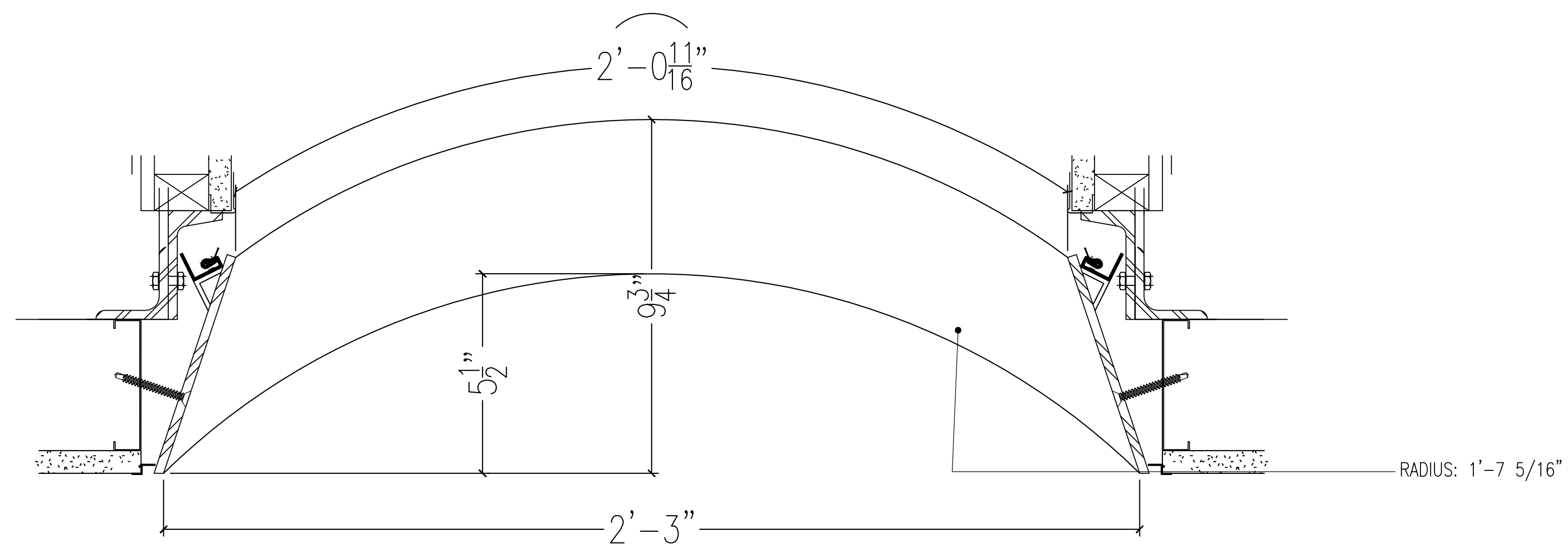
**NEWMAT**  
**NORTHEAST CORP.**  
*newmat*  
**STRETCH CEILING SYSTEMS**

#	REVISIONS:	DATE	Drawn By	Checked By	81 MAHAN STREET, WEST BABYLON, NY 11704 TEL. (631) 261 1498 FAX (631) 261 1756	Scale:	Drawn By:
A	8/8/2013	R.K.			Drawing Title: SECTIONS	AS NOTED	R.K.
B	10/10/2013	R.K.			Job Title: 7 BRYANT PARK		
C	10/11/2013	R.K.			Customer Name:		
D	10/15/2013	R.K.			1045 AVENUE OF THE AMERICAS NEW YORK, NY	Job Number: 13-000	Date: 8/2/2013
E	10/21/2014	R.K.				Drawing Number: A-16	

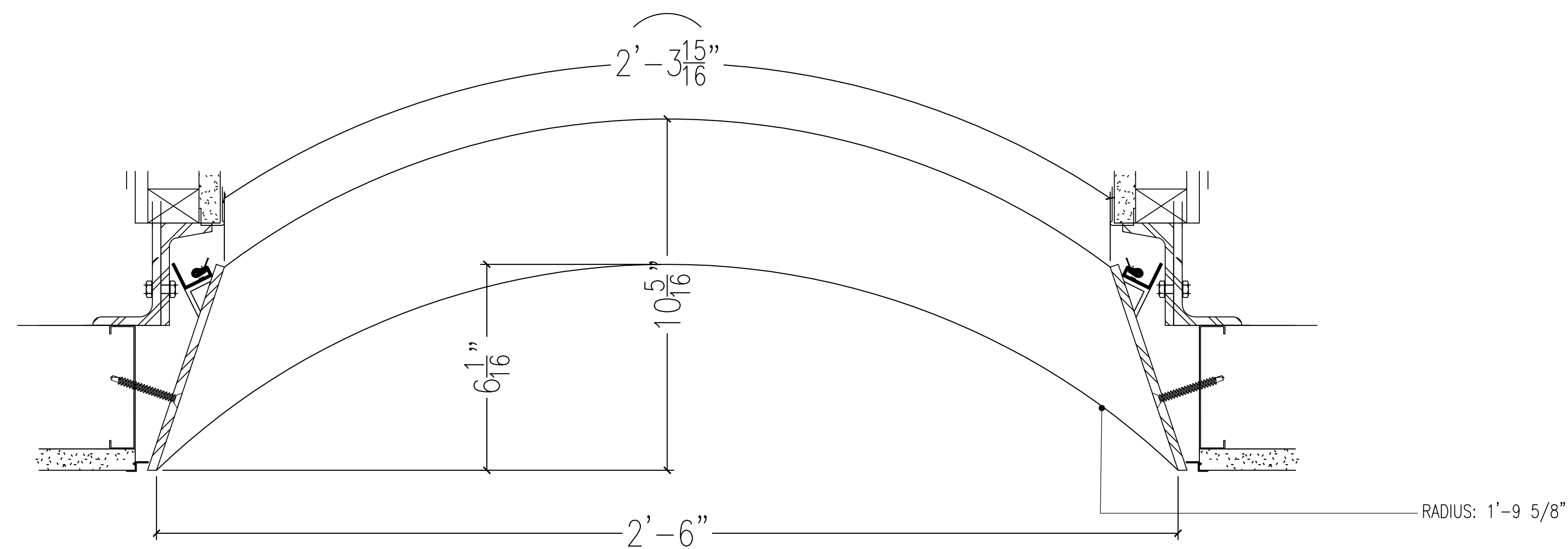
# G



# H



# I

**NOTES:**

1) ALL DIMENSIONS AND LOCATIONS MUST BE V.I.F. PRIOR TO NEWMAT FABRICATION AND INSTALLATION.

3) ALL "BLOCKING BY OTHERS", MUST BE CONTINUOUS, STRAIGHT, LEVEL AND/OR PLUMB AND ABLE TO WITHSTAND 30LBS. PER LINEAR FOOT OF LATERAL TENSION WHICH WILL BE EXERTED BY EACH LAYER OF MEMBRANE.

LEAD TIME: TEN (10) WEEKS FROM RECEIPT OF REQUIRED DEPOSIT, APPROVED SAMPLES, APPROVED SHOP DRAWINGS, AND CONFIRMED MEASUREMENTS.

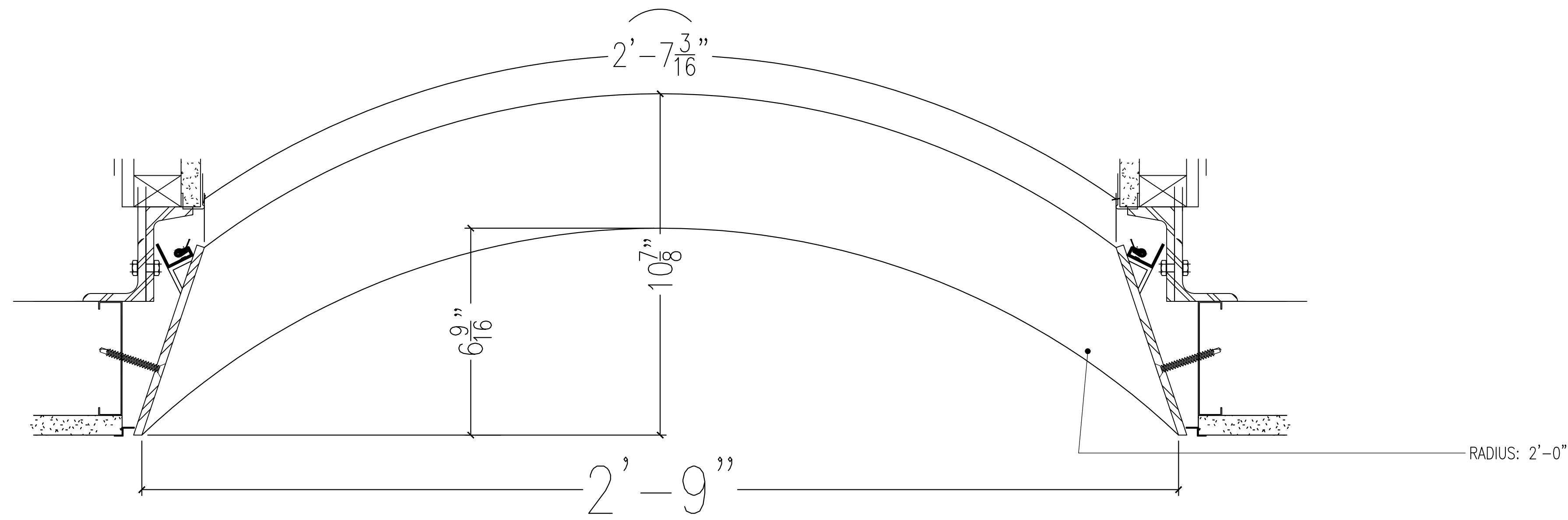
**AS BUILT**  
**4/22/2015**

**NOTICE:**  
THESE DRAWINGS WERE PRODUCED BY AND ARE THE SOLE PROPERTY OF NEWMAT USA LTD ANY AND ALL INFORMATION CONTAINED HEREIN SHALL NOT BE USED BY ANY OTHER PERSON OR COMPANY WITHOUT THE EXPRESSED WRITTEN CONSENT OF NEWMAT USA LTD. THE DRAWINGS MAY HAVE BEEN BASED ON CONSTRUCTION DRAWINGS NOT PREPARED BY NEWMAT USA LTD THEREFORE MAY NOT REPRESENT THE CONDITIONS AS CONSTRUCTED AT THAT TIME.

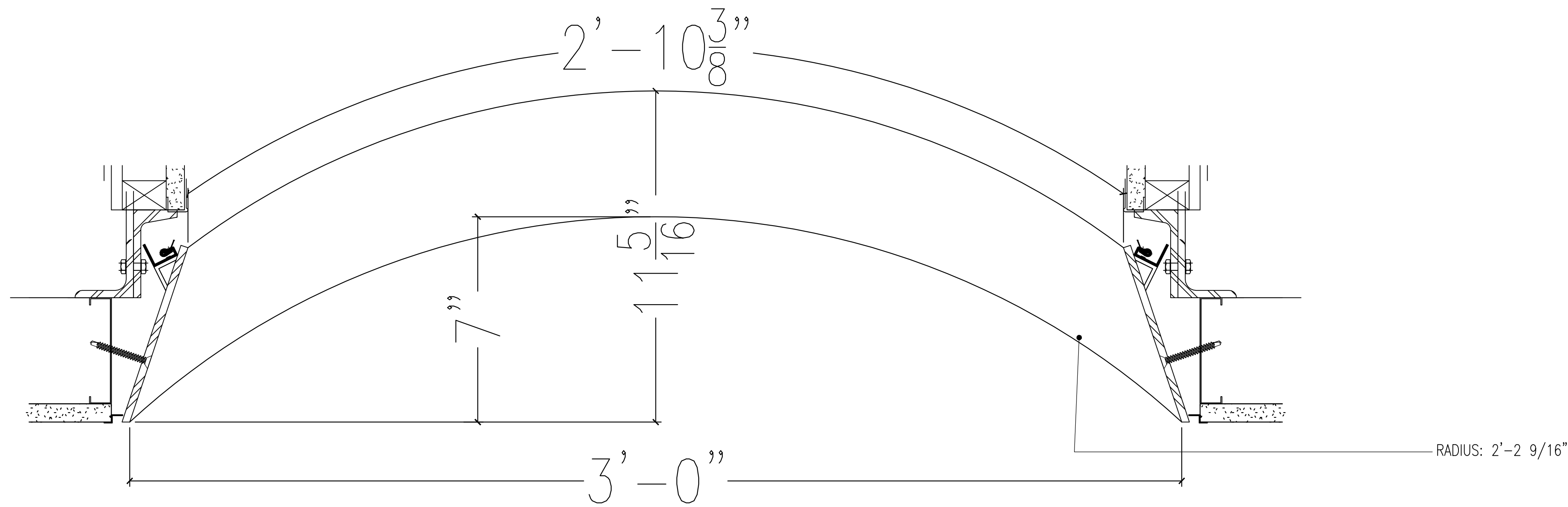
**NEWMAT**  
**NORTHEAST CORP.**  
*newmat*  
**STRETCH CEILING SYSTEMS**

#	REVISIONS:	DATE	Drawn By	Checked By	81 MAHAN STREET, WEST BABYLON, NY 11704 TEL. (631) 261 1498 FAX (631) 261 1756	Scale:	Drawn By:
A	8/8/2013	R.K.			Drawing Title: SECTIONS	AS NOTED	R.K.
B	10/10/2013	R.K.			Job Title: 7 BRYANT PARK	Job Number: 13-000	Checked By:
C	10/11/2013	R.K.			Customer Name:	Date: 8/2/2013	
D	10/15/2013	R.K.			1045 AVENUE OF THE AMERICAS NEW YORK, NY	Drawing Number: A-17	
E	10/21/2014	R.K.					

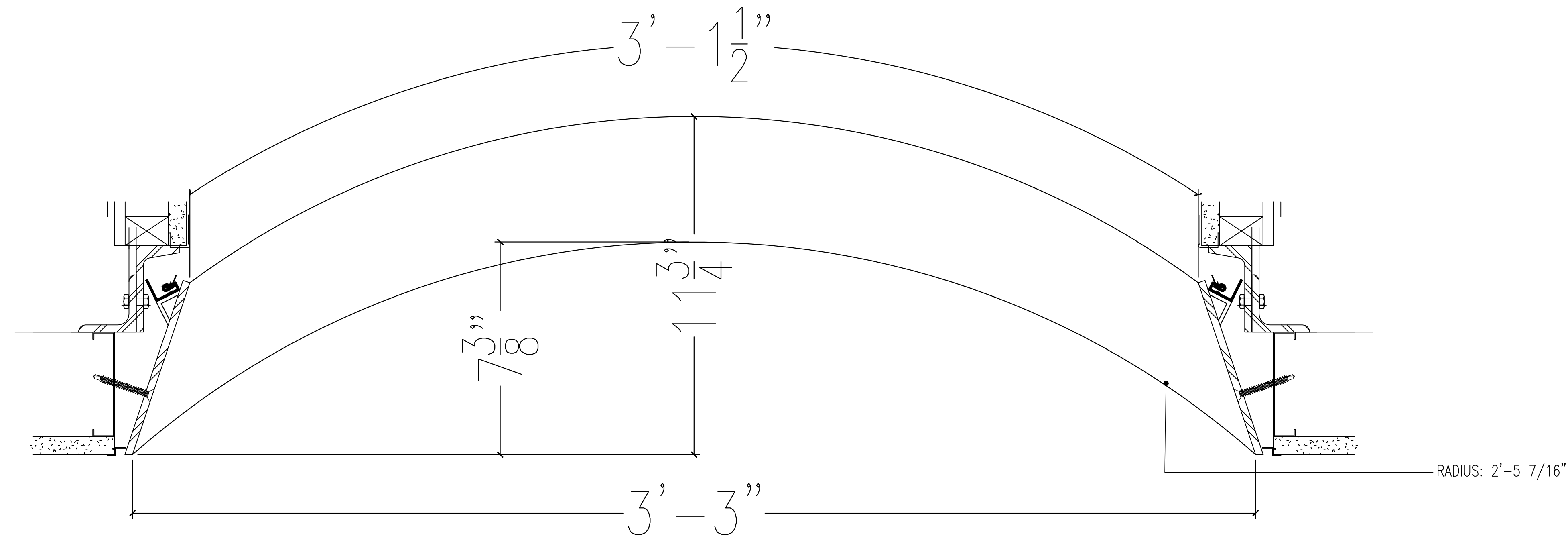
J



K



L



**NOTES:**

1) ALL DIMENSIONS AND LOCATIONS MUST BE V.I.F. PRIOR TO NEWMAT FABRICATION AND INSTALLATION.

3) ALL "BLOCKING BY OTHERS", MUST BE CONTINUOUS, STRAIGHT, LEVEL AND/OR PLUMB AND ABLE TO WITHSTAND 30LBS. PER LINEAR FOOT OF LATERAL TENSION WHICH WILL BE EXERTED BY EACH LAYER OF MEMBRANE.

LEAD TIME: TEN (10) WEEKS FROM RECEIPT OF REQUIRED DEPOSIT, APPROVED SAMPLES, APPROVED SHOP DRAWINGS, AND CONFIRMED MEASUREMENTS.

**AS BUILT**  
**4/22/2015**

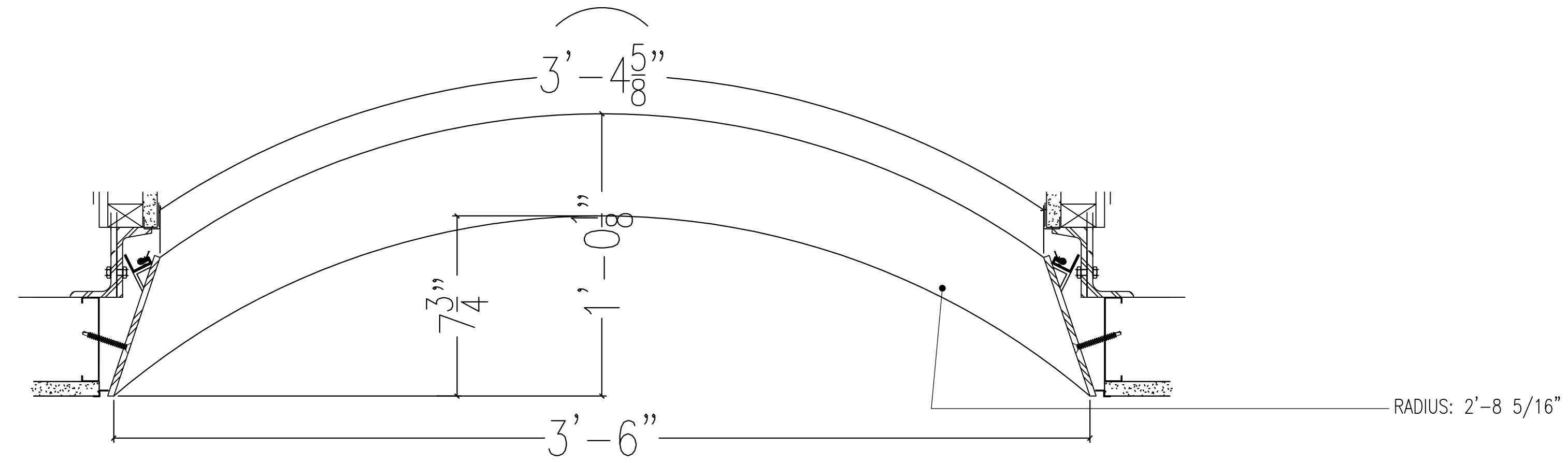
**NOTICE:**  
THESE DRAWINGS WERE PRODUCED BY AND ARE THE SOLE PROPERTY OF NEWMAT USA LTD ANY AND ALL INFORMATION CONTAINED HEREIN SHALL NOT BE USED BY ANY OTHER PERSON OR COMPANY WITHOUT THE EXPRESSED WRITTEN CONSENT OF NEWMAT USA LTD. THE DRAWINGS MAY HAVE BEEN BASED ON CONSTRUCTION DRAWINGS NOT PREPARED BY NEWMAT USA LTD THEREFORE MAY NOT REPRESENT THE CONDITIONS AS CONSTRUCTED AT THAT TIME.

**NEWMAT**  
**NORTHEAST CORP.**  
*newmat*  
**STRETCH CEILING SYSTEMS**

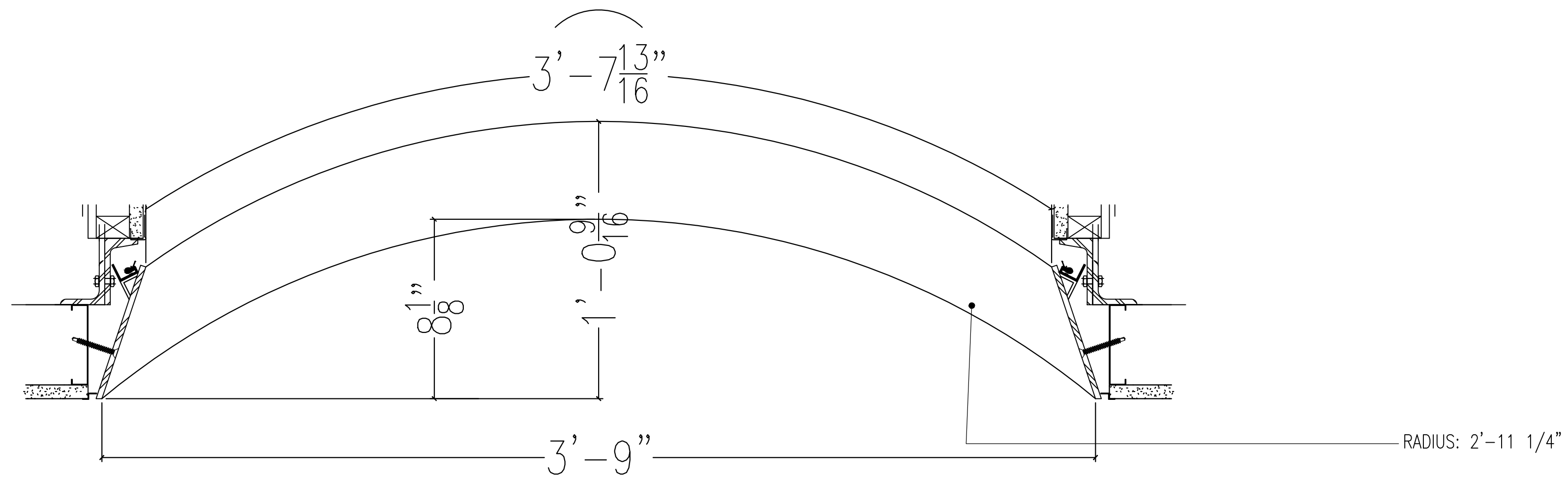
#	REVISIONS:	DATE	Drawn By	Checked By	81 MAHAN STREET, WEST BABYLON, NY 11704 TEL. (631) 261 1498 FAX (631) 261 1756
A	8/8/2013	R.K.			Drawing Title: SECTIONS
B	10/10/2013	R.K.			Job Title: 7 BRYANT PARK
C	10/11/2013	R.K.			Customer Name:
D	10/15/2013	R.K.			1045 AVENUE OF THE AMERICAS NEW YORK, NY
E	10/21/2014	R.K.			

Scale:	AS NOTED	Drawn By:	R.K.
Job Number:	13-000	Checked By:	
Date:	8/2/2013		
Drawing Number:	A-18		

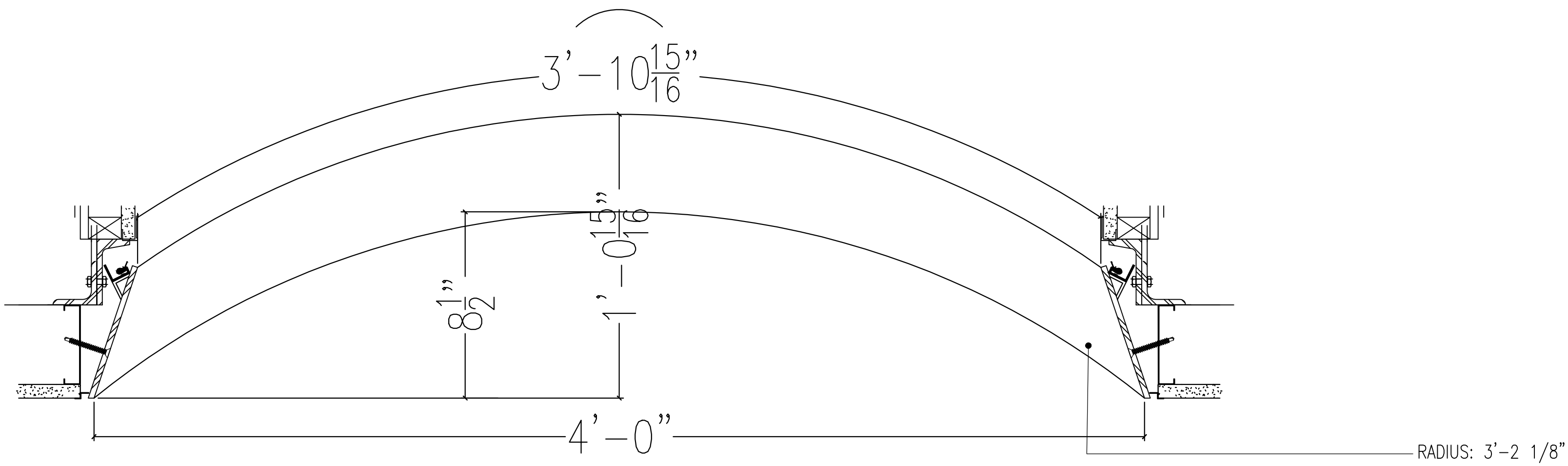
M



N



O



**NOTES:**

1) ALL DIMENSIONS AND LOCATIONS MUST BE V.I.F. PRIOR TO NEWMAT FABRICATION AND INSTALLATION.

3) ALL "BLOCKING BY OTHERS", MUST BE CONTINUOUS, STRAIGHT, LEVEL AND/OR PLUMB AND ABLE TO WITHSTAND 30LBS. PER LINEAR FOOT OF LATERAL TENSION WHICH WILL BE EXERTED BY EACH LAYER OF MEMBRANE.

LEAD TIME: TEN (10) WEEKS FROM RECEIPT OF REQUIRED DEPOSIT, APPROVED SAMPLES, APPROVED SHOP DRAWINGS, AND CONFIRMED MEASUREMENTS.

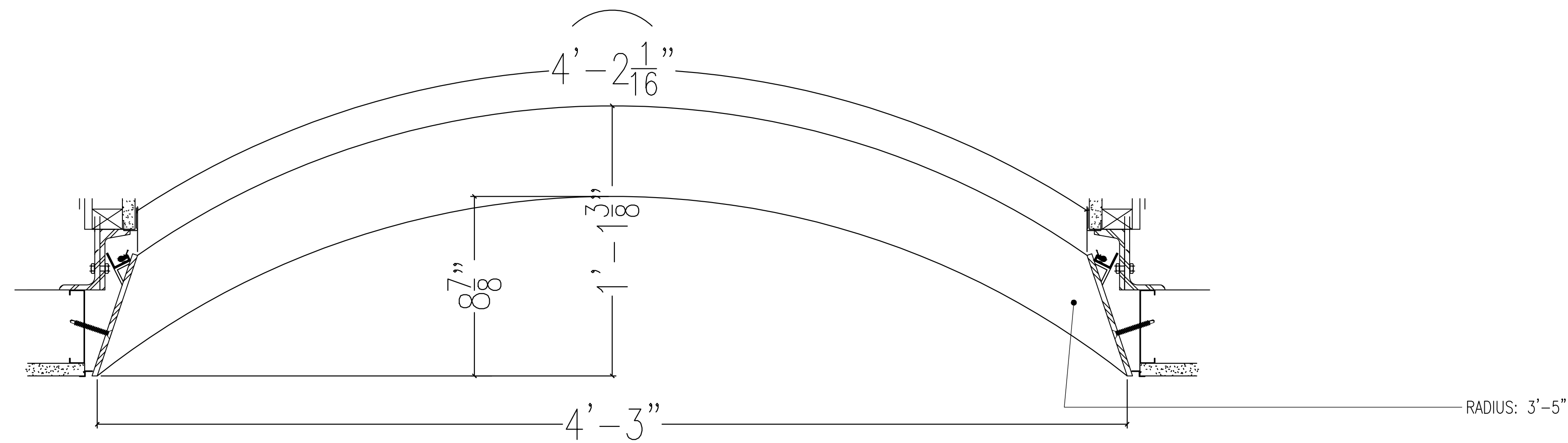
**AS BUILT**  
**4/22/2015**

**NOTICE:**  
THESE DRAWINGS WERE PRODUCED BY AND ARE THE SOLE PROPERTY OF NEWMAT USA LTD ANY AND ALL INFORMATION CONTAINED HEREIN SHALL NOT BE USED BY ANY OTHER PERSON OR COMPANY WITHOUT THE EXPRESSED WRITTEN CONSENT OF NEWMAT USA LTD. THE DRAWINGS MAY HAVE BEEN BASED ON CONSTRUCTION DRAWINGS NOT PREPARED BY NEWMAT USA LTD THEREFORE MAY NOT REPRESENT THE CONDITIONS AS CONSTRUCTED AT THAT TIME.

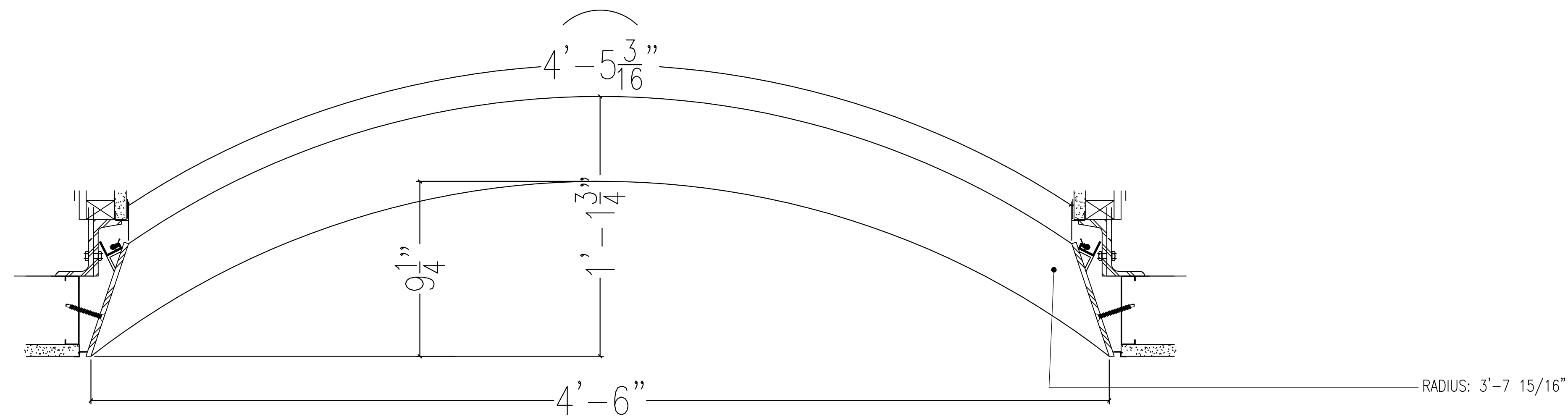
**NEWMAT**  
**NORTHEAST CORP.**  
*newmat*  
**STRETCH CEILING SYSTEMS**

#	REVISIONS:	Drawn	Checked	81 MAHAN STREET, WEST BABYLON, NY 11704 TEL. (631) 261 1498 FAX (631) 261 1756	Scale:	Drawn By:
A	8/8/2013	R.K.		Drawing Title: SECTIONS	AS NOTED	R.K.
B	10/10/2013	R.K.		Job Title: 7 BRYANT PARK	Job Number: 13-000	Checked By:
C	10/11/2013	R.K.		Customer Name:	Date: 8/2/2013	
D	10/15/2013	R.K.		1045 AVENUE OF THE AMERICAS NEW YORK, NY	Drawing Number: A-19	
E	10/21/2014	R.K.				

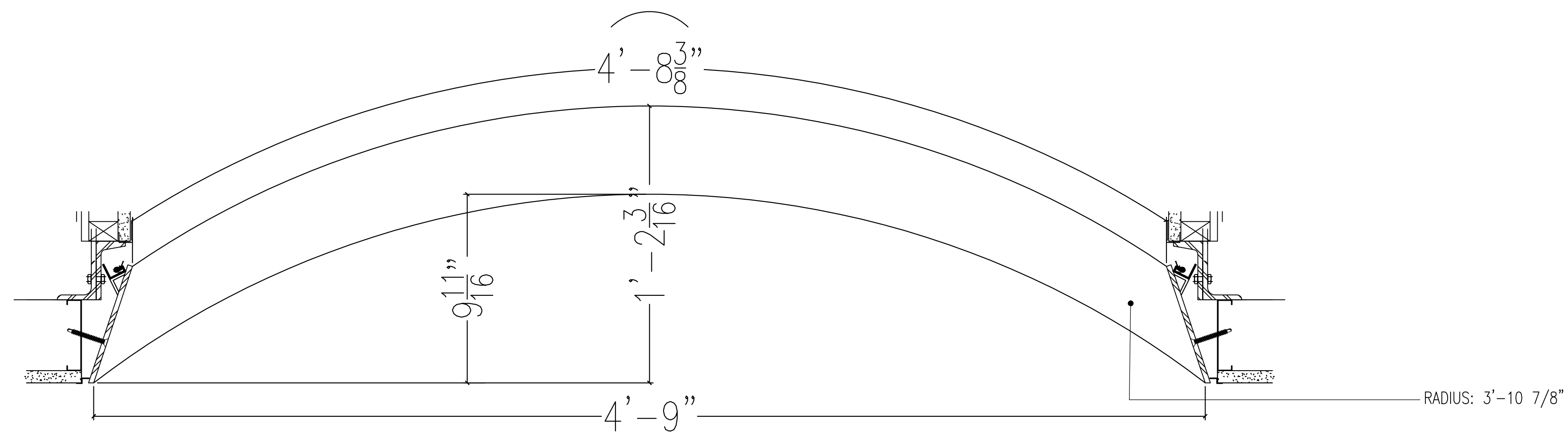
P



Q



R



**NOTES:**  
 1) ALL DIMENSIONS AND LOCATIONS MUST BE V.I.F. PRIOR TO NEWMAT FABRICATION AND INSTALLATION.  
 3) ALL "BLOCKING BY OTHERS", MUST BE CONTINUOUS, STRAIGHT, LEVEL AND/OR PLUMB AND ABLE TO WITHSTAND 30LBS. PER LINEAR FOOT OF LATERAL TENSION WHICH WILL BE EXERTED BY EACH LAYER OF MEMBRANE.

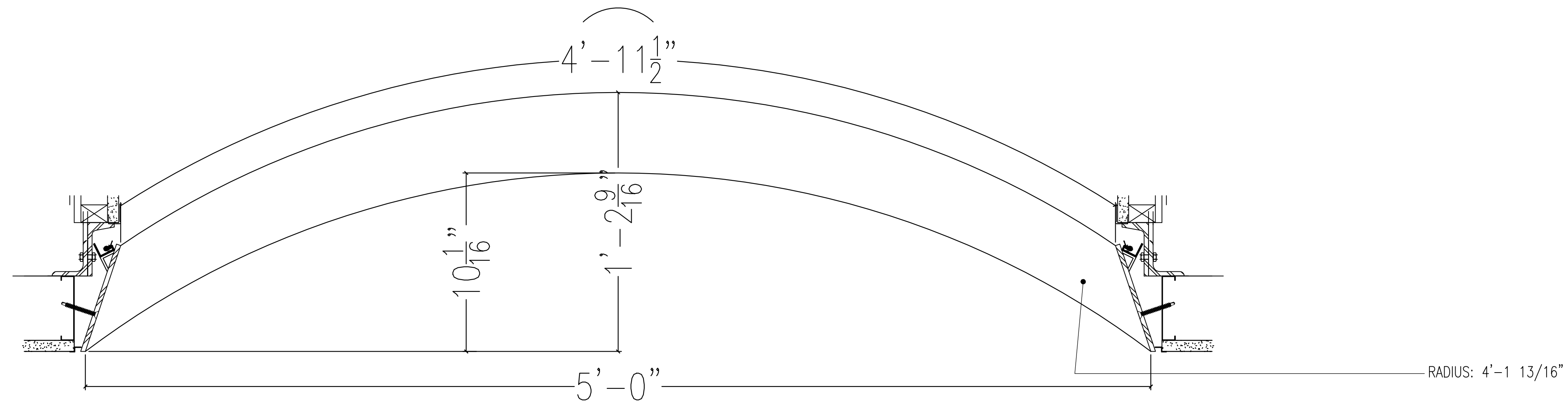
LEAD TIME: TEN (10) WEEKS FROM RECEIPT OF REQUIRED DEPOSIT, APPROVED SAMPLES, APPROVED SHOP DRAWINGS, AND CONFIRMED MEASUREMENTS.

**AS BUILT**  
**4/22/2015**

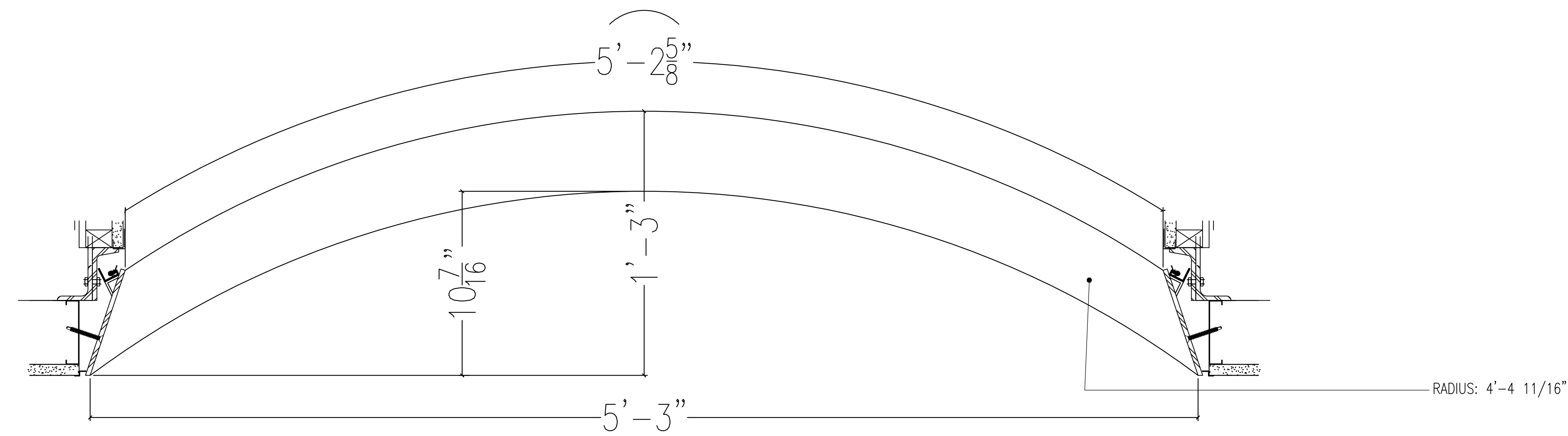
**NOTICE:**  
 THESE DRAWINGS WERE PRODUCED BY AND ARE THE SOLE PROPERTY OF NEWMAT USA LTD ANY AND ALL INFORMATION CONTAINED HEREIN SHALL NOT BE USED BY ANY OTHER PERSON OR COMPANY WITHOUT THE EXPRESSED WRITTEN CONSENT OF NEWMAT USA LTD. THE DRAWINGS MAY HAVE BEEN BASED ON CONSTRUCTION DRAWINGS NOT PREPARED BY NEWMAT USA LTD . THEREFORE MAY NOT REPRESENT THE CONDITIONS AS CONSTRUCTED AT THAT TIME.

<b>NEWMAT</b> <b>NORTHEAST CORP.</b>  <b>STRETCH CEILING SYSTEMS</b>	#	REVISIONS:	Drawn By	Checked By	81 MAHAN STREET, WEST BABYLON, NY 11704 TEL. (631) 261 1498 FAX (631) 261 1756	Scale:	Drawn By:
	A	8/8/2013	R.K.		Drawing Title: SECTIONS	AS NOTED	R.K.
	B	10/10/2013	R.K.		Job Title: 7 BRYANT PARK	Job Number: 13-000	Date: 8/2/2013
	C	10/11/2013	R.K.		Customer Name:	1045 AVENUE OF THE AMERICAS NEW YORK, NY	Drawing Number: A-20
	D	10/15/2013	R.K.				
E	10/21/2014	R.K.					

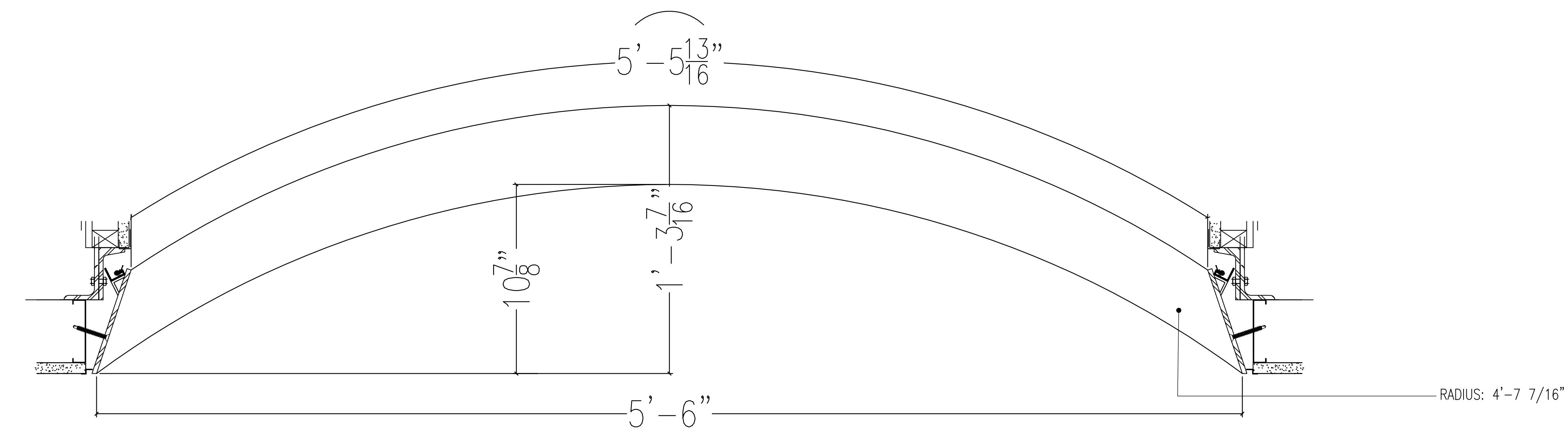
S



T



U



**NOTES:**

1) ALL DIMENSIONS AND LOCATIONS MUST BE V.I.F. PRIOR TO NEWMAT FABRICATION AND INSTALLATION.

3) ALL "BLOCKING BY OTHERS", MUST BE CONTINUOUS, STRAIGHT, LEVEL AND/OR PLUMB AND ABLE TO WITHSTAND 30LBS. PER LINEAR FOOT OF LATERAL TENSION WHICH WILL BE EXERTED BY EACH LAYER OF MEMBRANE.

LEAD TIME: TEN (10) WEEKS FROM RECEIPT OF REQUIRED DEPOSIT, APPROVED SAMPLES, APPROVED SHOP DRAWINGS, AND CONFIRMED MEASUREMENTS.

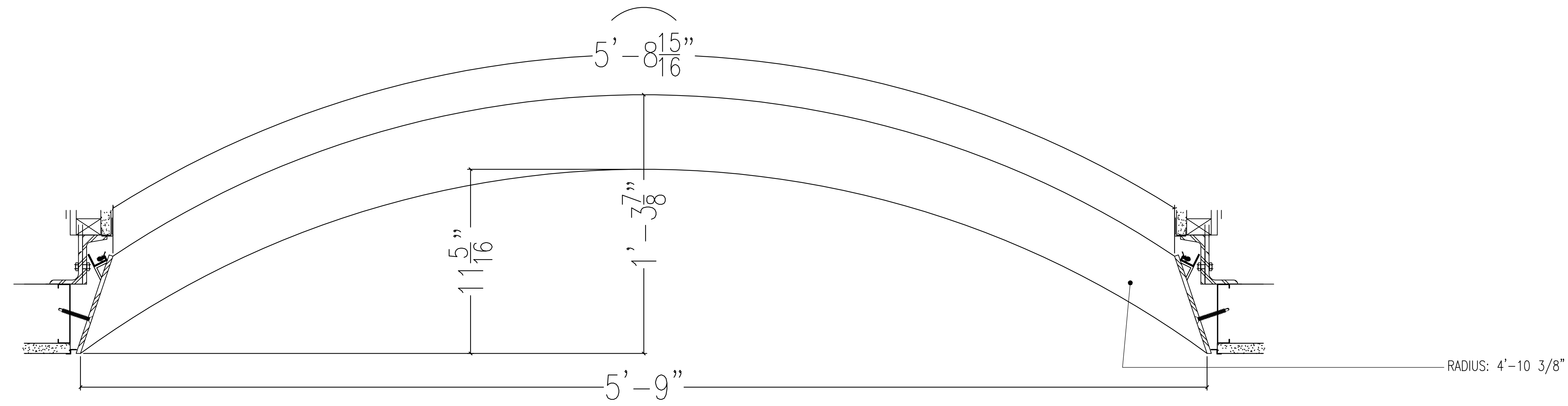
**AS BUILT**  
**4/22/2015**

**NOTICE:**  
THESE DRAWINGS WERE PRODUCED BY AND ARE THE SOLE PROPERTY OF NEWMAT USA LTD ANY AND ALL INFORMATION CONTAINED HEREIN SHALL NOT BE USED BY ANY OTHER PERSON OR COMPANY WITHOUT THE EXPRESSED WRITTEN CONSENT OF NEWMAT USA LTD. THE DRAWINGS MAY HAVE BEEN BASED ON CONSTRUCTION DRAWINGS NOT PREPARED BY NEWMAT USA LTD THEREFORE MAY NOT REPRESENT THE CONDITIONS AS CONSTRUCTED AT THAT TIME.

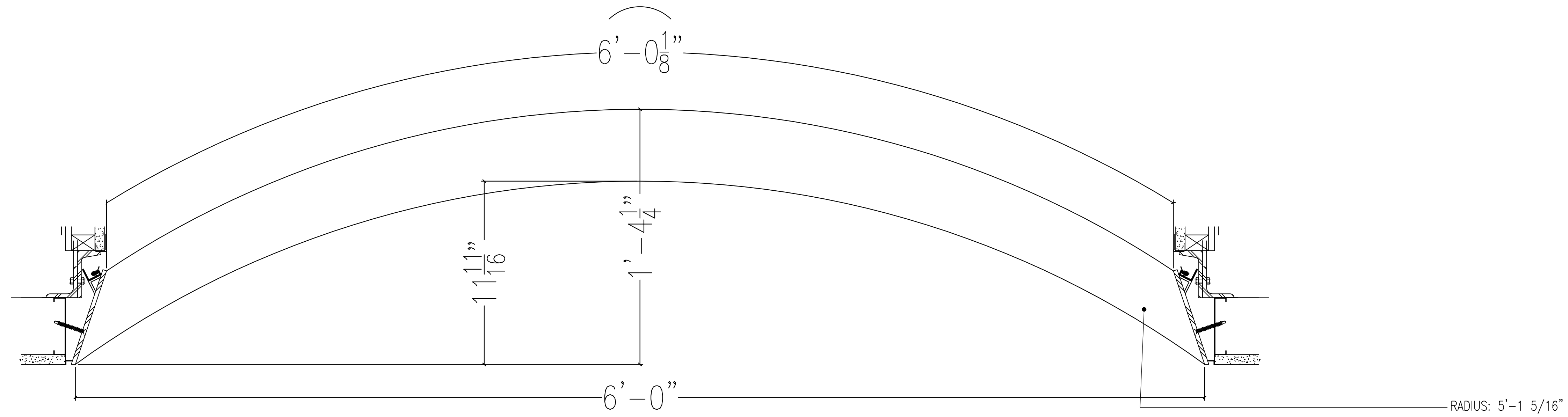
**NEWMAT**  
**NORTHEAST CORP.**  
*newmat*  
**STRETCH CEILING SYSTEMS**

#	REVISIONS:	Drawn By	Checked By	81 MAHAN STREET, WEST BABYLON, NY 11704 TEL. (631) 261 1498 FAX (631) 261 1756	Scale:	Drawn By:
A	8/8/2013	R.K.		Drawing Title: SECTIONS	AS NOTED	R.K.
B	10/10/2013	R.K.		Job Title: 7 BRYANT PARK		Checked By:
C	10/11/2013	R.K.		Customer Name:	Job Number: 13-000	Date: 8/2/2013
D	10/15/2013	R.K.		1045 AVENUE OF THE AMERICAS NEW YORK, NY	Drawing Number: A-21	
E	10/21/2014	R.K.				

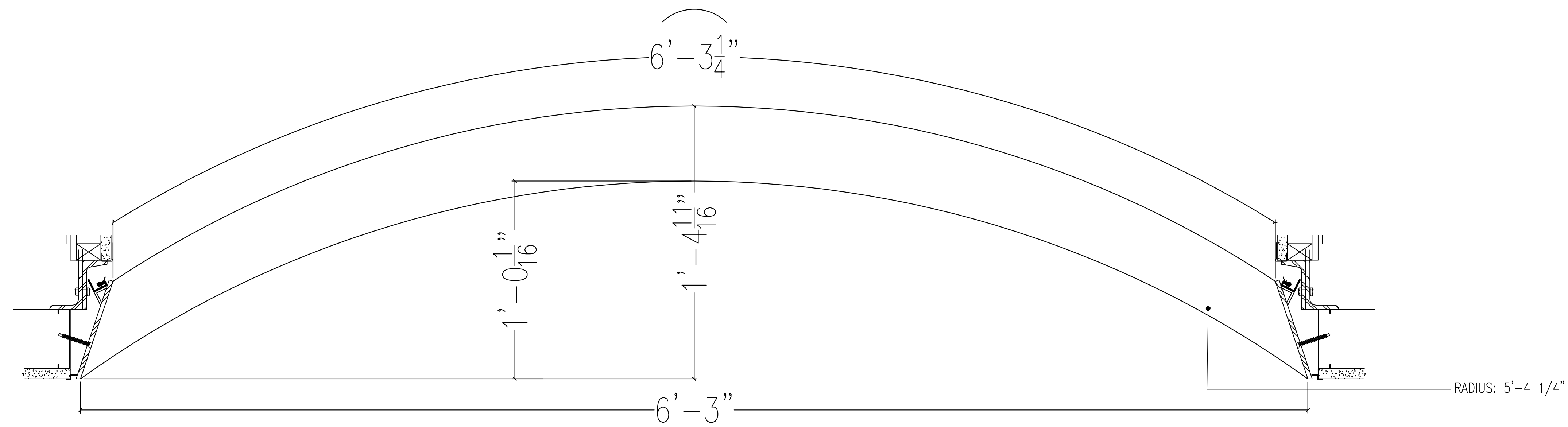
V



W



X



**NOTES:**

1) ALL DIMENSIONS AND LOCATIONS MUST BE V.I.F. PRIOR TO NEWMAT FABRICATION AND INSTALLATION.

3) ALL "BLOCKING BY OTHERS", MUST BE CONTINUOUS, STRAIGHT, LEVEL AND/OR PLUMB AND ABLE TO WITHSTAND 30LBS. PER LINEAR FOOT OF LATERAL TENSION WHICH WILL BE EXERTED BY EACH LAYER OF MEMBRANE.

LEAD TIME: TEN (10) WEEKS FROM RECEIPT OF REQUIRED DEPOSIT, APPROVED SAMPLES, APPROVED SHOP DRAWINGS, AND CONFIRMED MEASUREMENTS.

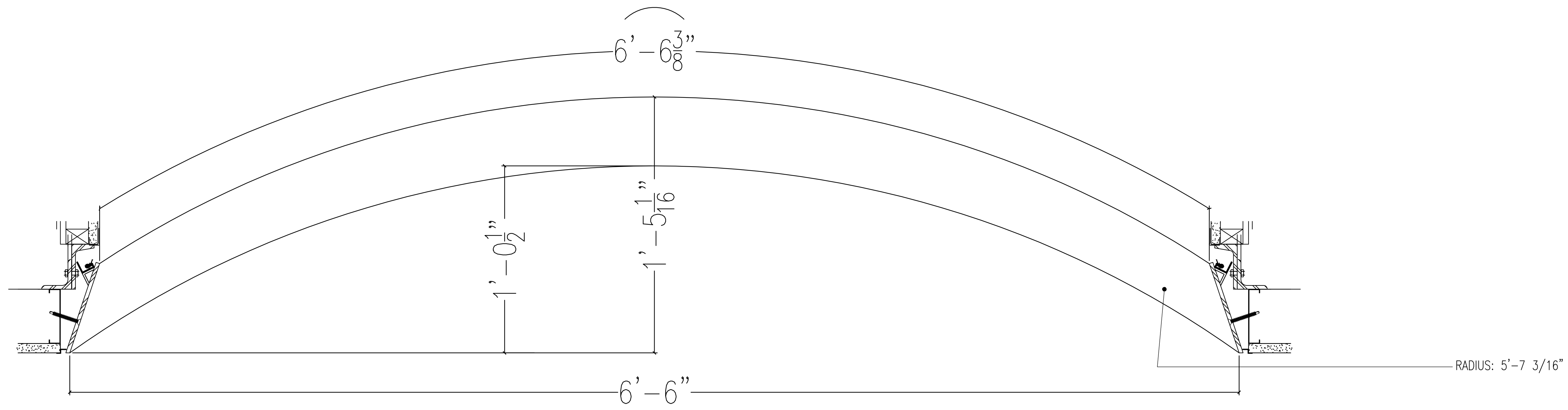
**AS BUILT**  
**4/22/2015**

**NOTICE:**  
THESE DRAWINGS WERE PRODUCED BY AND ARE THE SOLE PROPERTY OF NEWMAT USA LTD ANY AND ALL INFORMATION CONTAINED HEREIN SHALL NOT BE USED BY ANY OTHER PERSON OR COMPANY WITHOUT THE EXPRESSED WRITTEN CONSENT OF NEWMAT USA LTD. THE DRAWINGS MAY HAVE BEEN BASED ON CONSTRUCTION DRAWINGS NOT PREPARED BY NEWMAT USA LTD THEREFORE MAY NOT REPRESENT THE CONDITIONS AS CONSTRUCTED AT THAT TIME.

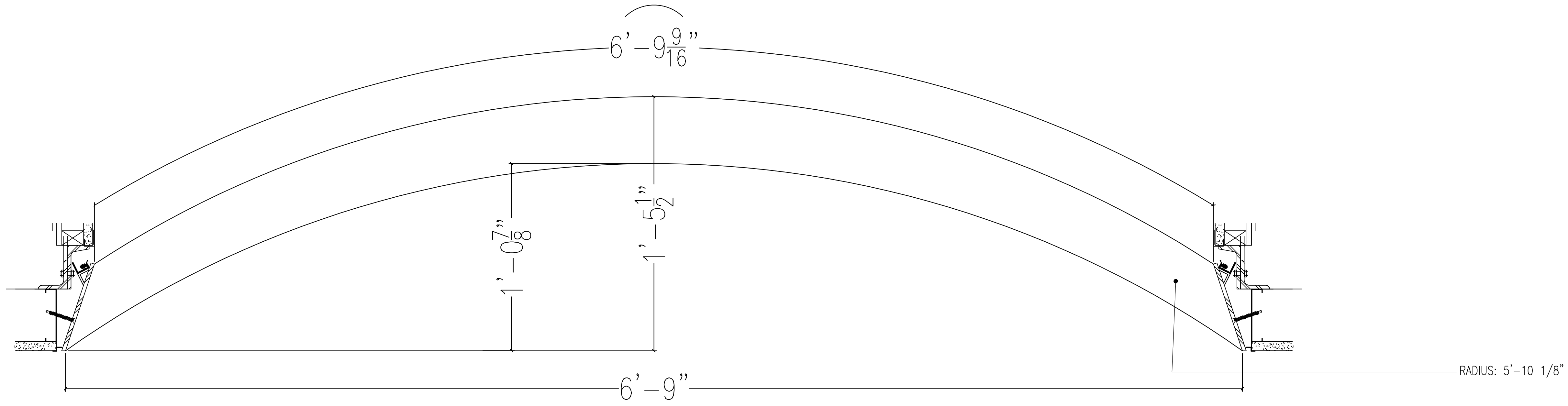
**NEWMAT**  
**NORTHEAST CORP.**  
*newmat*  
**STRETCH CEILING SYSTEMS**

#	REVISIONS:	DATE	Drawn By	Checked By	81 MAHAN STREET, WEST BABYLON, NY 11704 TEL. (631) 261 1498 FAX (631) 261 1756	Scale:	Drawn By:
A	8/8/2013	R.K.			Drawing Title: SECTIONS	AS NOTED	R.K.
B	10/10/2013	R.K.			Job Title: 7 BRYANT PARK		
C	10/11/2013	R.K.			Customer Name:		
D	10/15/2013	R.K.			1045 AVENUE OF THE AMERICAS NEW YORK, NY	Job Number: 13-000	Date: 8/2/2013
E	10/21/2014	R.K.				Drawing Number: A-22	

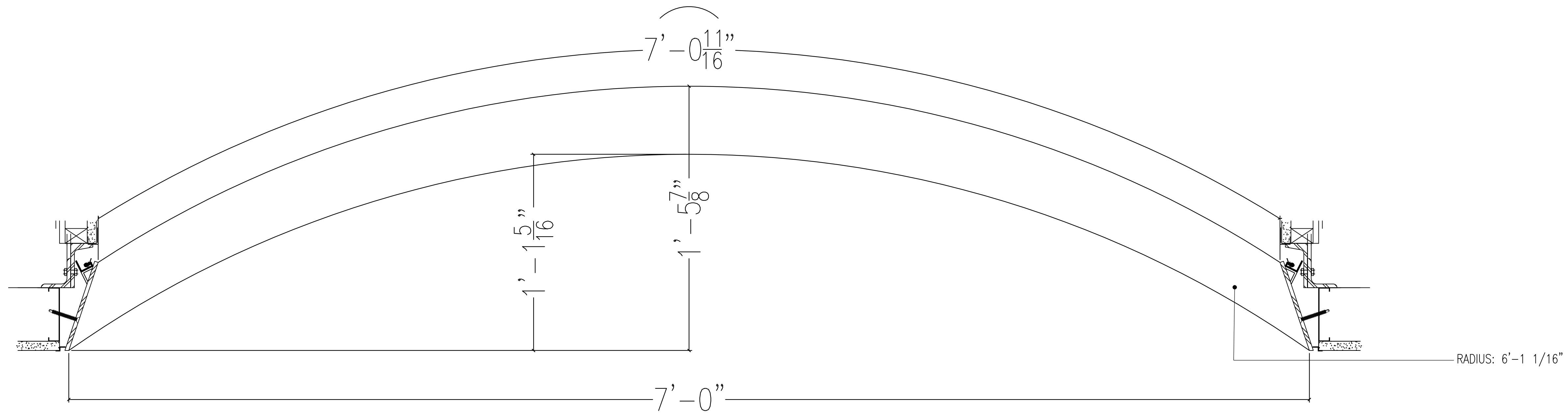
Y



Z



A2



**NOTES:**  
 1) ALL DIMENSIONS AND LOCATIONS MUST BE V.I.F. PRIOR TO NEWMAT FABRICATION AND INSTALLATION.  
 3) ALL "BLOCKING BY OTHERS", MUST BE CONTINUOUS, STRAIGHT, LEVEL AND/OR PLUMB AND ABLE TO WITHSTAND 30LBS. PER LINEAR FOOT OF LATERAL TENSION WHICH WILL BE EXERTED BY EACH LAYER OF MEMBRANE.

LEAD TIME: TEN (10) WEEKS FROM RECEIPT OF REQUIRED DEPOSIT, APPROVED SAMPLES, APPROVED SHOP DRAWINGS, AND CONFIRMED MEASUREMENTS.

AS BUILT  
 4/22/2015

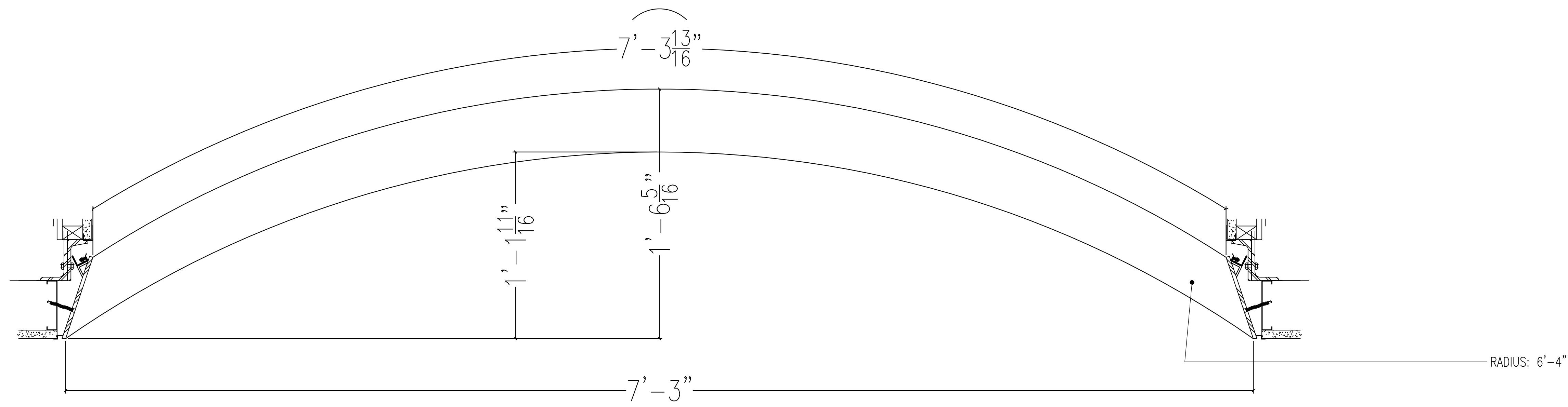
**NOTICE:**  
 THESE DRAWINGS WERE PRODUCED BY AND ARE THE SOLE PROPERTY OF NEWMAT USA LTD ANY AND ALL INFORMATION CONTAINED HEREIN SHALL NOT BE USED BY ANY OTHER PERSON OR COMPANY WITHOUT THE EXPRESSED WRITTEN CONSENT OF NEWMAT USA LTD. THE DRAWINGS MAY HAVE BEEN BASED ON CONSTRUCTION DRAWINGS NOT PREPARED BY NEWMAT USA LTD THEREFORE MAY NOT REPRESENT THE CONDITIONS AS CONSTRUCTED AT THAT TIME.

**NEWMAT  
 NORTHEAST CORP.**  
  
 STRETCH CEILING SYSTEMS

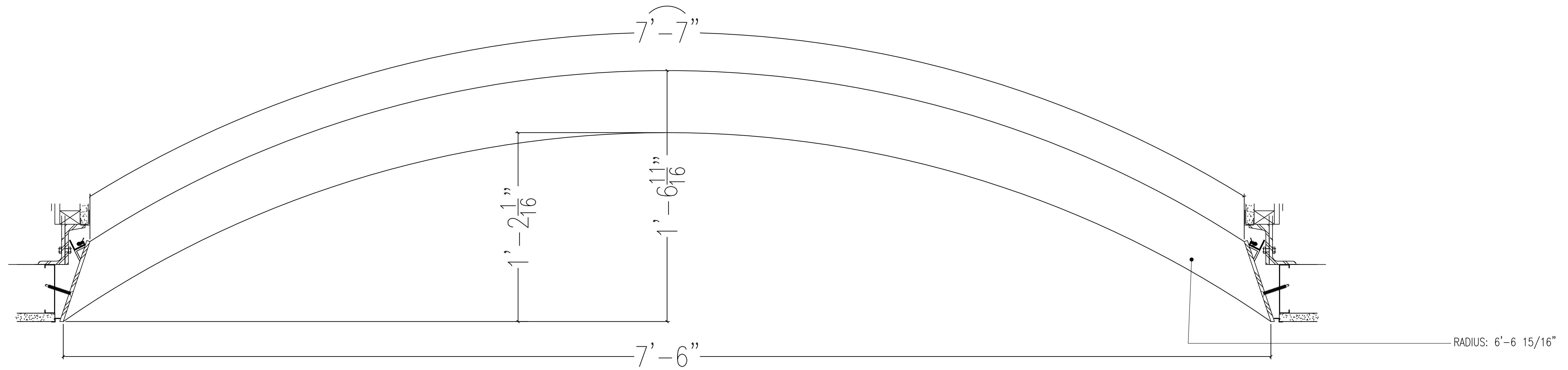
#	REVISIONS:	Drawn By	Checked By	81 MAHAN STREET, WEST BABYLON, NY 11704 TEL. (631) 261 1498 FAX (631) 261 1756
A	8/8/2013	R.K.		Drawing Title: SECTIONS
B	10/10/2013	R.K.		Job Title: 7 BRYANT PARK
C	10/11/2013	R.K.		Customer Name:
D	10/15/2013	R.K.		1045 AVENUE OF THE AMERICAS NEW YORK, NY
E	10/21/2014	R.K.		

Scale:	AS NOTED	Drawn By:	R.K.
Job Number:	13-000	Checked By:	
Date:	8/2/2013		
Drawing Number:	A-23		

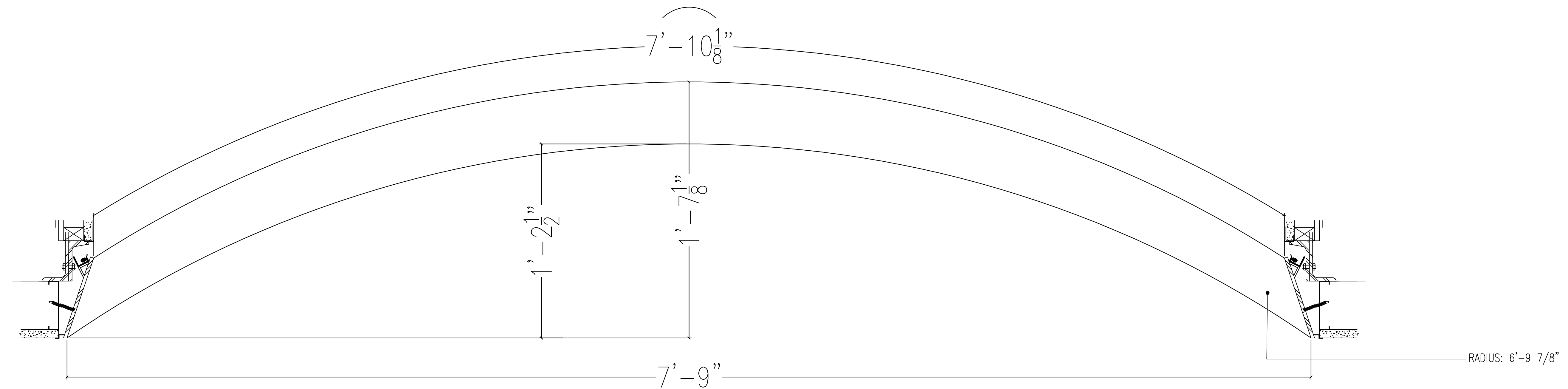
B2



C2



D2



**NOTES:**  
 1) ALL DIMENSIONS AND LOCATIONS MUST BE V.I.F. PRIOR TO NEWMAT FABRICATION AND INSTALLATION.  
 3) ALL "BLOCKING BY OTHERS", MUST BE CONTINUOUS, STRAIGHT, LEVEL AND/OR PLUMB AND ABLE TO WITHSTAND 30LBS. PER LINEAR FOOT OF LATERAL TENSION WHICH WILL BE EXERTED BY EACH LAYER OF MEMBRANE.

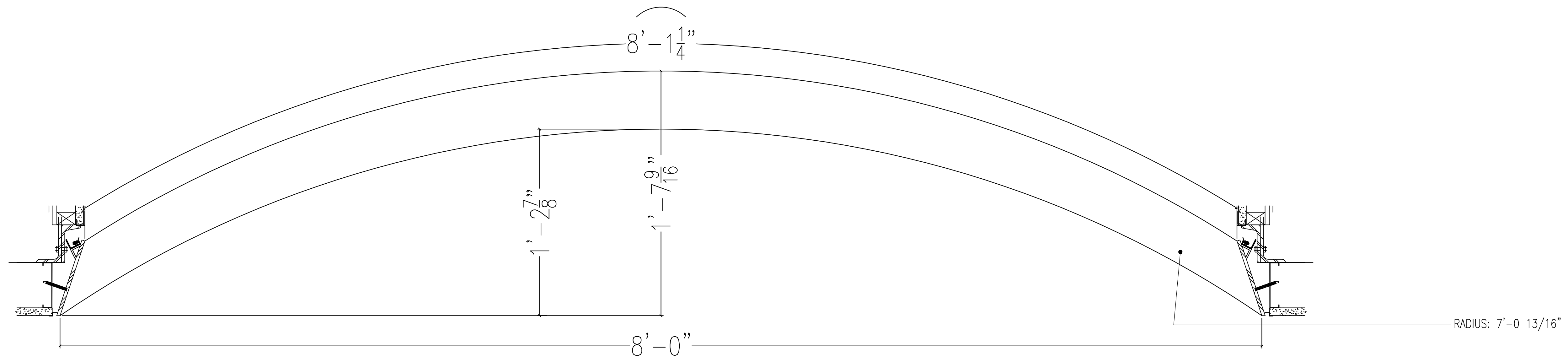
LEAD TIME: TEN (10) WEEKS FROM RECEIPT OF REQUIRED DEPOSIT, APPROVED SAMPLES, APPROVED SHOP DRAWINGS, AND CONFIRMED MEASUREMENTS.

AS BUILT  
 4/22/2015

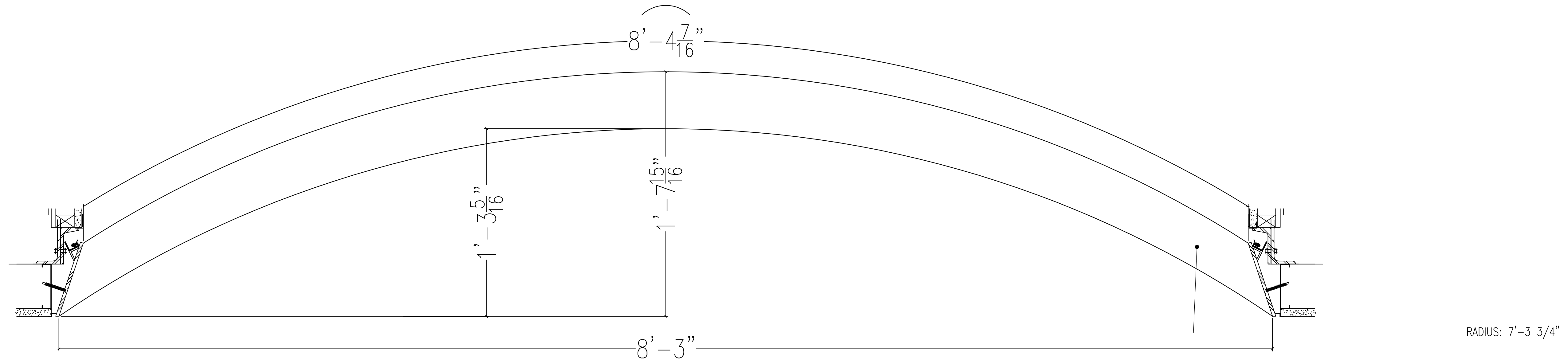
<p>NOTICE:          THESE DRAWINGS WERE PRODUCED BY AND ARE THE SOLE PROPERTY OF NEWMAT USA LTD ANY AND ALL INFORMATION CONTAINED HEREIN SHALL NOT BE USED BY ANY OTHER PERSON OR COMPANY WITHOUT THE EXPRESSED WRITTEN CONSENT OF NEWMAT USA LTD. THE DRAWINGS MAY HAVE BEEN BASED ON CONSTRUCTION DRAWINGS NOT PREPARED BY NEWMAT USA LTD . THEREFORE MAY NOT REPRESENT THE CONDITIONS AS CONSTRUCTED AT THAT TIME.</p>				<p>81 MAHAN STREET, WEST BABYLON, NY 11704          TEL. (631) 261 1498 FAX (631) 261 1756</p>		<p>Scale:          AS NOTED</p>	<p>Drawn By:          R.K.          Checked By:</p>
#	REVISIONS:	DATE	Drawn By	Checked By	Drawing Title:	Job Number:	Date:
A	8/8/2013	R.K.			SECTIONS	13-000	8/2/2013
B	10/10/2013	R.K.			7 BRYANT PARK		
C	10/11/2013	R.K.			Customer Name:		
D	10/15/2013	R.K.			1045 AVENUE OF THE AMERICAS NEW YORK, NY		
E	10/21/2014	R.K.					

**NEWMAT**  
**NORTHEAST CORP.**  
*newmat*  
**STRETCH CEILING SYSTEMS**

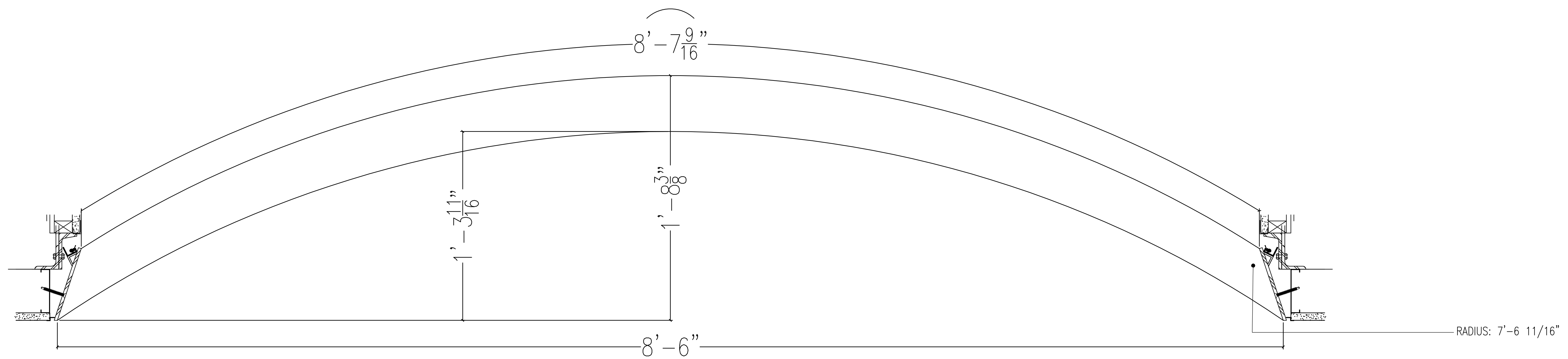
E2



F2



G2



**NOTES:**  
 1) ALL DIMENSIONS AND LOCATIONS MUST BE V.I.F. PRIOR TO NEWMAT FABRICATION AND INSTALLATION.  
 3) ALL "BLOCKING BY OTHERS", MUST BE CONTINUOUS, STRAIGHT, LEVEL AND/OR PLUMB AND ABLE TO WITHSTAND 30LBS. PER LINEAR FOOT OF LATERAL TENSION WHICH WILL BE EXERTED BY EACH LAYER OF MEMBRANE.

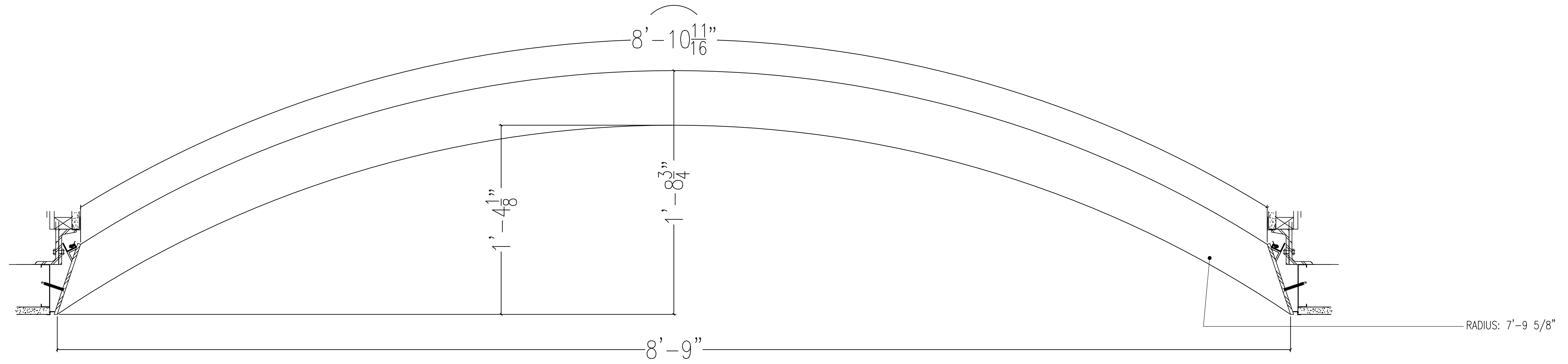
LEAD TIME: TEN (10) WEEKS FROM RECEIPT OF REQUIRED DEPOSIT, APPROVED SAMPLES, APPROVED SHOP DRAWINGS, AND CONFIRMED MEASUREMENTS.

AS BUILT  
 4/22/2015

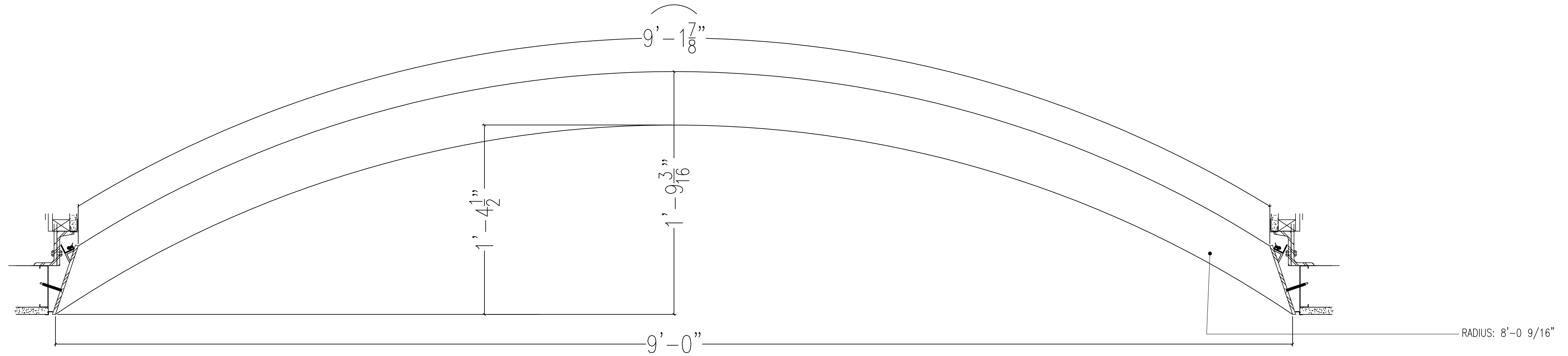
<b>NOTICE:</b> THESE DRAWINGS WERE PRODUCED BY AND ARE THE SOLE PROPERTY OF NEWMAT USA LTD ANY AND ALL INFORMATION CONTAINED HEREIN SHALL NOT BE USED BY ANY OTHER PERSON OR COMPANY WITHOUT THE EXPRESSED WRITTEN CONSENT OF NEWMAT USA LTD. THE DRAWINGS MAY HAVE BEEN BASED ON CONSTRUCTION DRAWINGS NOT PREPARED BY NEWMAT USA LTD THEREFORE MAY NOT REPRESENT THE CONDITIONS AS CONSTRUCTED AT THAT TIME.				81 MAHAN STREET, WEST BABYLON, NY 11704 TEL. (631) 261 1498 FAX (631) 261 1756		Scale: AS NOTED	Drawn By: R.K.
#	REVISIONS:	Drawn By	Checked By	Drawing Title: SECTIONS		Job Number: 13-000	Date: 8/2/2013
A	8/8/2013	R.K.		Customer Name: 7 BRYANT PARK			
B	10/10/2013	R.K.		1045 AVENUE OF THE AMERICAS NEW YORK, NY			
C	10/11/2013	R.K.					
D	10/15/2013	R.K.					
E	10/21/2014	R.K.					

**NEWMAT**  
**NORTHEAST CORP.**  
*newmat*  
 STRETCH CEILING SYSTEMS

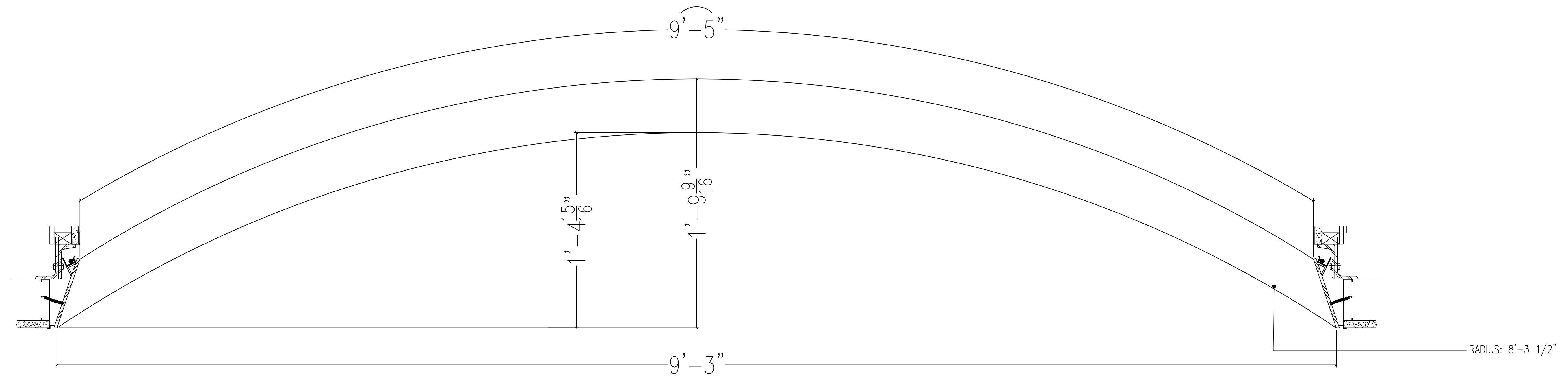
H2



I2



J2



**NOTES:**  
 1) ALL DIMENSIONS AND LOCATIONS MUST BE V.I.F. PRIOR TO NEWMAT FABRICATION AND INSTALLATION.  
 3) ALL "BLOCKING BY OTHERS", MUST BE CONTINUOUS, STRAIGHT, LEVEL AND/OR PLUMB AND ABLE TO WITHSTAND 30LBS. PER LINEAR FOOT OF LATERAL TENSION WHICH WILL BE EXERTED BY EACH LAYER OF MEMBRANE.

LEAD TIME: TEN (10) WEEKS FROM RECEIPT OF REQUIRED DEPOSIT, APPROVED SAMPLES, APPROVED SHOP DRAWINGS, AND CONFIRMED MEASUREMENTS.

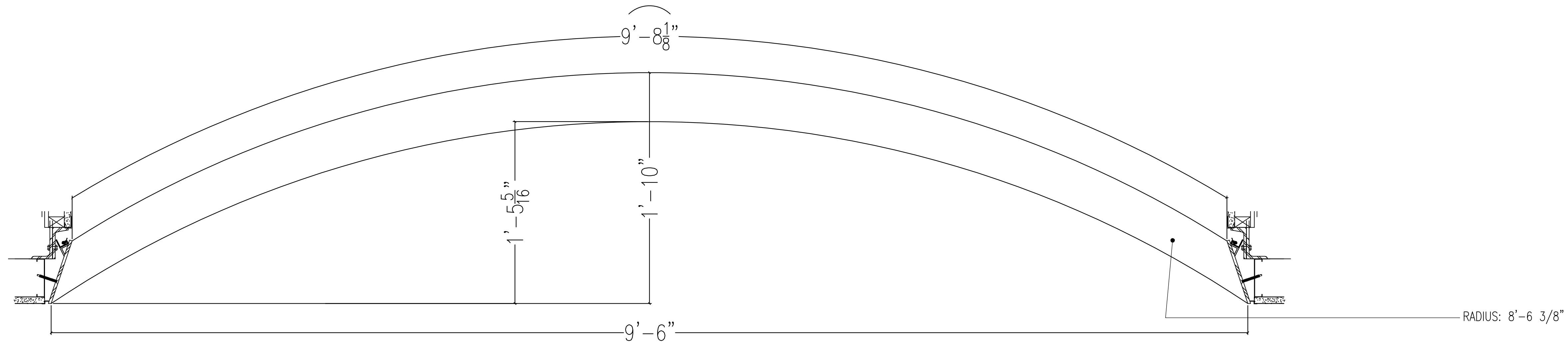
AS BUILT  
 4/22/2015

**NOTICE:**  
 THESE DRAWINGS WERE PRODUCED BY AND ARE THE SOLE PROPERTY OF NEWMAT USA LTD ANY AND ALL INFORMATION CONTAINED HEREIN SHALL NOT BE USED BY ANY OTHER PERSON OR COMPANY WITHOUT THE EXPRESSED WRITTEN CONSENT OF NEWMAT USA LTD. THE DRAWINGS MAY HAVE BEEN BASED ON CONSTRUCTION DRAWINGS NOT PREPARED BY NEWMAT USA LTD . THEREFORE MAY NOT REPRESENT THE CONDITIONS AS CONSTRUCTED AT THAT TIME.

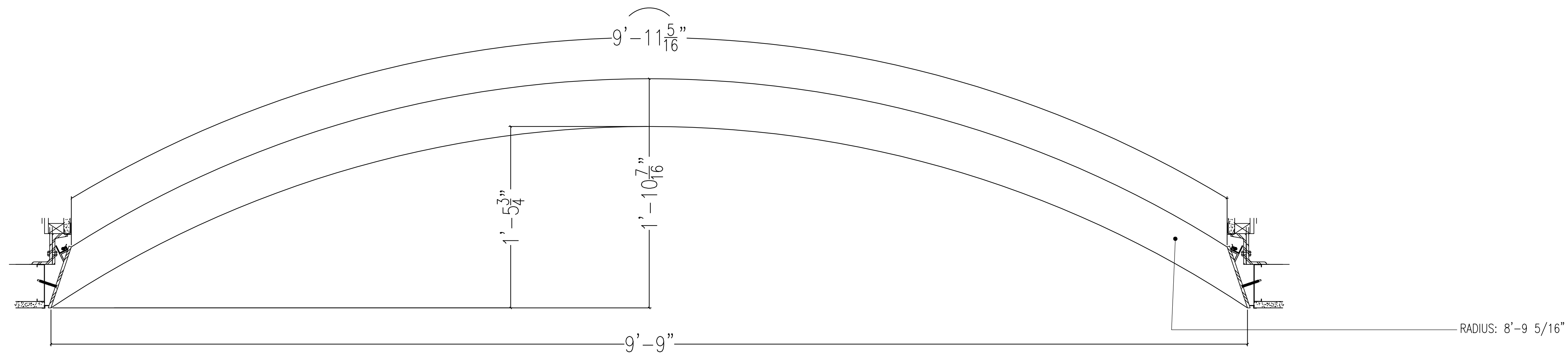
**NEWMAT  
 NORTHEAST CORP.**  
  
 STRETCH CEILING SYSTEMS

#	REVISIONS DATE	Drawn By	Checked By	81 MAHAN STREET, WEST BABYLON, NY 11704 TEL. (631) 261 1498 FAX (631) 261 1756	Scale:	Drawn By:
A	8/8/2013	R.K.		Drawing Title: SECTIONS	AS NOTED	R.K.
B	10/10/2013	R.K.		Job Title: 7 BRYANT PARK		Checked By:
C	10/11/2013	R.K.		Customer Name:	Job Number: 13-000	Date: 8/2/2013
D	10/15/2013	R.K.		1045 AVENUE OF THE AMERICAS NEW YORK, NY	Drawing Number: A-26	
E	10/21/2014	R.K.				

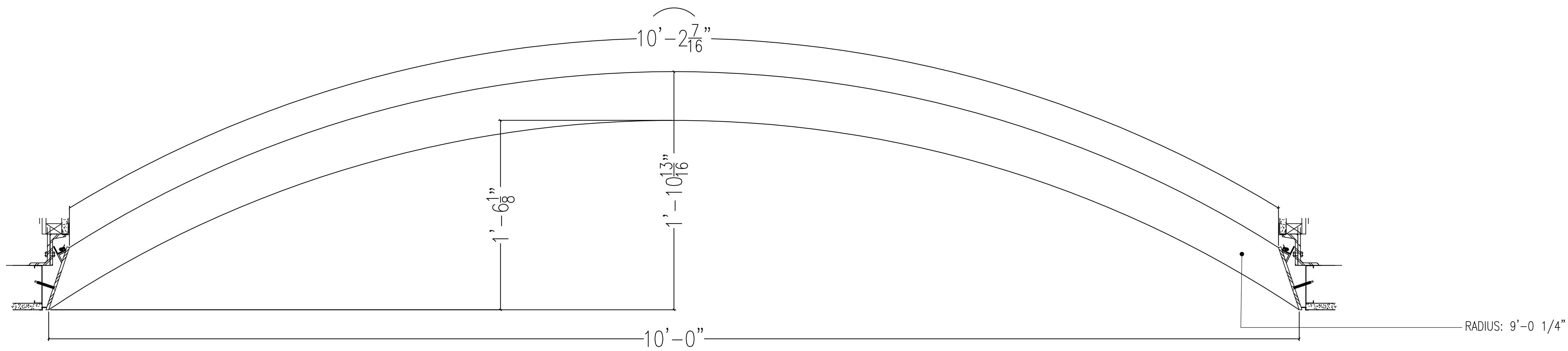
K2



L2



M2



**NOTES:**  
 1) ALL DIMENSIONS AND LOCATIONS MUST BE V.I.F. PRIOR TO NEWMAT FABRICATION AND INSTALLATION.  
 3) ALL "BLOCKING BY OTHERS", MUST BE CONTINUOUS, STRAIGHT, LEVEL AND/OR PLUMB AND ABLE TO WITHSTAND 30LBS. PER LINEAR FOOT OF LATERAL TENSION WHICH WILL BE EXERTED BY EACH LAYER OF MEMBRANE.

LEAD TIME: TEN (10) WEEKS FROM RECEIPT OF REQUIRED DEPOSIT, APPROVED SAMPLES, APPROVED SHOP DRAWINGS, AND CONFIRMED MEASUREMENTS.

**AS BUILT**  
**4/22/2015**

**NOTICE:**  
 THESE DRAWINGS WERE PRODUCED BY AND ARE THE SOLE PROPERTY OF NEWMAT USA LTD ANY AND ALL INFORMATION CONTAINED HEREIN SHALL NOT BE USED BY ANY OTHER PERSON OR COMPANY WITHOUT THE EXPRESSED WRITTEN CONSENT OF NEWMAT USA LTD. THE DRAWINGS MAY HAVE BEEN BASED ON CONSTRUCTION DRAWINGS NOT PREPARED BY NEWMAT USA LTD THEREFORE MAY NOT REPRESENT THE CONDITIONS AS CONSTRUCTED AT THAT TIME.

<b>NEWMAT</b> <b>NORTHEAST CORP.</b>  <b>STRETCH CEILING SYSTEMS</b>	#	REVISIONS:	Drawn By	Checked By	81 MAHAN STREET, WEST BABYLON, NY 11704 TEL. (631) 261 1498 FAX (631) 261 1756	Scale:	Drawn By:
	A	8/8/2013	R.K.		Drawing Title:	AS NOTED	R.K.
	B	10/10/2013	R.K.		Job Title:		Checked By:
	C	10/11/2013	R.K.		Customer Name:		
	D	10/15/2013	R.K.		1045 AVENUE OF THE AMERICAS NEW YORK, NY	Job Number:	Date:
E	10/21/2014	R.K.			13-000	8/2/2013	
						Drawing Number:	A-27