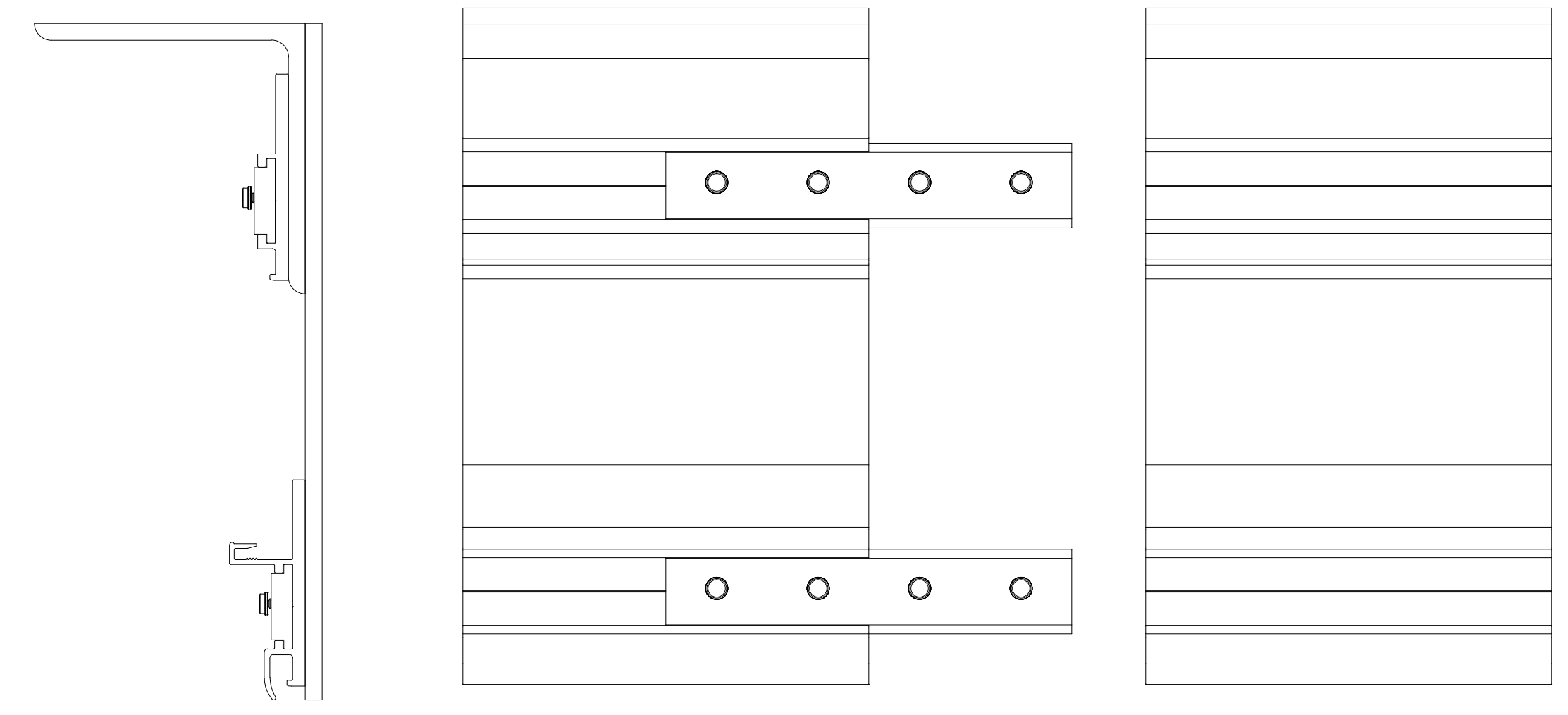
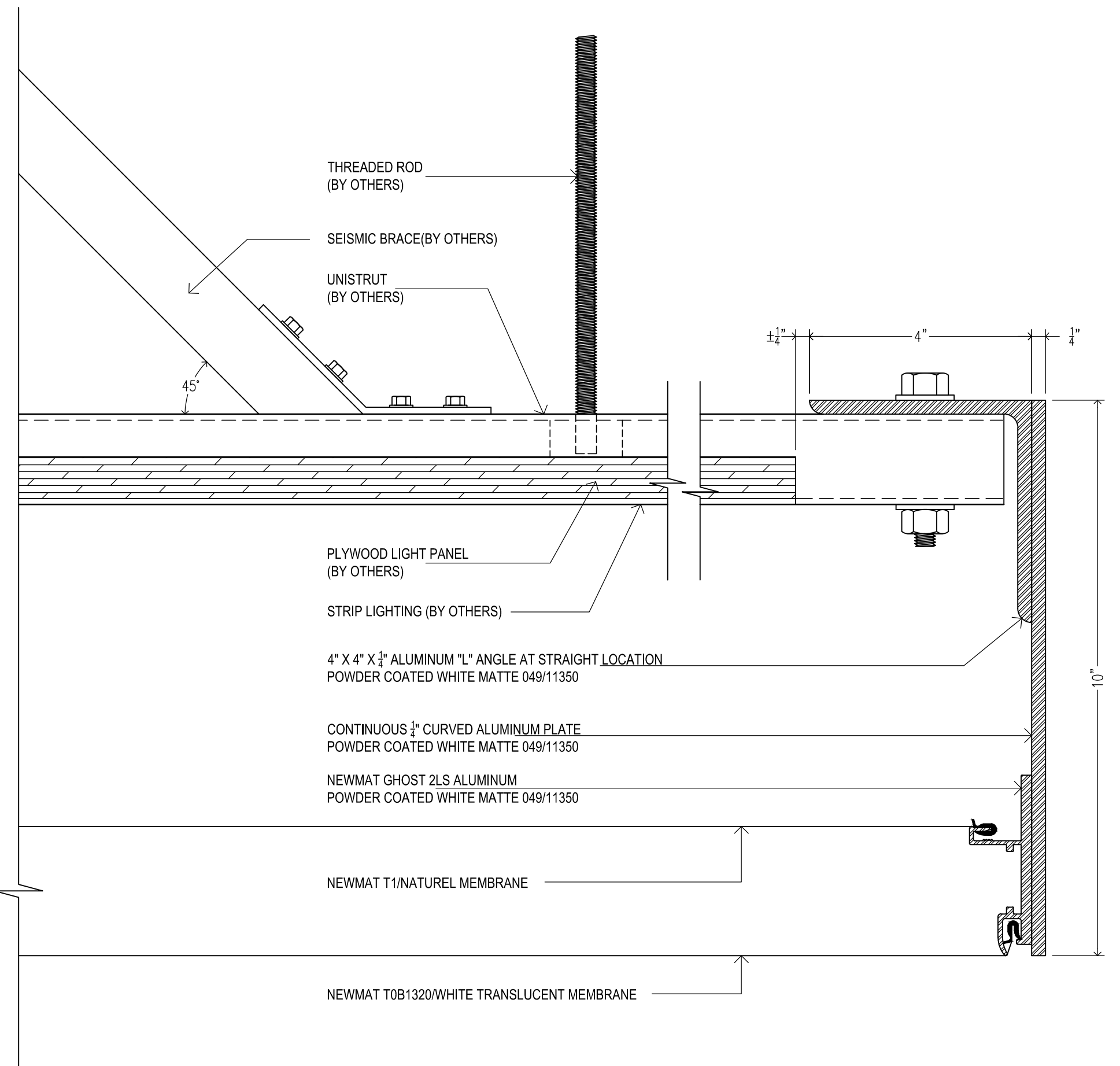


1 NEWMAT PARTIAL REFLECTED CEILING PLAN
SCALE: 1/4" = 1'-0"

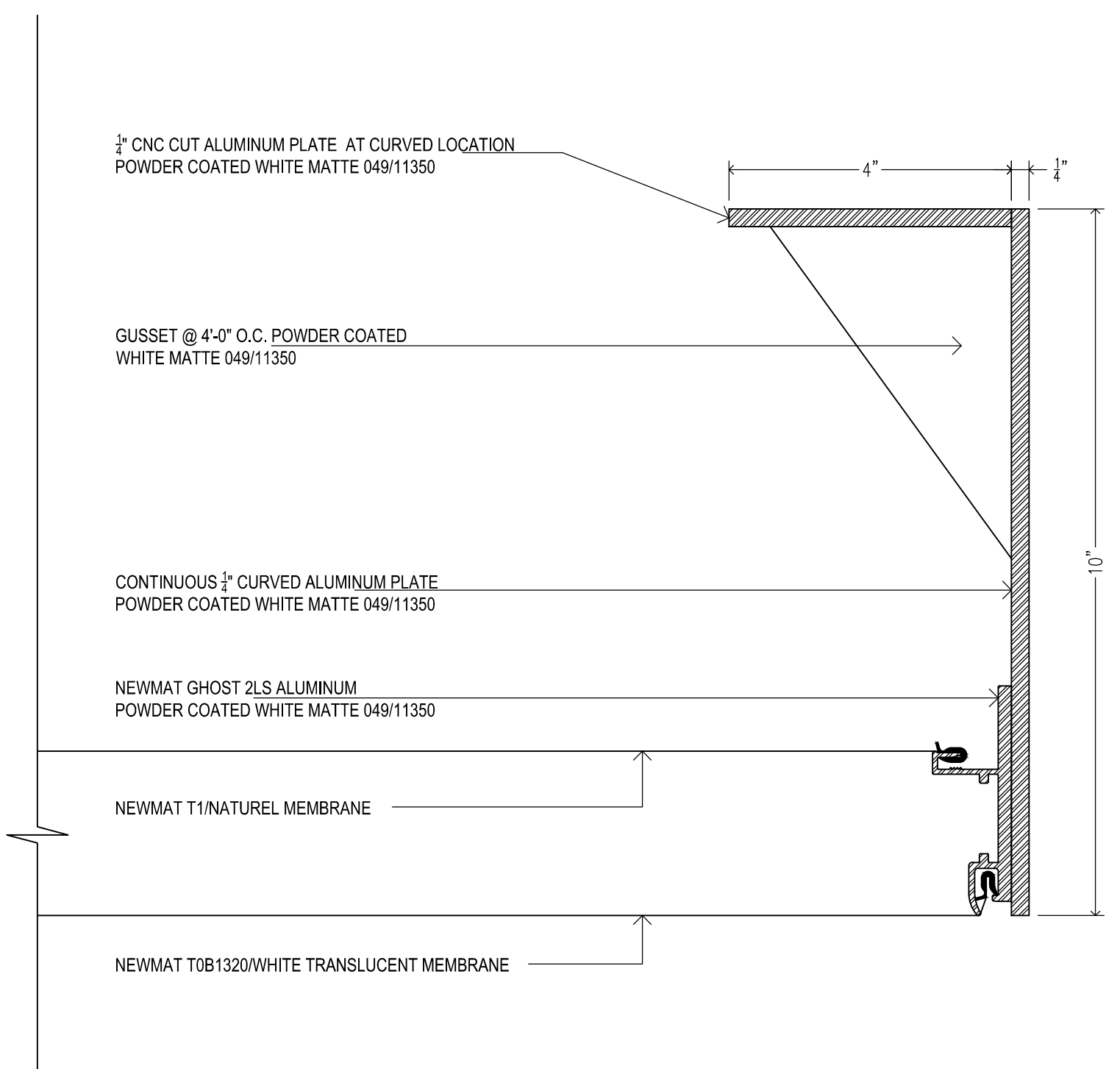


A JOINT SIDE VIEW
SCALE: 6" = 1'-0"

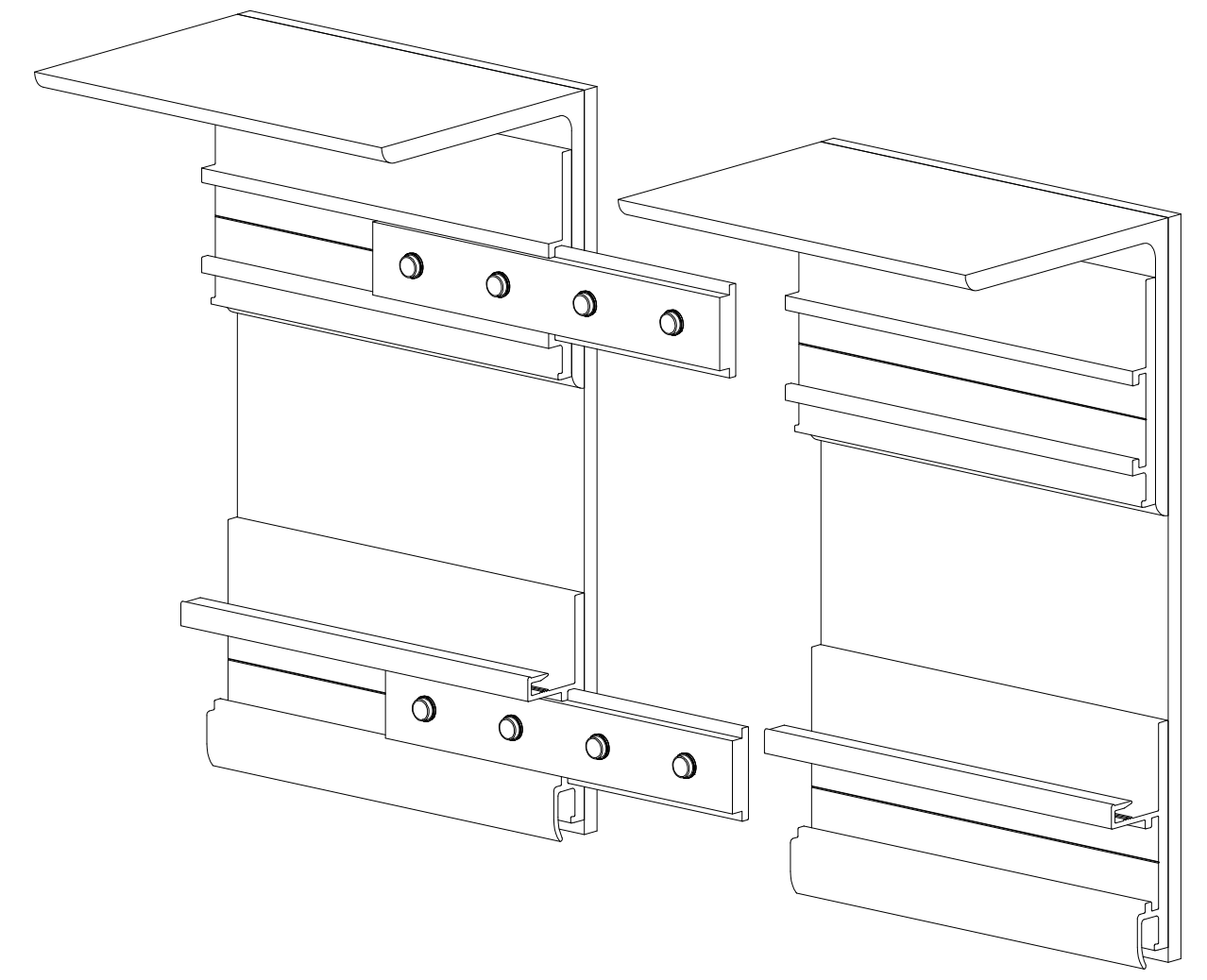
B JOINT FRONT VIEW
SCALE: 6" = 1'-0"



2 NEWMAT CEILING DETAIL AT STRAIGHT PERIMETER
SCALE: 6" = 1'-0"



3 NEWMAT CEILING DETAIL AT CURVED PERIMETER
SCALE: 6" = 1'-0"



C JOINT ISOMETRIC VIEW
SCALE: NOT TO SCALE

NOTES:
 1) ALL DIMENSIONS AND LOCATIONS MUST BE V.I.F. PRIOR TO NEWMAT FABRICATION AND INSTALLATION.
 2) ALL DRYWALL APPLICATIONS REQUIRE 12" CONTINUOUS 16GA (MINIMUM) METAL STRAPPING REINFORCEMENT BEHIND DRYWALL AT ALL NEWMAT ATTACHMENT LOCATIONS.
 3) ALL "BLOCKING BY OTHERS", MUST BE CONTINUOUS, STRAIGHT, LEVEL AND/OR PLUMB AND ABLE TO WITHSTAND 30LBS. PER LINEAR FOOT OF LATERAL TENSION WHICH WILL BE EXERTED BY EACH LAYER OF MEMBRANE.

NOTICE: THESE DRAWINGS WERE PRODUCED BY AND ARE THE SOLE PROPERTY OF NEWMAT USA LTD ANY AND ALL INFORMATION CONTAINED HEREIN SHALL NOT BE USED BY ANY OTHER PERSON OR COMPANY WITHOUT THE EXPRESSED WRITTEN CONSENT OF NEWMAT USA LTD. THE DRAWINGS MAY HAVE BEEN BASED ON CONSTRUCTION DRAWINGS NOT PREPARED BY NEWMAT USA LTD. THEREFORE MAY NOT REPRESENT THE CONDITIONS AS CONSTRUCTED AT THAT TIME.				81 MAHAN STREET, WEST BABYLON, NY 11704 TEL. (631) 261 1498 FAX (631) 261 1756		Scale: AS NOTED	Drawn By: R.K.
#	REVISIONS:	DATE	Drawn By	Checked By	Job Title:	Job Number:	Date:
A					PARTIAL RCP & DETAILS	13 000	9/16/2016
B					HCL AMERICA		
C					Customer Name:		
D					HCL AMERICA LAGUNA SOUTH CAMPUS		
E					14980 NEW 31ST WAY, 2ND FLOOR REDMOND, WA, 98052		

